

(As Harmonized with Development Partners)

**Supply and Delivery of School
Furniture for Elementary, Junior
and Senior High Schools under the
Basic Educational Facilities Fund
(BEFF) CY 2019 School Furniture
Program**

***Book 2
Technical Specifications***



Government of the Republic of the
Philippines

Education Facilities Division (EFD)

October 2019

Fifth Edition
August 2016

2019-10-AdmS4(042)-BIV-CB-030

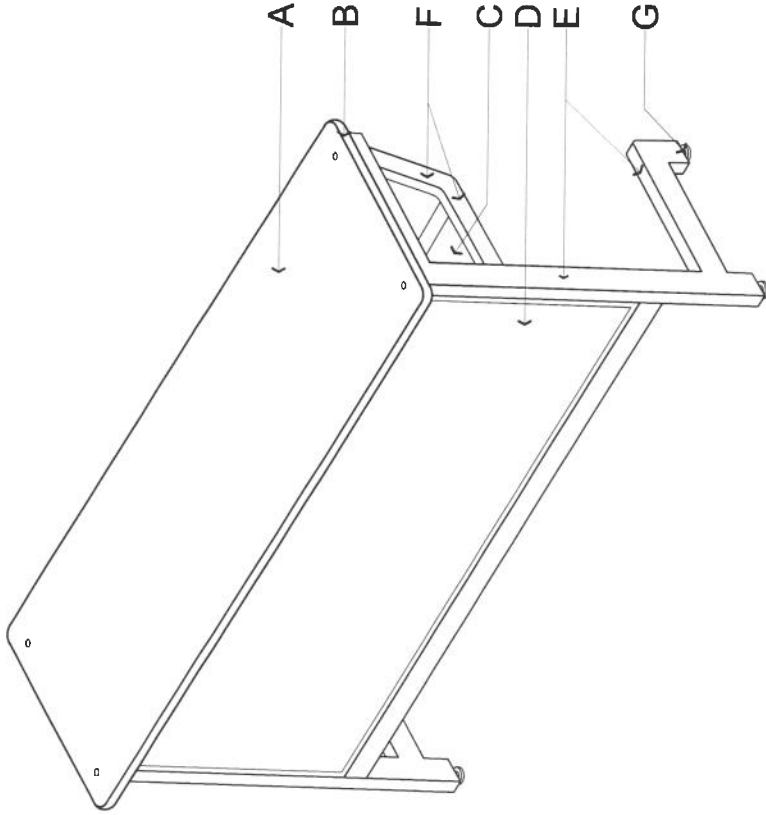
TECHNICAL SPECIFICATIONS OF STUDENT TABLE

MARK	COMPONENT	SPECIFICATIONS
A	TABLE TOP	18mm THK TOP BOARD WITH ROUND CORNERS (0.9mm THK HIGH PRESSURE WOOD GRAIN LAMINATE ON MARINE PLYWOOD)
B	EDGING	1mm THK PVC EDGING
C	SHELF	6mm THK MARINE PLYWOOD w/ 0.9mm HIGH PRESSURE WOOD GRAIN LAMINATE
D	FRONT COVER	6mm THK MARINE PLYWOOD w/ 0.9mm HIGH PRESSURE WOOD GRAIN LAMINATE
E	MAIN FRAME	25mmx50mmx2mm (1"x2") STEEL TUBULAR
F	SECONDARY FRAME	18mmx37mmx1mm (3/4"x1 1/2") STEEL TUBULAR
G	ADJUSTABLE LEVELER	12mmøx50mm (thread size) with 40mmø PLASTIC BASE
	FLAT BAR	25mm x 50mm x 4mm THK
	FINISH	REFER TO SCHEDULE OF FINISHES
	CONNECTION	WOOD TO STEEL: SCREW; RIVETS STEEL TO STEEL: FULL WELDING

SCHEDULE OF FINISHES

TOP BOARD	0.9mm THK HIGH PRESSURE WOOD GRAIN LAMINATE w/ 1.0mm THK PVC EDGING
FRONT COVER	0.9mm THK HIGH PRESSURE WOOD GRAIN LAMINATE w/ STEEL U-FRAME ON ALL SIDES / EDGES (SEE DETAILS 6 & 7)
SHELF	0.9mm THK HIGH PRESSURE WOOD GRAIN LAMINATE
STEEL TUBULAR	ALL SURFACE SHALL BE POWDER COATED (BLACK)

1 ISOMETRIC VIEW
1 SCALE - M

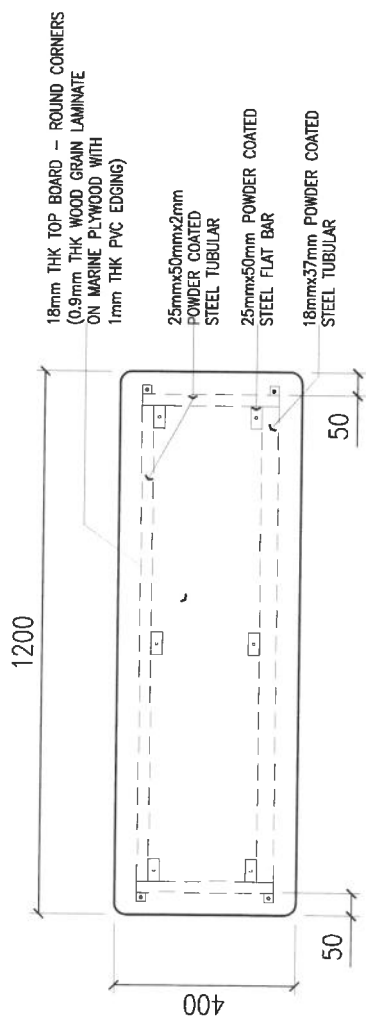


DIMENSIONS OF STUDENT TABLE (mm)

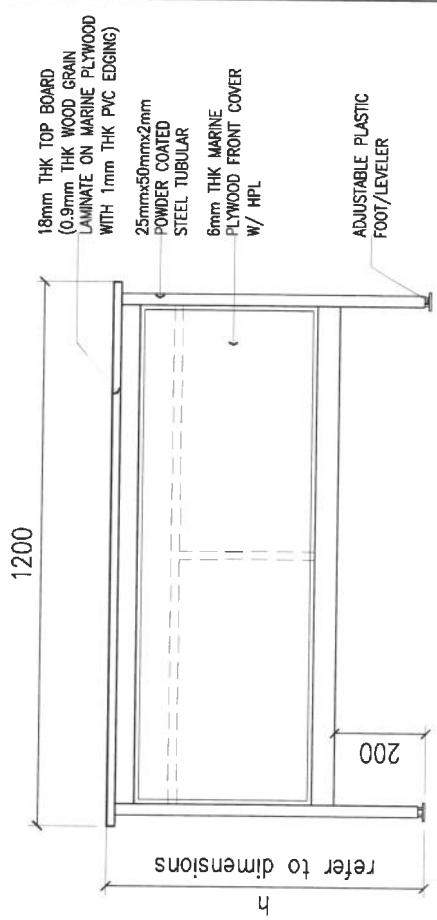
MARK	COMPONENT	DIMENSIONS	
		ELEMENTARY	SECONDARY
a	TABLE HEIGHT	670 (±10)	710 (±10)
b	TABLE LENGTH	1200	1200
c	TABLE WIDTH	400	400

PROJECT TITLE :

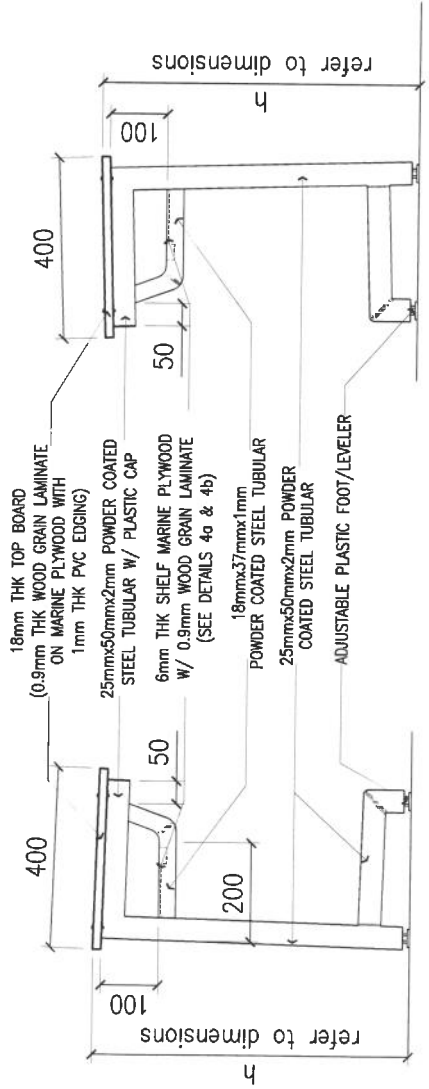
SHEET NO.:



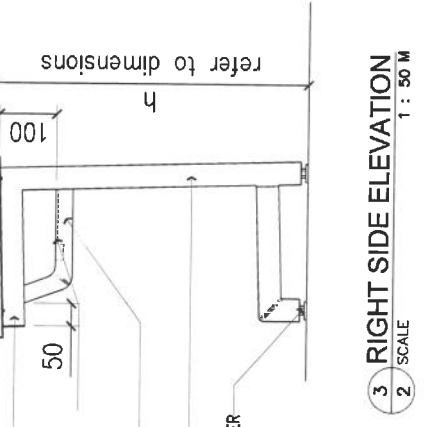
1 PLAN
2 SCALE 1 : 50 M



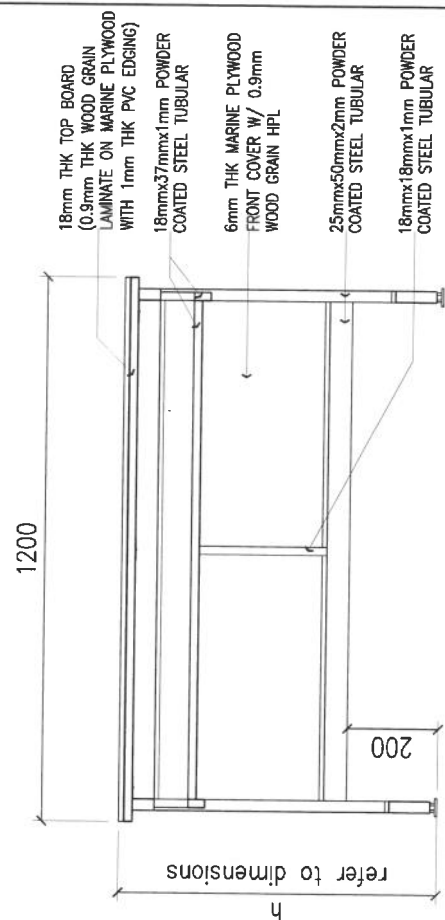
4 FRONT ELEVATION
2 SCALE 1 : 50 M



2 LEFT SIDE ELEVATION
2 SCALE 1 : 50 M



3 RIGHT SIDE ELEVATION
2 SCALE 1 : 50 M



5 REAR ELEVATION
2 SCALE 1 : 50 M

NOTE:
HPL = HIGH PRESSURE LAMINATE



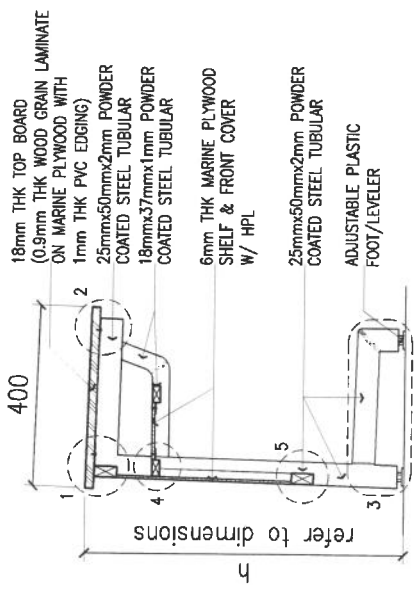
PROJECT TITLE :

TWO-SEATER STUDENT TABLE
(WOOD & STEEL)

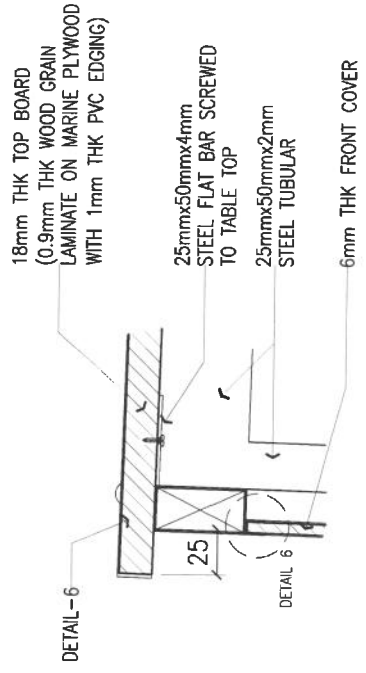
SHEET NO:

2 3

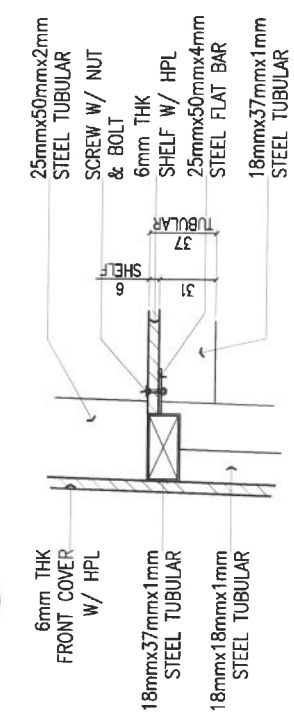
CP 2020



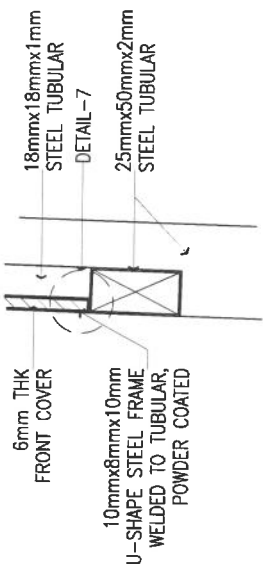
1 CROSS SECTION
SCALE 1 : 50 M



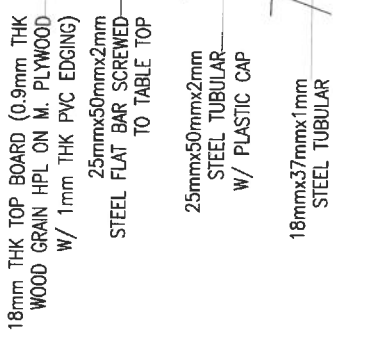
2 DETAIL - 1
SCALE 1 : 20 M



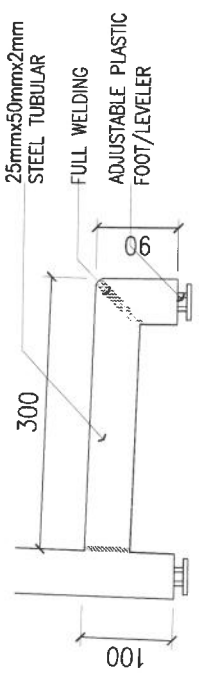
4 SHELF DETAIL - 1
DETAIL - 4a
SCALE 1 : 20 M



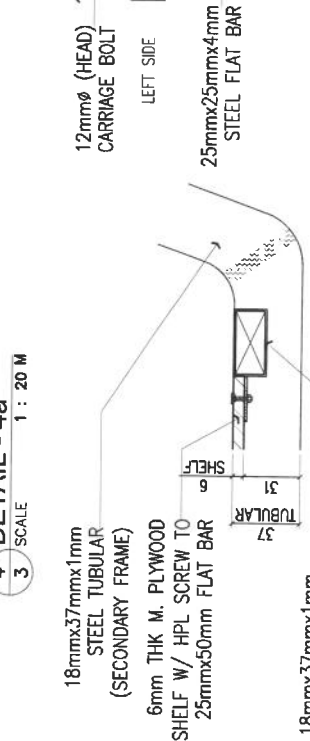
5 DETAIL - 5
SCALE 1 : 20 M



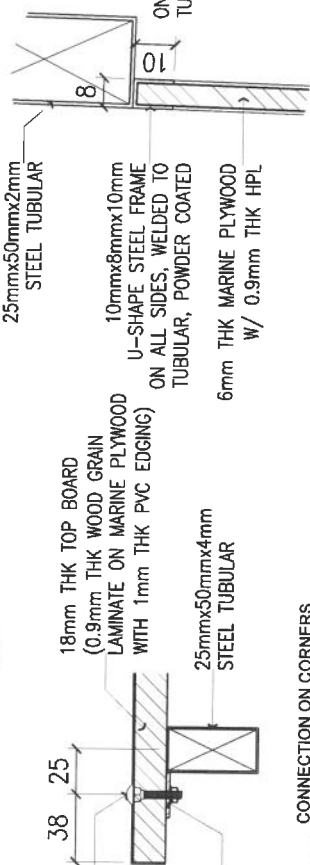
3 DETAIL - 2
SCALE 1 : 20 M



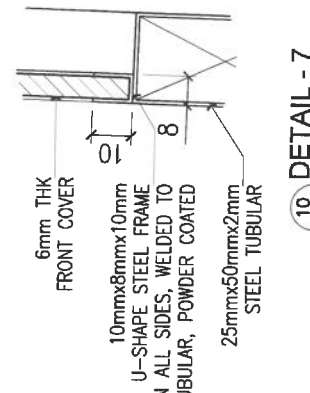
6 DETAIL - 3
SCALE 1 : 20 M



7 SHELF DETAIL - 2
DETAIL - 4b
SCALE 1 : 20 M

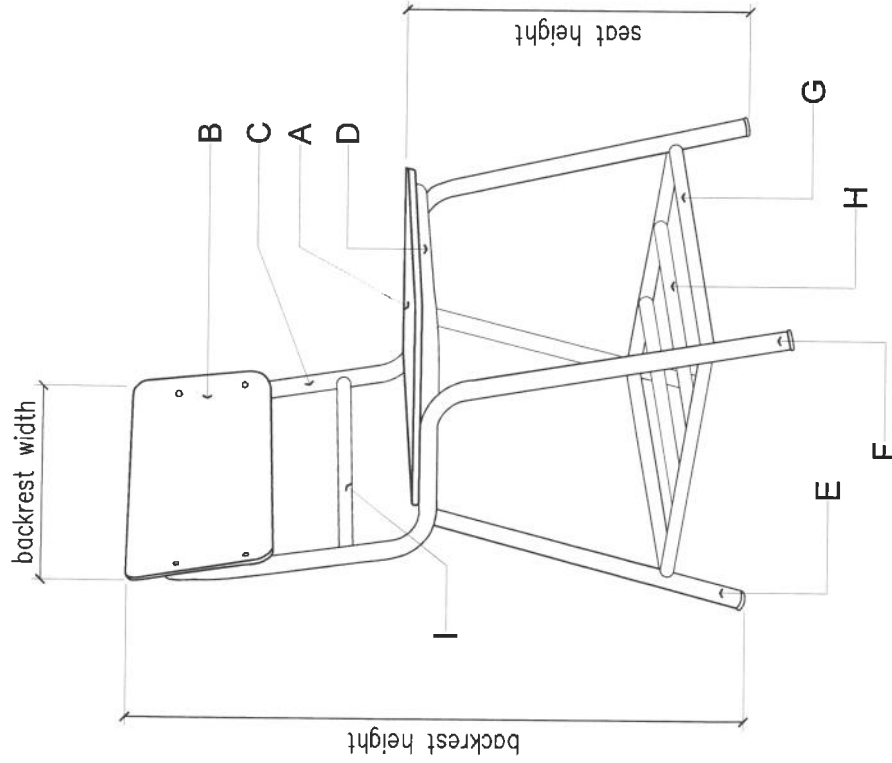


8 CONNECTION ON CORNERS
DETAIL - 8
SCALE 1 : 20 M



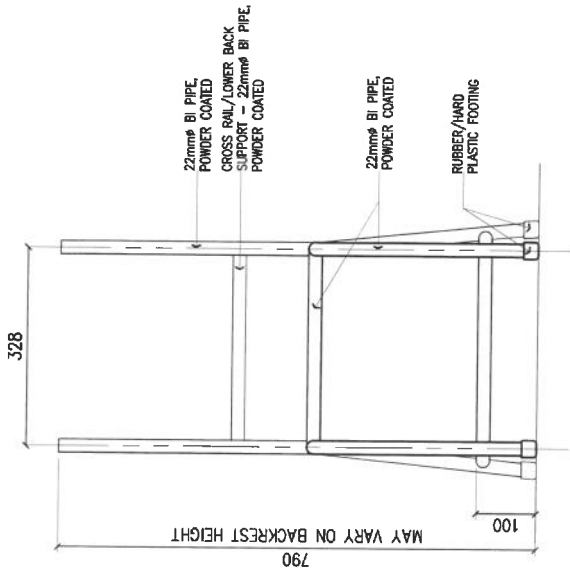
10 DETAIL - 7
SCALE 1 : 10 M

ABBREVIATIONS / NOTES:
HPL = HIGH PRESSURE LAMINATE
M. PLYWOOD = MARINE PLYWOOD

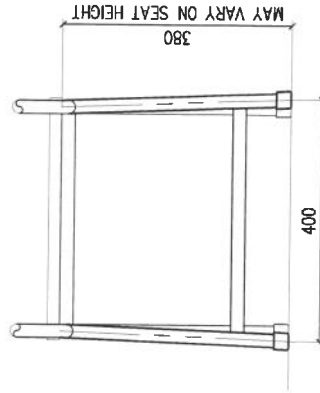


1 ISOMETRIC- STUDENT CHAIR
1 SCALE -- M

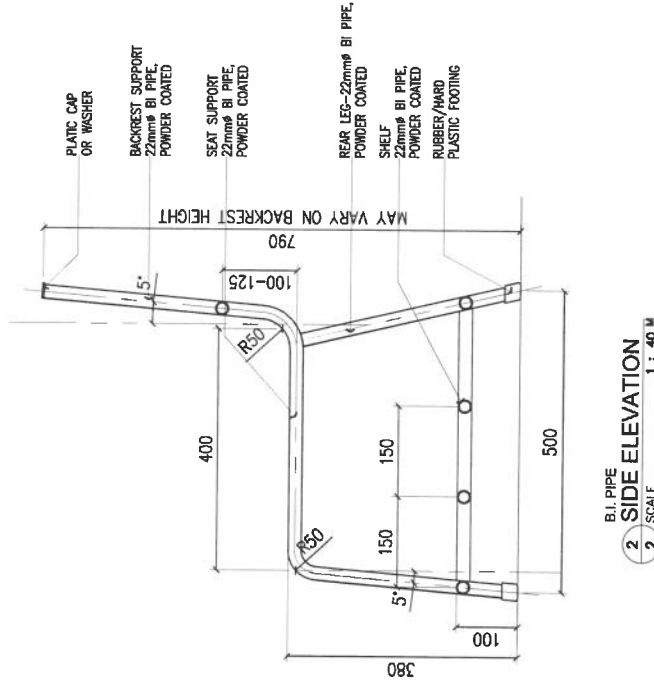
TECHNICAL SPECIFICATIONS OF STUDENT CHAIR		
MARK	COMPONENT	SPECIFICATIONS
A	SEAT	18mm THK MARINE PLYWOOD OR
B	BACKREST	18mm THK MARINE PLYWOOD OR
C	BACKREST SUPPORT	22mm ϕ B.I. PIPE
D	SEAT SUPPORT	22mm ϕ B.I. PIPE
E	BACK LEG	22mm ϕ B.I. PIPE
F	FRONT LEG	22mm ϕ B.I. PIPE
G	LEG SUPPORT	22mm ϕ B.I. PIPE
H	SHELF	22mm ϕ B.I. PIPE
I	CROSS RAIL / LOWER BACK SUPPORT	22mm ϕ B.I. PIPE
	PIPE END COVER/CAP	4mm THK RUBBER OR HARD PLASTIC
	CONNECTORS	
	WOOD & STEEL	6mm ϕ CARRIAGE ROUND HEAD NUT & BOLT 25mmx50mmx2mm STEEL FLAT BAR
SCHEDULE OF FINISHES		
MARINE PLYWOOD		0.9mm THK HIGH PRESSURE WOOD GRAIN LAMINATE w/ 1.0mm THK PVC EDGING
STEEL / BI PIPE		ALL SURFACE SHALL BE POWDER COATED (BLACK)
DIMENSIONS (mm)		
COMPONENT	ELEMENTARY	SECONDARY
SEAT HEIGHT	390 (± 10)	410 (± 10)
SEAT DEPTH	400 (± 10)	400 (± 10)
SEAT WIDTH	400 (± 10)	400 (± 10)
BACKREST HEIGHT	800 (± 10)	800 (± 10)
BACKREST WIDTH	400 (± 10)	400 (± 10)



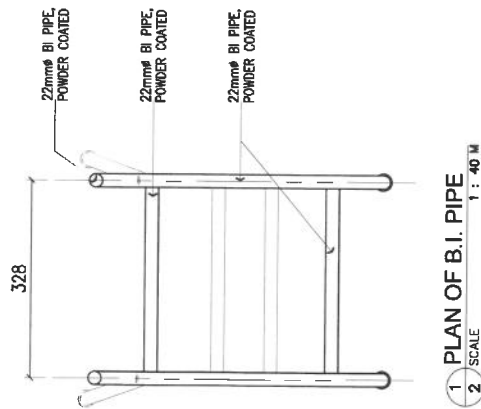
B.I. PIPE
3 FRONT ELEVATION
 SCALE 1 : 40 M



B.I. PIPE
4 REAR ELEVATION
 SCALE 1 : 40 M



B.I. PIPE
2 SIDE ELEVATION
 SCALE 1 : 40 M



1 PLAN OF B.I. PIPE
 SCALE 1 : 40 M

NOTE: CROSS RAIL HEIGHT/LOWER BACK SUPPORT MAY VARY DEPENDING ON BACKREST HEIGHT

DETAILS OF B.I. PIPE FRAME

PROJECT TITLE :

SHEET CONTENTS:
 DETAILS OF CHAIR FRAME

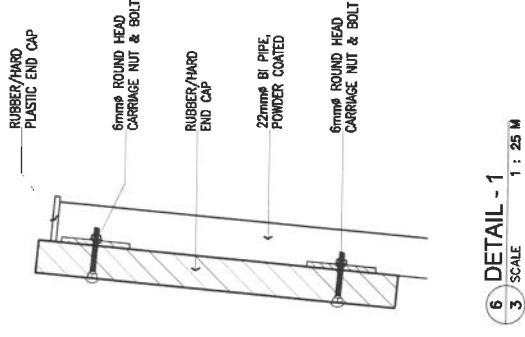
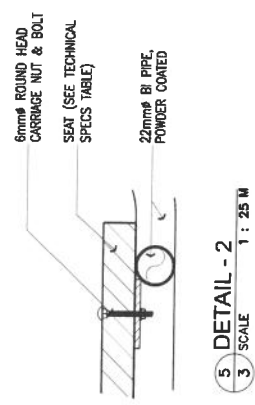
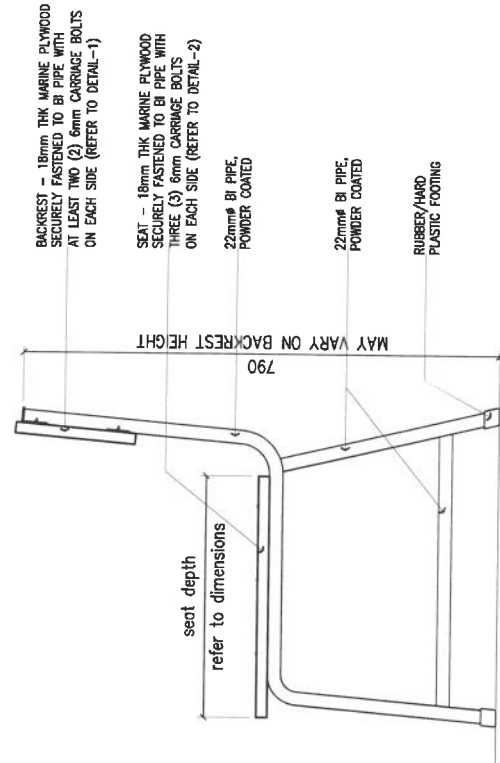
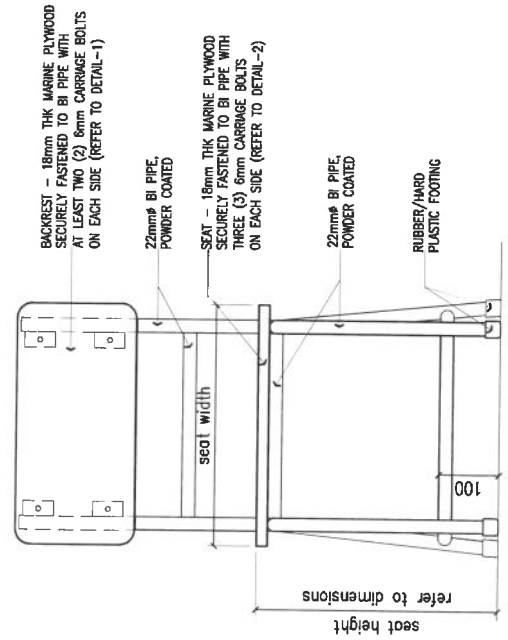
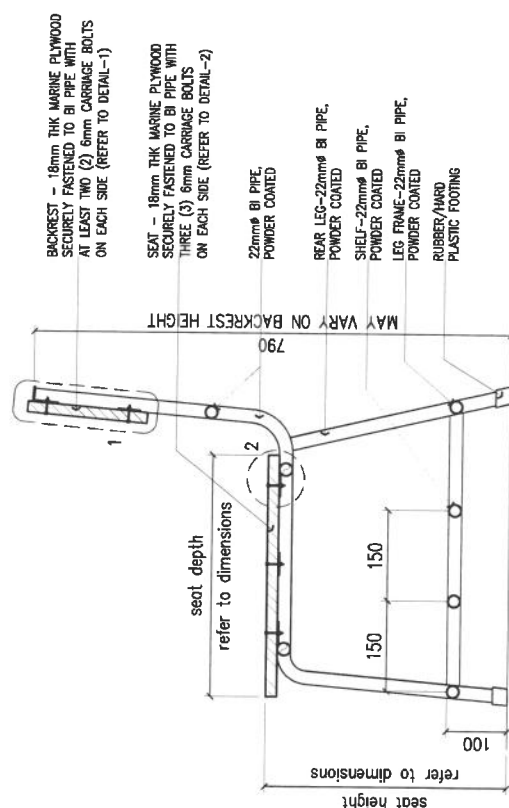
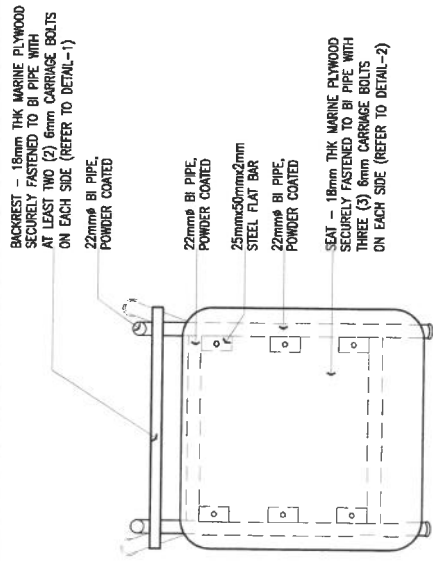
SHEET NO:

2

CY 2020

STUDENT CHAIR
 FOR TWO-SEATER TABLE

4



DETAILS FOR WOOD & STEEL STUDENT CHAIR

NOTE:
CROSS RAIL HEIGHT/LOWER BACK SUPPORT MAY VARY DEPENDING ON BACKREST HEIGHT

PROJECT TITLE : DepEd DEPARTMENT OF EDUCATION EDUCATION FACILITIES DIVISION MERRILL AVENUE, PASIG CITY	SHEET CONTENTS: STUDENT CHAIR - WOOD & STEEL	SHEET NO.:
		3
CY 2020	4	3

STUDENT CHAIR FOR TWO-SEATER TABLE

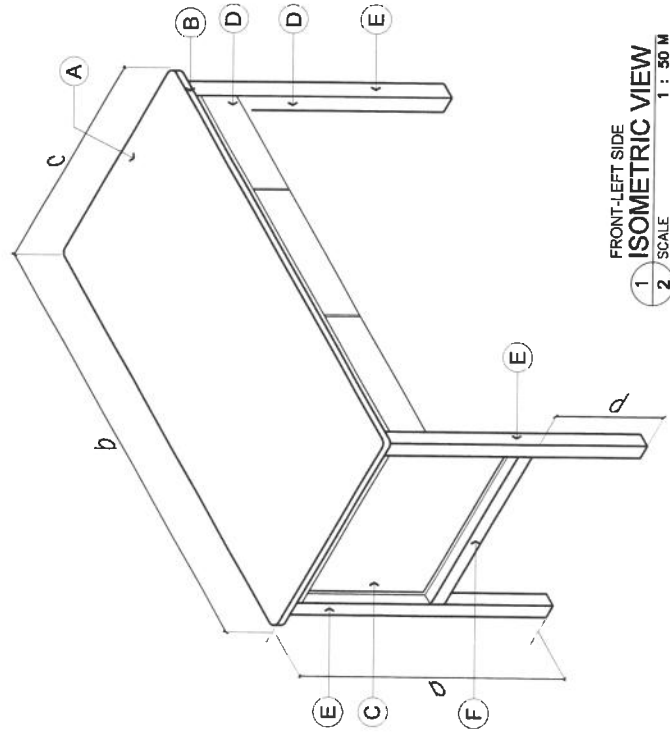
DIMENSIONS OF TEACHER'S TABLE (mm)		
MARK	COMPONENT	REMARKS
a	TABLE HEIGHT	750
b	TABLE LENGTH	1200
c	TABLE WIDTH	600
d	SIDINGS/BACKING HEIGHT	300
SCHEDULE OF FINISHES		
TABLE TOP & SIDINGS		HIGH PRESSURE LAMINATE (HPL) WITH 1mm THK PVC EDGING
DRAWERS		(REFER TO DETAILS - SHEET NO. 6)
STEEL		POWDER COATED; BLACK - GLOSSY

TECHNICAL SPECIFICATIONS OF TEACHER'S TABLE		
MARK	COMPONENT	REMARKS
A	TABLE TOP	18mm THK MARINE PLYWOOD
B	EDGING	1mm THK THK PVC EDGING
C	SIDING/BACKING	6mm THK MARINE PLYWOOD
D	DRAWER	(REFER TO DETAILS - SHEET NO. 6-7)
E	LEG	2mmx38mmx38mm STEEL TUBULAR
F	FRAME	2mmx38mmx38mm STEEL TUBULAR (MAIN) 2mmx25mmx25mm STEEL TUBULAR (SECONDARY)
	FOOT/LEG END CAP	4mm THK BLACK HARD PLASTIC
	DRAWER SUPPORT	2mmx18mmx18mm STEEL ANGLE BAR
		2mmx25mm STEEL FLAT BAR
	DRAWER SLIDE RAIL	14"x45mm BALL BEARING SLIDE RAIL
	CONNECTORS	2mmx25mmx25mm STEEL FLAT BAR WITH SCREW: 3mm ϕ , 12mm LENGTH
	U-FRAME	1mm THKx8mmx8mm STEEL U-FRAME

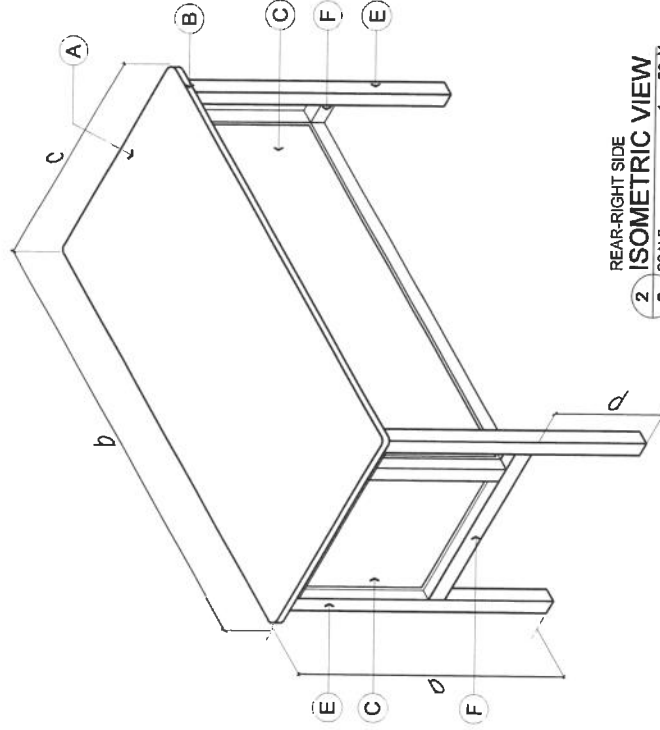
ALL CORNERS SHALL BE ROUNDED:
TABLE TOP CORNERS SHALL HAVE
25mm RADII

ALL STEEL CONNECTIONS SHALL BE
FULLY WELDED

SHALL BE ON FRONT COVER AND SIDINGS



FRONT-LEFT SIDE
1 ISOMETRIC VIEW
SCALE 1 : 50 M



REAR-RIGHT SIDE
2 ISOMETRIC VIEW
SCALE 1 : 50 M

PROJECT TITLE :

REPUBLIC OF THE PHILIPPINES

DepEd
DEPARTMENT OF EDUCATION
EDUCATION FACILITIES DIVISION
MERALCO AVENUE, PASIG CITY

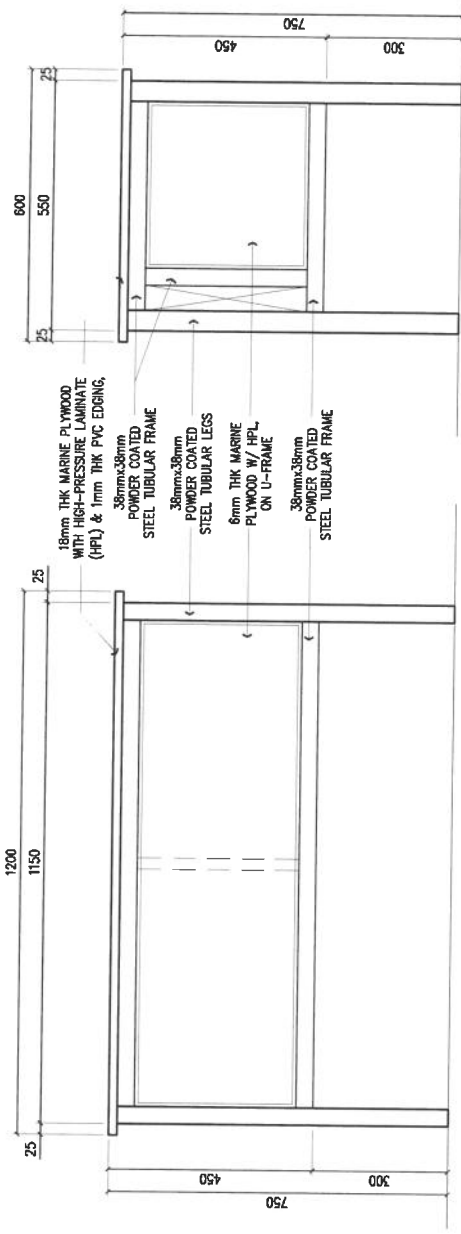
DESIGN OF CLASSROOM
TEACHER'S TABLE
(WOOD & STEEL)

SHEET NO.:

1

7

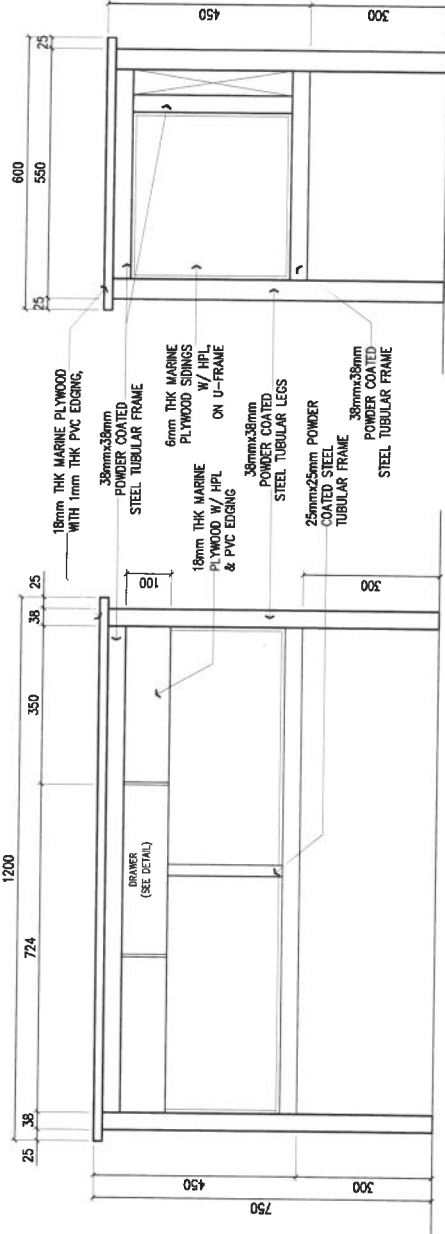
CY 2019



2 FRONT ELEVATION
SCALE 1 : 40 M

3 RIGHT-SIDE ELEVATION
SCALE 1 : 40 M

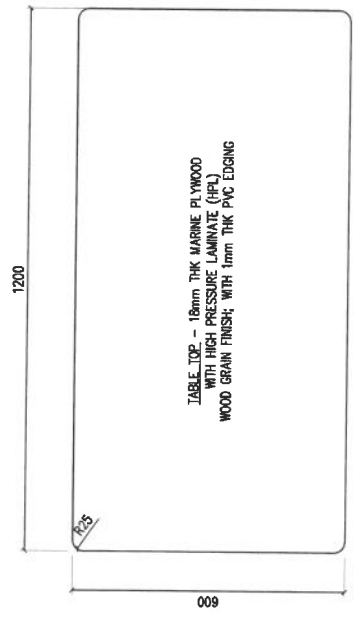
- 18mm THK MARINE PLYWOOD WITH HIGH-PRESSURE LAMINATE (HPL) & 1mm THK PVC EDGING,
- 38mmx38mm POWDER COATED STEEL TUBULAR FRAME
- 38mmx38mm POWDER COATED STEEL TUBULAR LEGS
- 6mm THK MARINE PLYWOOD W/ HPL ON U-FRAME
- 38mmx38mm POWDER COATED STEEL TUBULAR FRAME



4 REAR ELEVATION
SCALE 1 : 40 M

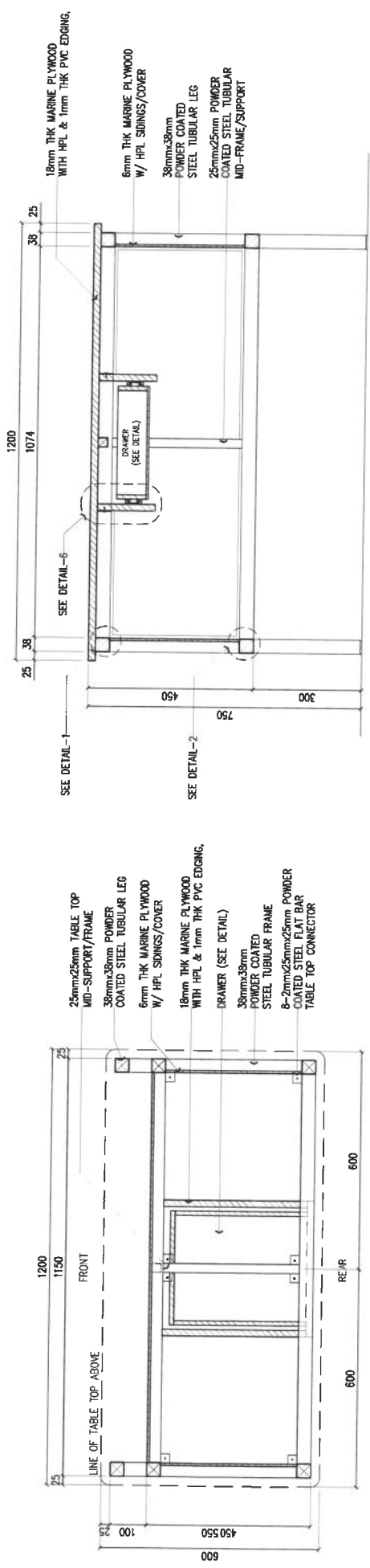
5 LEFT-SIDE ELEVATION
SCALE 1 : 40 M

- 18mm THK MARINE PLYWOOD WITH 1mm THK PVC EDGING,
- 38mmx38mm POWDER COATED STEEL TUBULAR FRAME
- 6mm THK MARINE PLYWOOD SOINGS W/ HPL ON U-FRAME
- 18mm THK MARINE PLYWOOD W/ HPL & PVC EDGING
- 38mmx38mm POWDER COATED STEEL TUBULAR LEGS
- 25mmx25mm POWDER COATED STEEL TUBULAR FRAME
- 38mmx38mm POWDER COATED STEEL TUBULAR FRAME

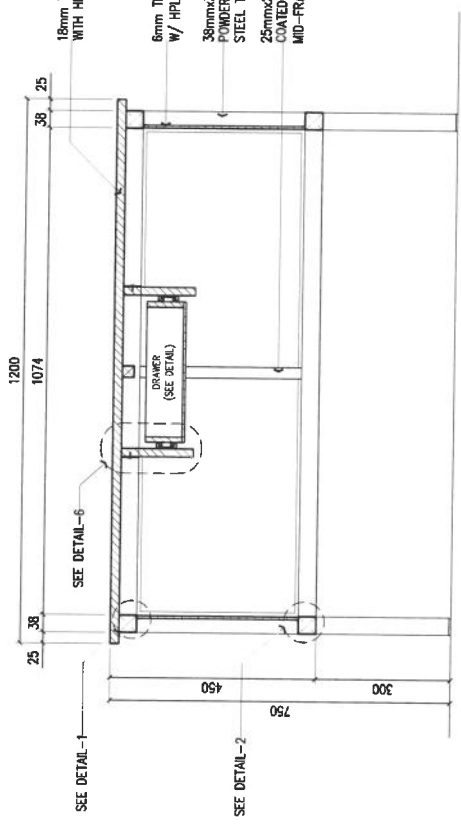


1 PLAN
SCALE 1 : 40 M

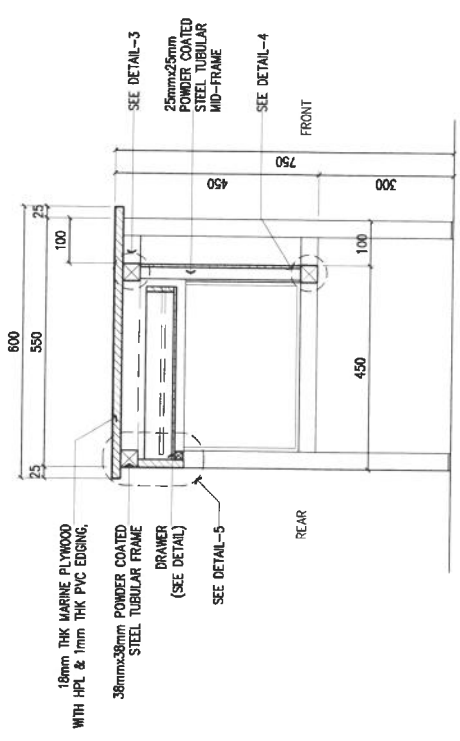
TABLE TOP - 18mm THK MARINE PLYWOOD WITH HIGH PRESSURE LAMINATE (HPL) WOOD GRAIN FINISH; WITH 1mm THK PVC EDGING



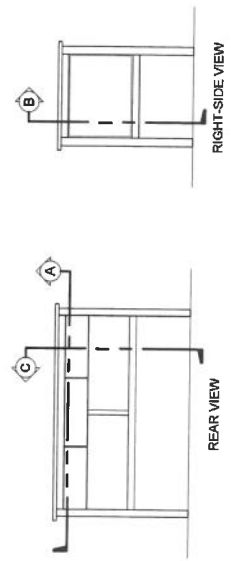
1 SECTION THRU-A
3 SCALE
1 : 40 M



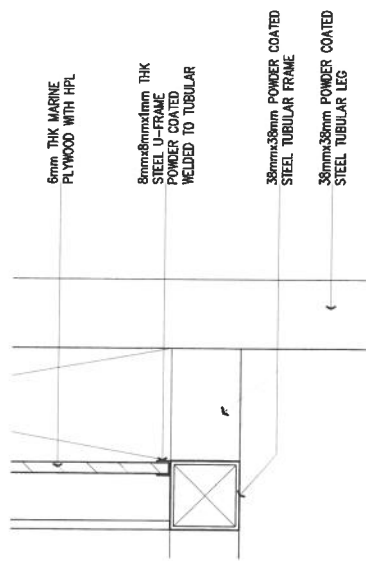
2 SECTION THRU-B
3 SCALE
1 : 40 M



3 SECTION THRU-C
3 SCALE
1 : 40 M

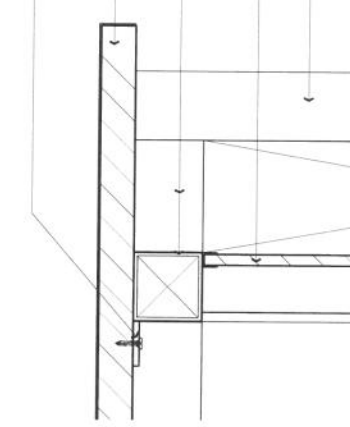


KEY (ELEVATION)



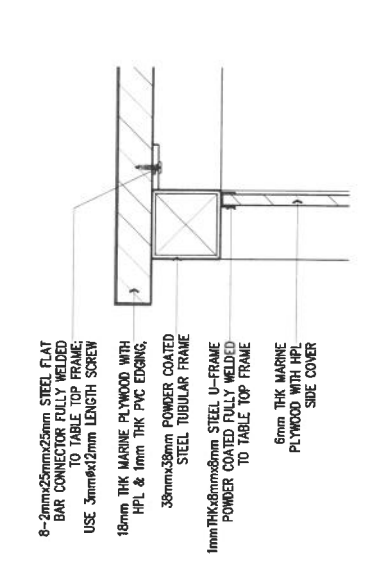
1
4

DETAIL-1
SCALE 1 : 10 M



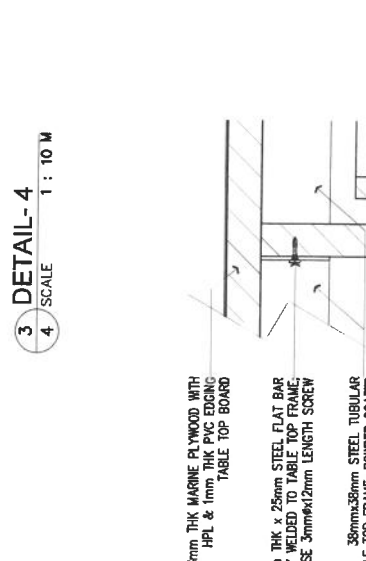
2
4

DETAIL-2
SCALE 1 : 10 M



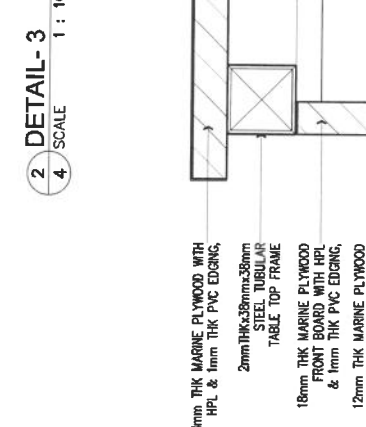
3
4

DETAIL-3
SCALE 1 : 10 M



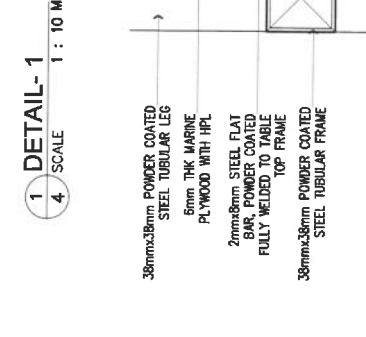
4
4

DETAIL-4
SCALE 1 : 10 M



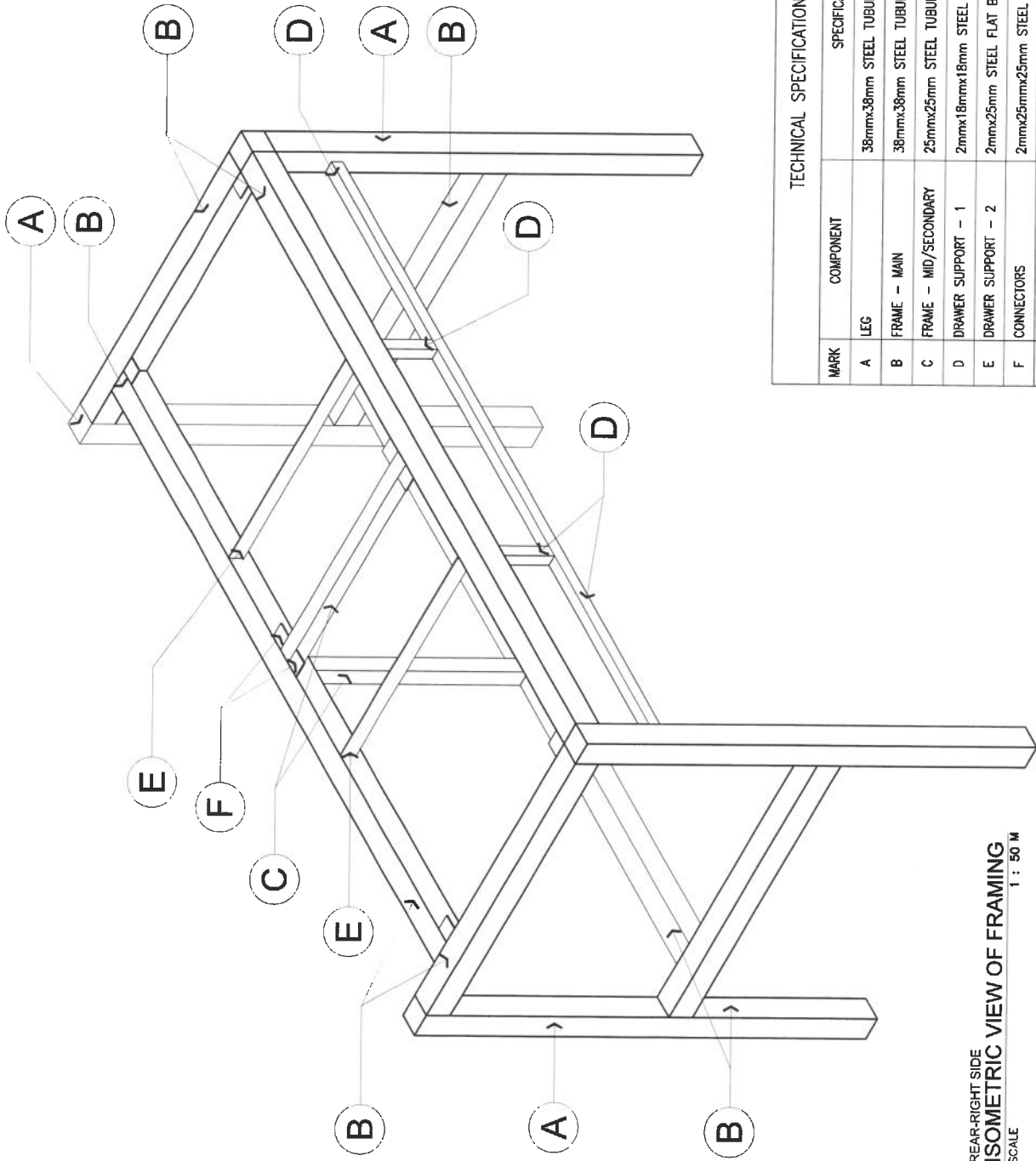
5
4

DETAIL-5
SCALE 1 : 10 M



6
4

DETAIL-6
SCALE 1 : 10 M



REAR-RIGHT SIDE
 1 ISOMETRIC VIEW OF FRAMING
 5 SCALE 1 : 50 M

TECHNICAL SPECIFICATIONS OF STEEL COMPONENTS			
MARK	COMPONENT	SPECIFICATIONS	REMARKS
A	LEG	38mmx38mm STEEL TUBULAR	
B	FRAME - MAIN	38mmx38mm STEEL TUBULAR	
C	FRAME - MID/SECONDARY	25mmx25mm STEEL TUBULAR	
D	DRAWER SUPPORT - 1	2mmx18mmx18mm STEEL TUBULAR	
E	DRAWER SUPPORT - 2	2mmx25mm STEEL FLAT BAR	
F	CONNECTORS	2mmx25mmx25mm STEEL FLAT BAR	
	FINISH	POWDER COATED, GLOSSY BLACK	

PROJECT TITLE :

REPUBLIC OF THE PHILIPPINES



DESIGN OF CLASSROOM
 TEACHER'S TABLE
 (WOOD & STEEL)

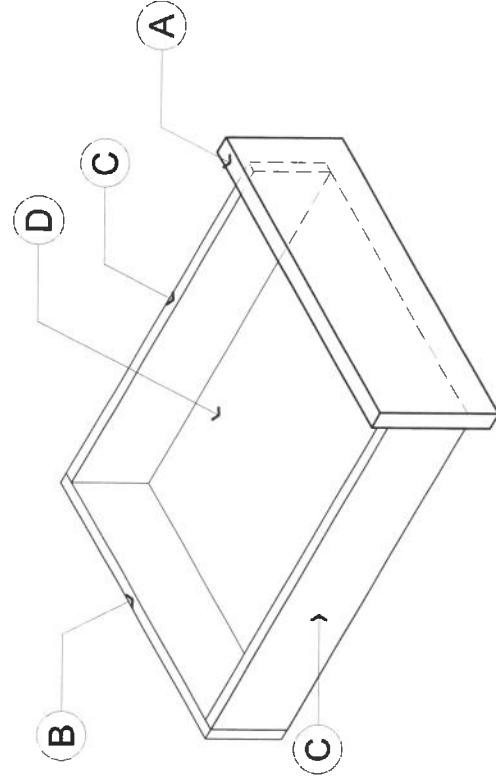
SHEET NO.:

5
7

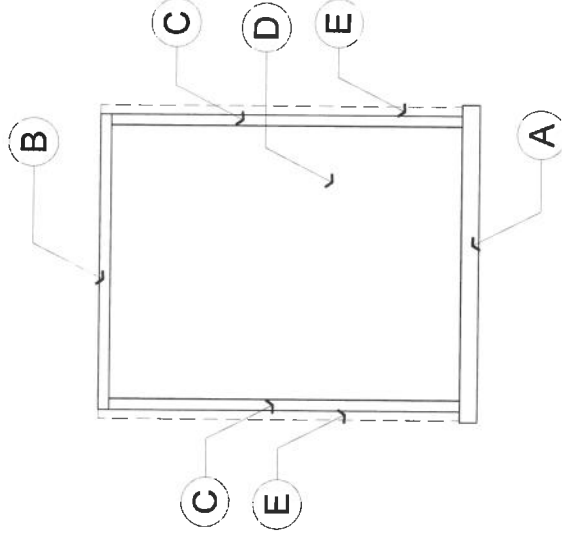
CY 2019

TECHNICAL SPECIFICATIONS OF DRAWERS			
MARK	COMPONENT	SPECIFICATIONS	REMARKS
A	FRONT BOARD	18mm THK MARINE PLYWOOD WITH HIGH PRESSURE LAMINATE (HPL) & 1mm THK PVC EDGING	FOR PAINT FINISH, REFER TO PAINTING SCHEDULE
B	BACK BOARD	12mm THK MARINE PLYWOOD, PAINTED FINISH WITH 1mm PVC EDGING ON TOP EDGE ONLY	
C	SIDE BOARDS	12mm THK MARINE PLYWOOD, PAINTED FINISH WITH 1mm PVC EDGING ON TOP EDGE ONLY	
D	BASE BOARD	6mm MARINE PLYWOOD, PAINTED FINISH	
E	DRAWER GUIDE / RUNNER	14"x45mm BALL BEARING SLIDE RAIL	

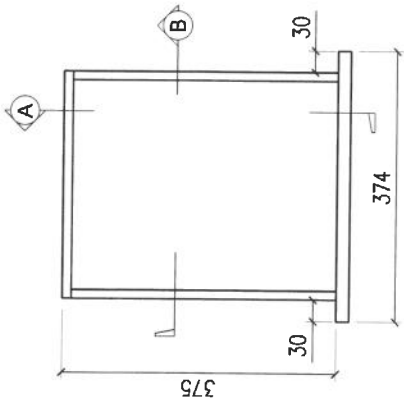
PAINTING SCHEDULE	
SANDING	ALL SURFACE TO BE COATED SHALL BE SMOOTHLY SANDED
1st COAT	OIL WOOD STAIN - OAK FULL COLOR (4 COATS)
INTERMEDIATE COAT	LACQUER SANDING SEALER (2 COATS)
TOP COAT	CLEAR GLOSS LACQUER (2 COATS)



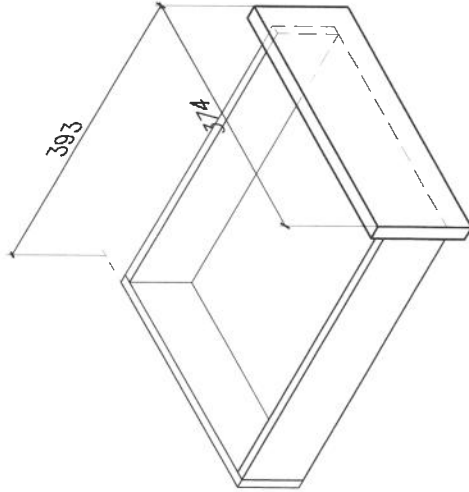
KEY- ISOMETRIC VIEW



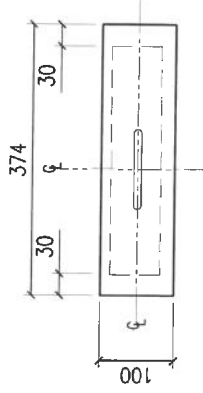
KEY- TOP VIEW



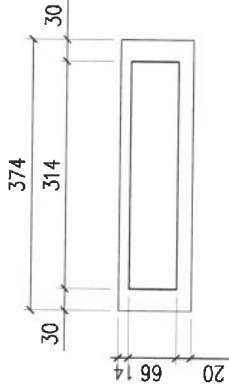
1 PLAN
SCALE 1 : 25 M



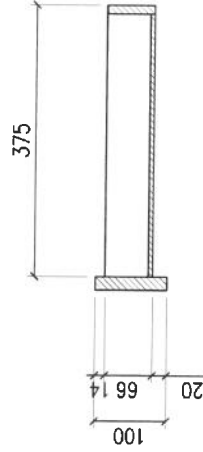
2 ISOMETRIC VIEW
SCALE 1 : 25 M



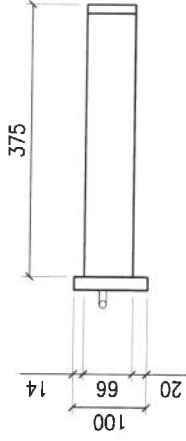
3 FRONT VIEW
SCALE 1 : 25 M



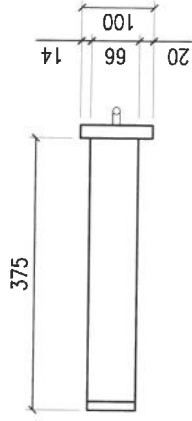
5 REAR VIEW
SCALE 1 : 25 M



7 SECTION THRU-A
SCALE 1 : 25 M



4 RIGHT-SIDE VIEW
SCALE 1 : 25 M



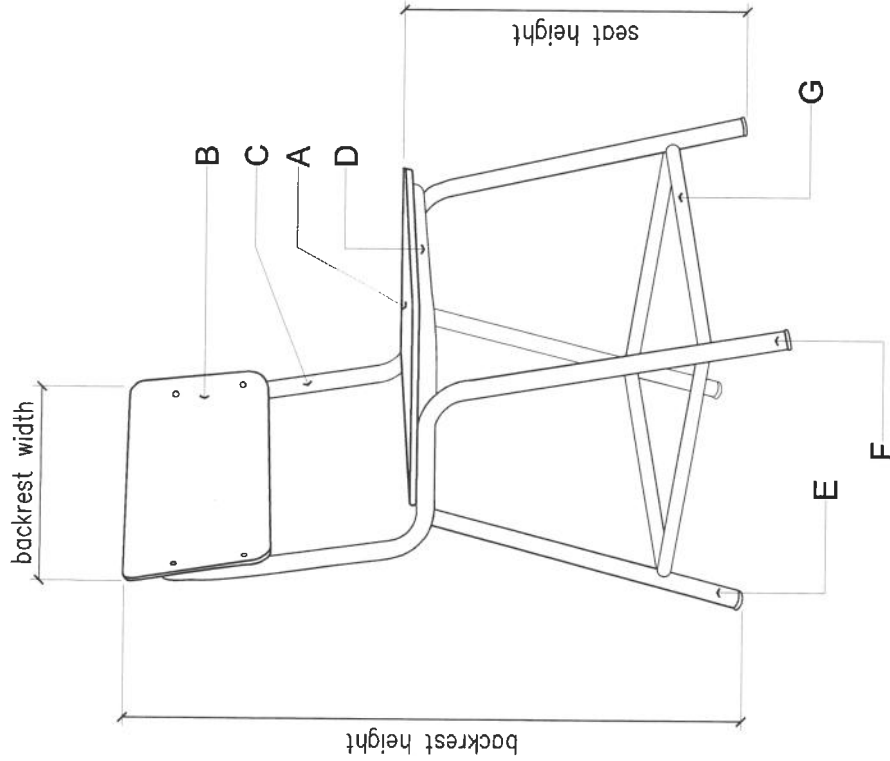
6 LEFT-SIDE VIEW
SCALE 1 : 25 M



8 SECTION THRU-B
SCALE 1 : 25 M

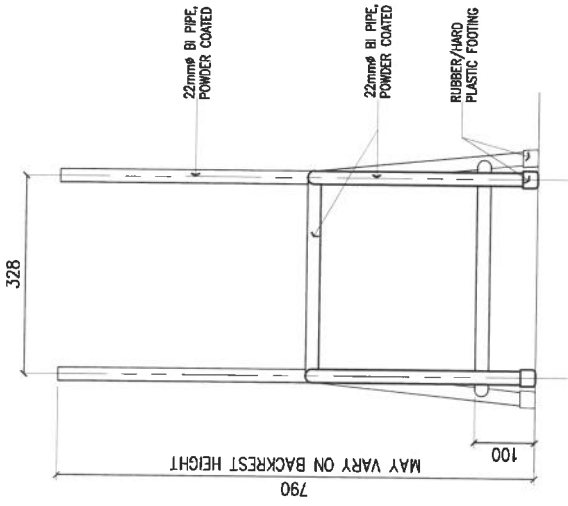
DETAIL OF DRAWER



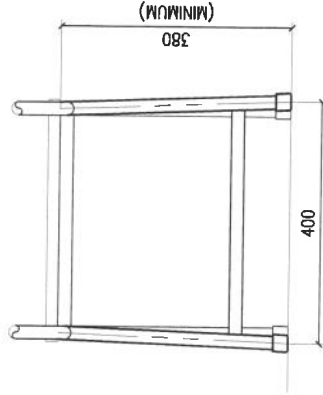


1 ISOMETRIC- TEACHER'S CHAIR
1 SCALE - M

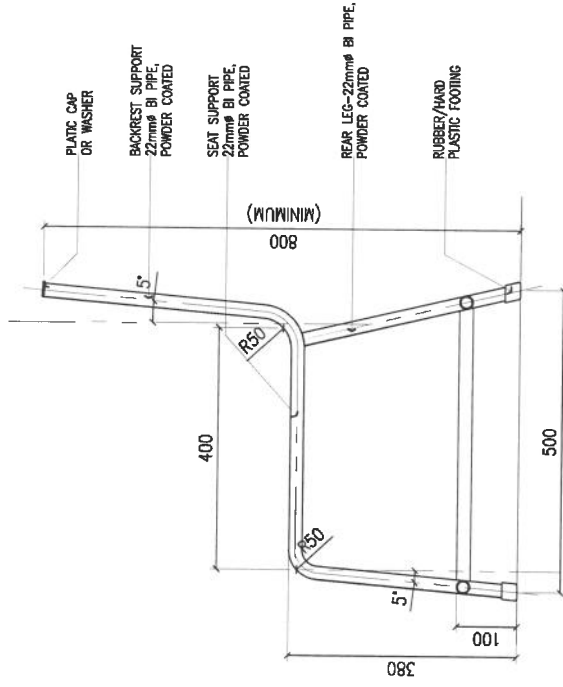
TECHNICAL SPECIFICATIONS OF TEACHER'S CHAIR		
MARK	COMPONENT	SPECIFICATIONS
A	SEAT	18mm THK MARINE PLYWOOD
B	BACKREST	18mm THK MARINE PLYWOOD
C	BACKREST SUPPORT	22mm \varnothing B.I. PIPE
D	SEAT SUPPORT	22mm \varnothing B.I. PIPE
E	BACK LEG	22mm \varnothing B.I. PIPE
F	FRONT LEG	22mm \varnothing B.I. PIPE
G	LEG SUPPORT	22mm \varnothing B.I. PIPE
	PIPE END COVER/CAP	2mm THK RUBBER OR HARD PLASTIC
	CONNECTORS	
	WOOD & STEEL	6mm \varnothing CARRIAGE ROUND HEAD NUT & BOLT
SCHEDULE OF FINISHES		
MARINE PLYWOOD		HIGH PRESSURE LAMINATE WITH 1mm THK PVC EDGING (FINISH SURFACE SHALL BE EVEN & WITH NO BUBBLES)
STEEL / BI PIPE		ALL SURFACES SHALL BE POWDER COATED (BLACK)
DIMENSIONS OF TEACHER'S CHAIR (mm)		
COMPONENT	DIMENSIONS (mm)	
SEAT HEIGHT	440 (± 10)	
SEAT DEPTH	400 (± 10)	
SEAT WIDTH	400 (± 10)	
BACKREST HEIGHT	850 (± 10)	
BACKREST WIDTH	400 (± 10)	



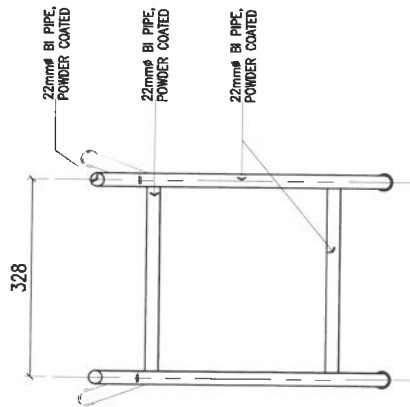
B.I. PIPE
3 FRONT ELEVATION
 SCALE 1 : 40 M



B.I. PIPE
4 REAR ELEVATION
 SCALE 1 : 40 M



B.I. PIPE
2 SIDE ELEVATION
 SCALE 1 : 40 M



1 PLAN OF B.I. PIPE
 SCALE 1 : 40 M

DETAILS OF B.I. PIPE FRAME

PROJECT TITLE :

REPUBLIC OF THE PHILIPPINES
DepEd
 DIVISION OFFICE
 EDUCATION PLATES DIVISION
 MERRILL AVENUE, PARK CITY



SHEET CONTENTS:

DETAILS OF B.I. PIPE

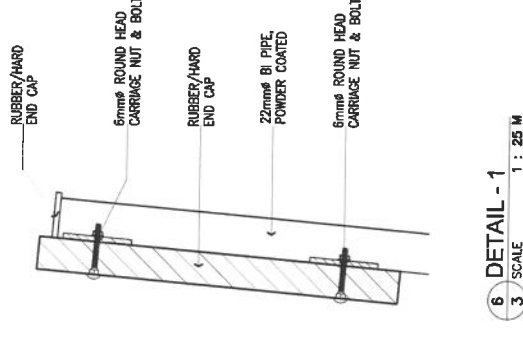
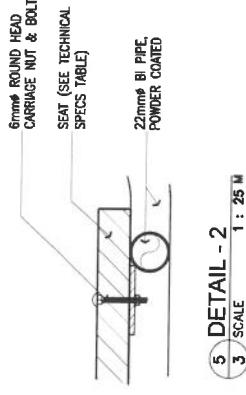
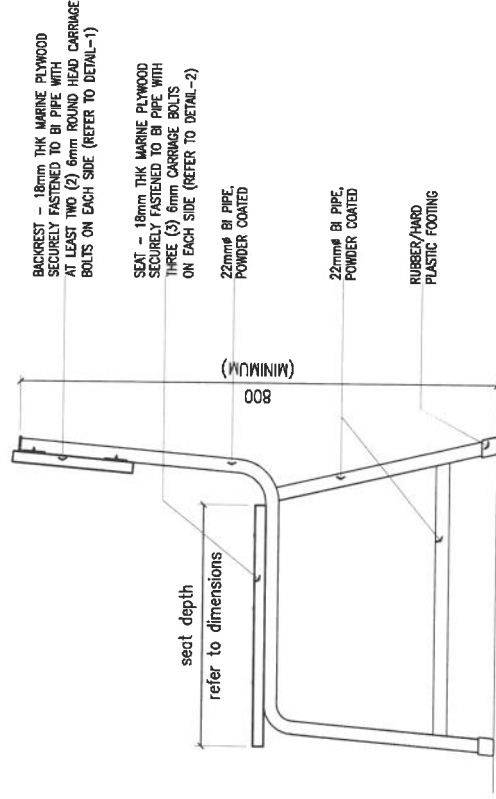
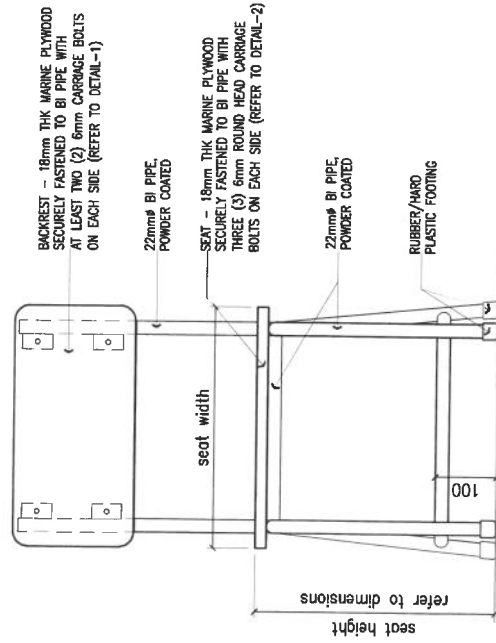
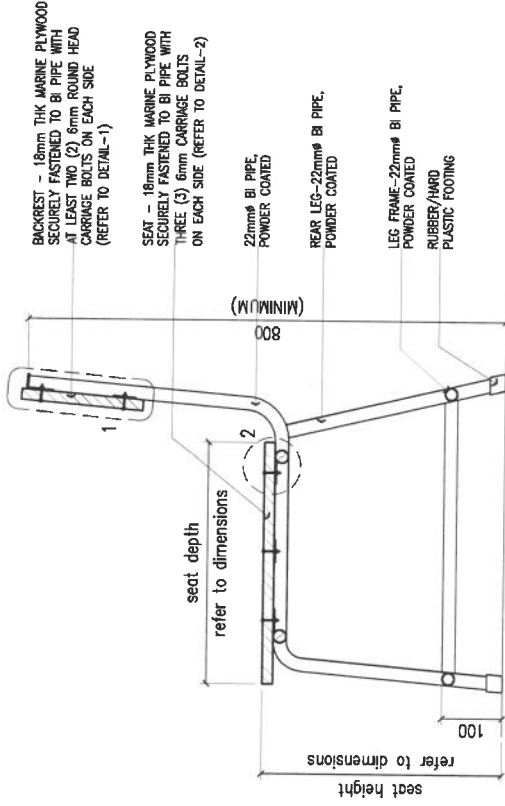
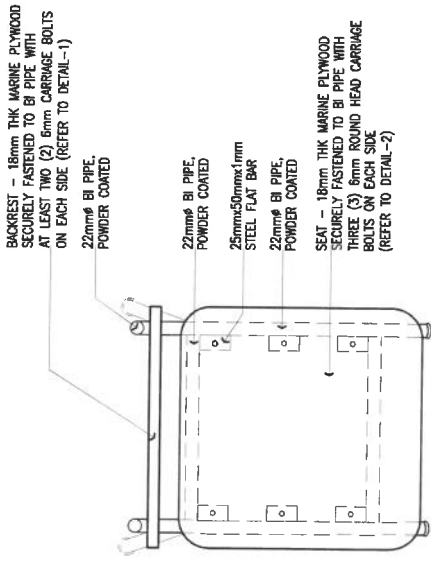
SHEET NO.:

2

CY 2020

3

TEACHER'S CHAIR
 (WOOD & STEEL)



DETAILS FOR WOOD & STEEL TEACHER'S CHAIR

PROJECT TITLE :

REPUBLIC OF THE PHILIPPINES



TEACHER'S CHAIR
 (WOOD & STEEL)

SHEET CONTENTS:
 TEACHER'S CHAIR -
 WOOD & STEEL

CY 2020

SHEET NO.:

3