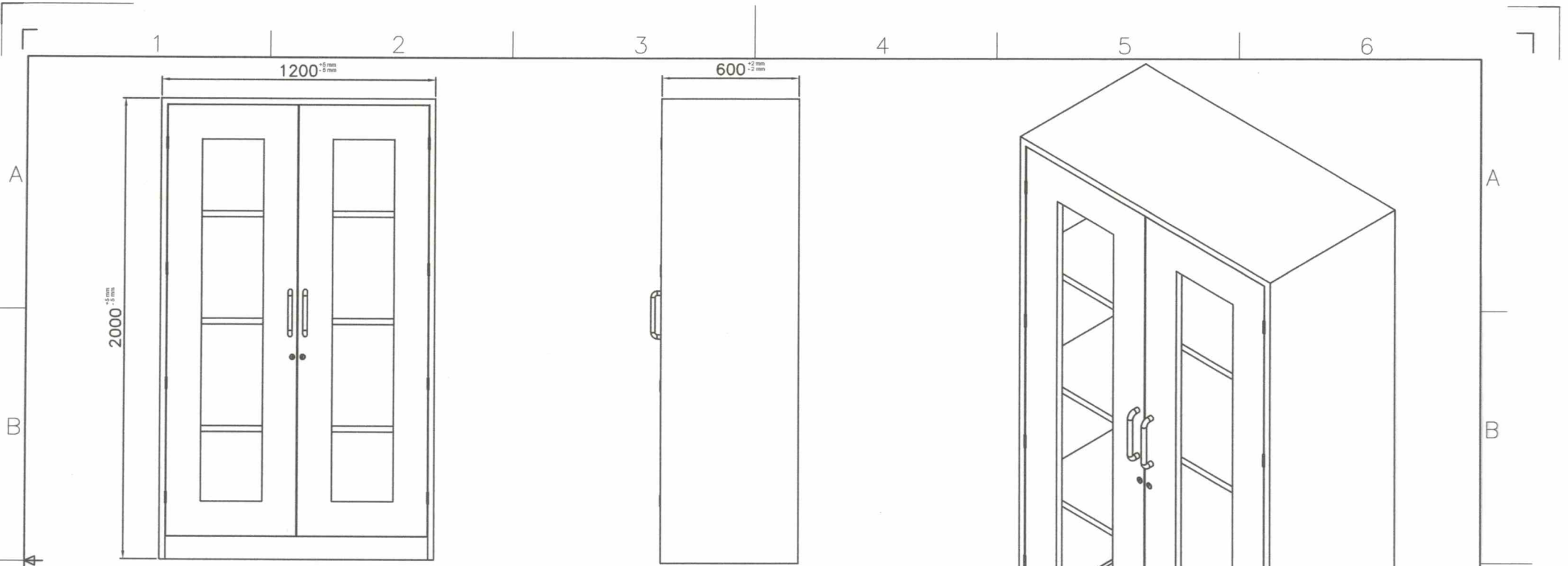


LOT 3



FRONT VIEW

SIDE VIEW

ISOMETRIC VIEW

Description :

- Color : PANTONE 340
- Material : 1.00mm Thick Cold-rolled Steel Sheet, 6mm thick Flexi-Glass Door
- Size : 2.0 meters x 1.20 meters x 0.6 meters
- Feature : Durable and Fashionable

About Cabinet :

1. 1.00mm thickness sheet then powder coat. (Welded surface must be hidden)
2. The cabinet body's material is cold-rolled steel
3. 2 Swinging flexi-glass doors with 2pcs stainless steel 304 handle bars (10mm diameter Stainless Steel 304 Round Bar x 7in. screw mounted in between center. 1 set (Full door 3 way CAM locking system w/ key), and 4 heavy duty detachable hinges(3 inches long) on each door.
4. 3 Adjustable and detachable shelves.
5. Locking system will make the assembly sturdy even without the rivets.
6. Locking system of the collapsible cabinet is subject to approval during sample evaluation.

GOVERNMENT PROPERTY

NOTES:

1. All dimensions are in millimeter unless otherwise specified.
2. Remove burrs and sharp edges.

TOLERANCES FOR LENGTH GAUGING					
Grade of Accuracy	Nominal Size	Over 0.5 to 3	Over 3 to 6	Over 6 to 30	Over 30 to 120
Medium		± 0.10	± 0.10	± 0.20	± 0.30
TOLERANCES FOR RADIUS & CHAMFERS					
Grade of Accuracy	Nominal Size	Over 0.5 to 3	Over 3 to 6	Over 6 to 30	Over 30 to 120
Smooth Medium		± 0.20	± 0.50	± 1.00	± 2.00

SYM	REVISION	DATE	BY

Date AUG 2022	Scale (NTS)	STORAGE CABINET FOR SME	
Conceptualized by B C Lisondra			
Drawn by BC Lisondra	Q.C. Checked by J.N. Arioja	Item Name COLLAPSIBLE STEEL CABINET ASSEMBLY	Sheet 01/14
Recommended by M. S. Maquilas		Material 1mm THICK COLD-ROLLED STEEL SHEET	File name cabinetforsme
Approved by R. C. La Rosa		 DepED - BLR	

1 2 3 4 5 6

A

B

C

D

A

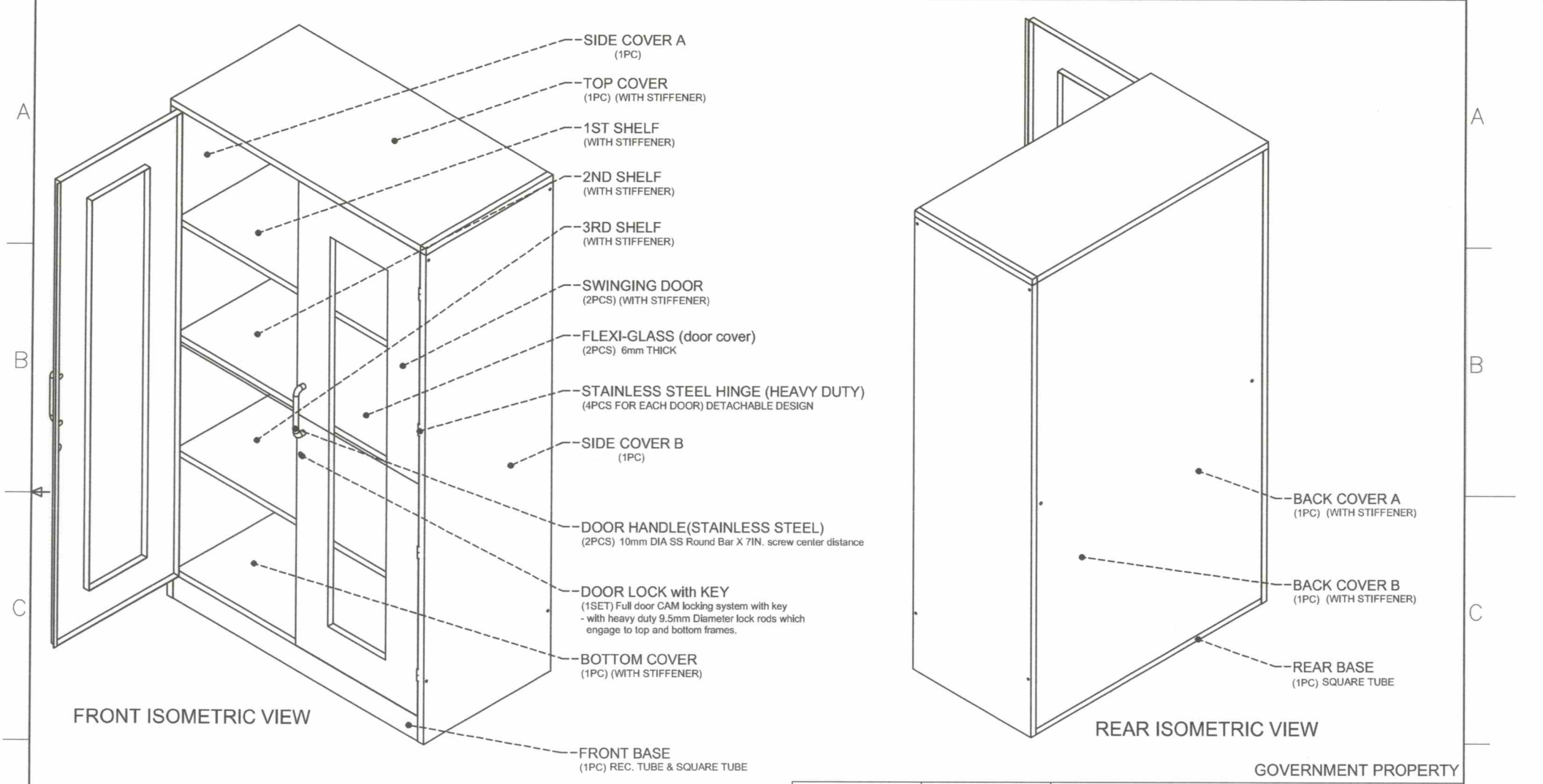
B

C

D

1 2 3 4 5 6

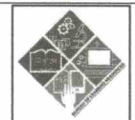
1 2 3 4 5 6 7



GOVERNMENT PROPERTY

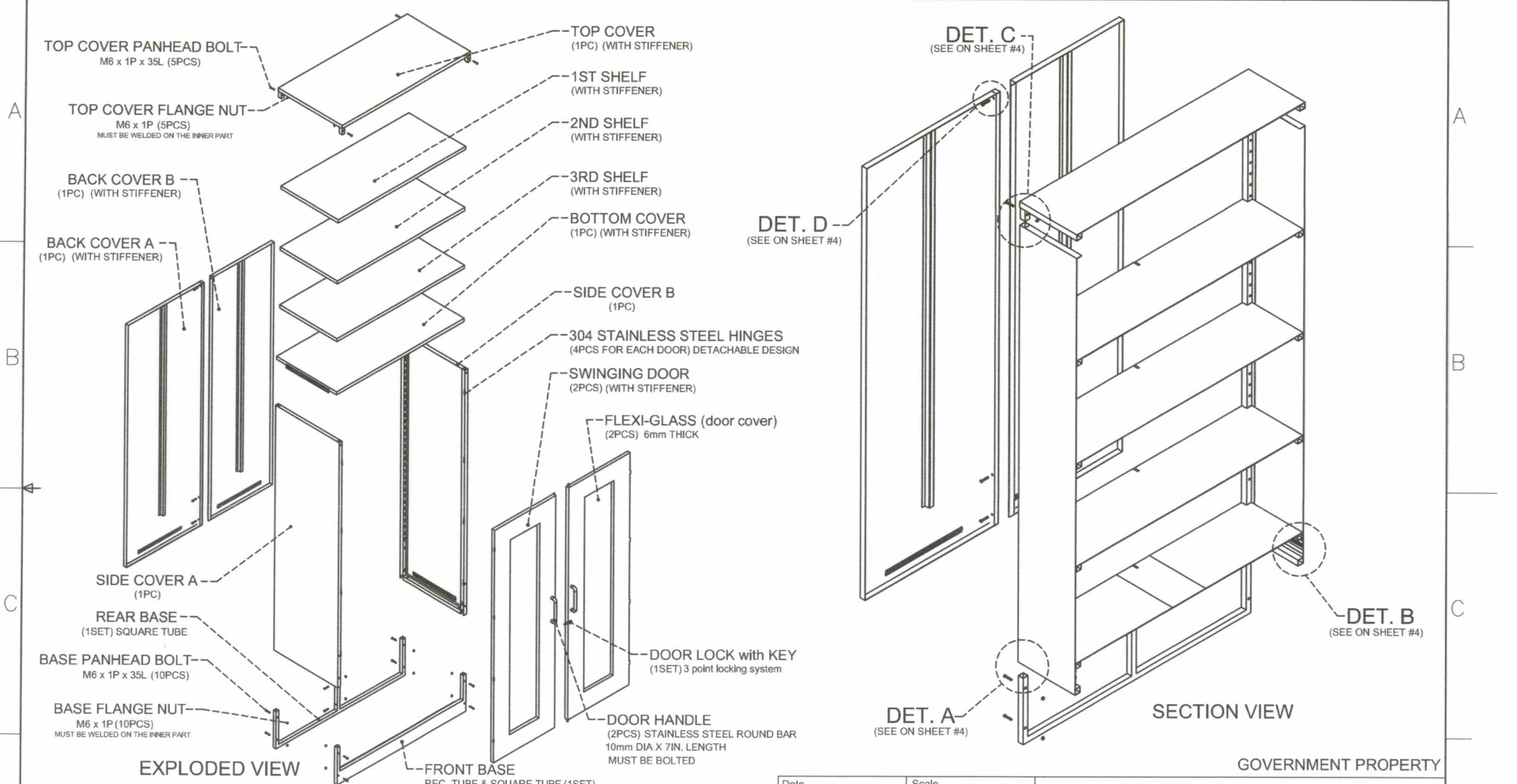
NOTES:
 1. All dimensions are in millimeter unless otherwise specified
 2. Remove burrs and sharp edges.

TOLERANCES FOR LENGTH GAUGING						
Grade of Accuracy	Nominal Size	Over 0.5 to 3	Over 3 to 6	Over 6 to 30	Over 30 to 120	Over 120 to 400
Medium		+ 0.10	+ 0.10	+ 0.20	+ 0.30	+ 0.50
TOLERANCES FOR RADIUS & CHAMFERS						
Grade of Accuracy	Nominal Size	Over 0.5 to 3	Over 3 to 6	Over 6 to 30	Over 30 to 120	
Smooth Medium		+ 0.20	+ 0.50	+ 1.00	+ 2.00	

Date	AUG 2022	Scale	(NTS)
Conceptualized by			
Drawn by	B C Lisondra	Item Name	COLLAPSIBLE STEEL CABINET ASSEMBLY
Designed by	Q.C. Checked by	Material	1mm THICK COLD-ROLLED STEEL SHEET
BC Lisondra	J.N. Arioja	Sheet	02/14
Recommended by	M. S. Maquilas	File name	cabinetforsme
Approved by	R. C. La Rosa	 DepED - BLR	

1 2 3 4 5 6

1 2 3 4 5 6 7



EXPLODED VIEW

SECTION VIEW

GOVERNMENT PROPERTY

NOTES:
 1. All dimensions are in millimeter unless otherwise specified
 2. Remove burrs and sharp edges.

TOLERANCES FOR LENGTH GAUGING					
Grade of Accuracy	Nominal Size	Over 0.5 to 3	Over 3 to 6	Over 6 to 30	Over 30 to 120
Medium		± 0.10	± 0.10	± 0.20	± 0.30
TOLERANCES FOR RADIUS & CHAMFERS					
Grade of Accuracy	Nominal Size	Over 0.5 to 3	Over 3 to 6	Over 6 to 30	Over 30 to 120
Smooth Medium		± 0.20	± 0.50	± 1.00	± 2.00

SYM	REVISION	DATE	BY

Date	AUG 2022	Scale	(NTS)
Conceptualized by			
Drawn by	BC Lisondra	Checked by	J.N. Arioja
Designed by	BC Lisondra	Recommended by	M. S. Maquilas
		Approved by	R. C. La Rosa


Item Name: STORAGE CABINET FOR SME

Item Name: COLLAPSIBLE STEEL CABINET ASSEMBLY

Material: 1mm THICK COLD-ROLLED STEEL SHEET

Sheet: 03/14

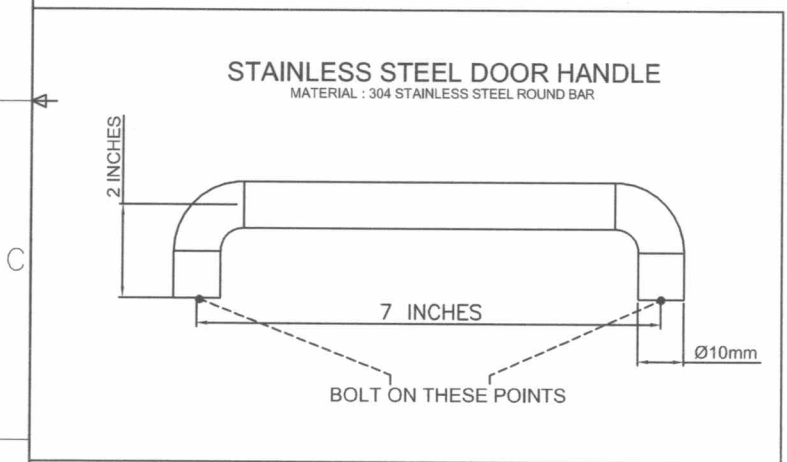
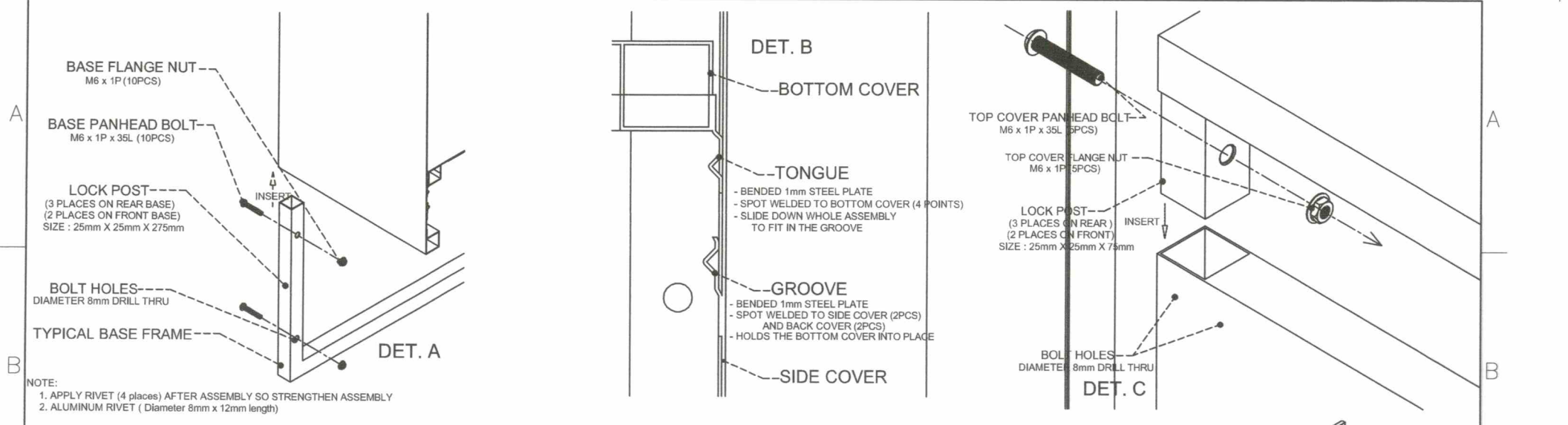
File name: cabinetforsme



DepED - BLR

1 2 3 4 5 6

1 2 3 4 5 6 7



NOTE:

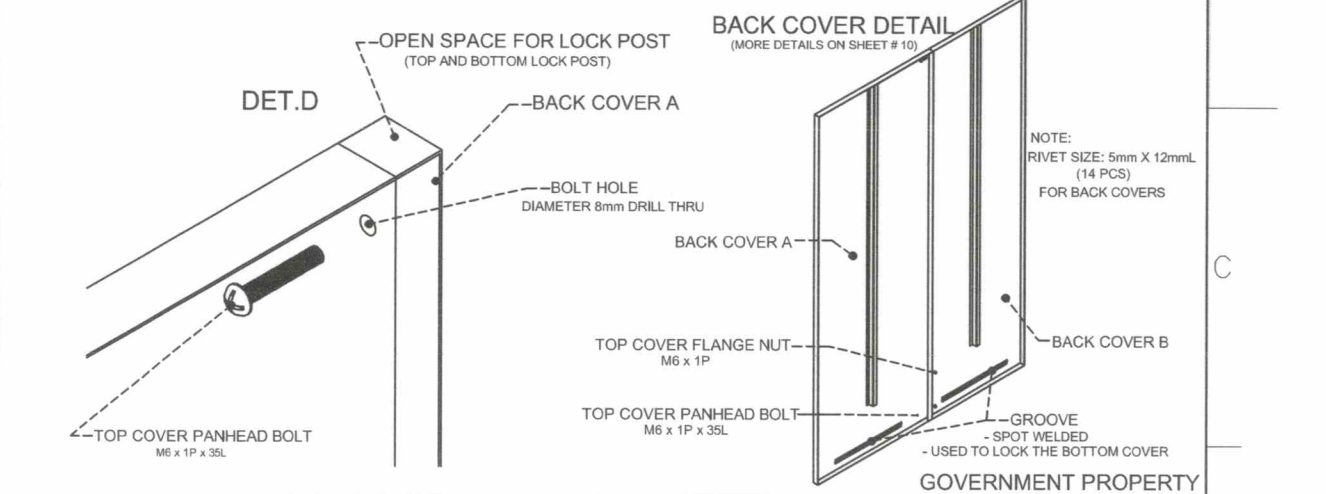
- All dimensions are in millimeter unless otherwise specified
- Remove burrs and sharp edges.

TOLERANCES FOR LENGTH GAUGING

Grade of Accuracy	Nominal Size	Over 0.5 to 3	Over 3 to 6	Over 6 to 30	Over 30 to 120	Over 120 to 400
Medium		+ 0.10	+ 0.10	+ 0.20	+ 0.30	+ 0.50

TOLERANCES FOR RADIUS & CHAMFERS

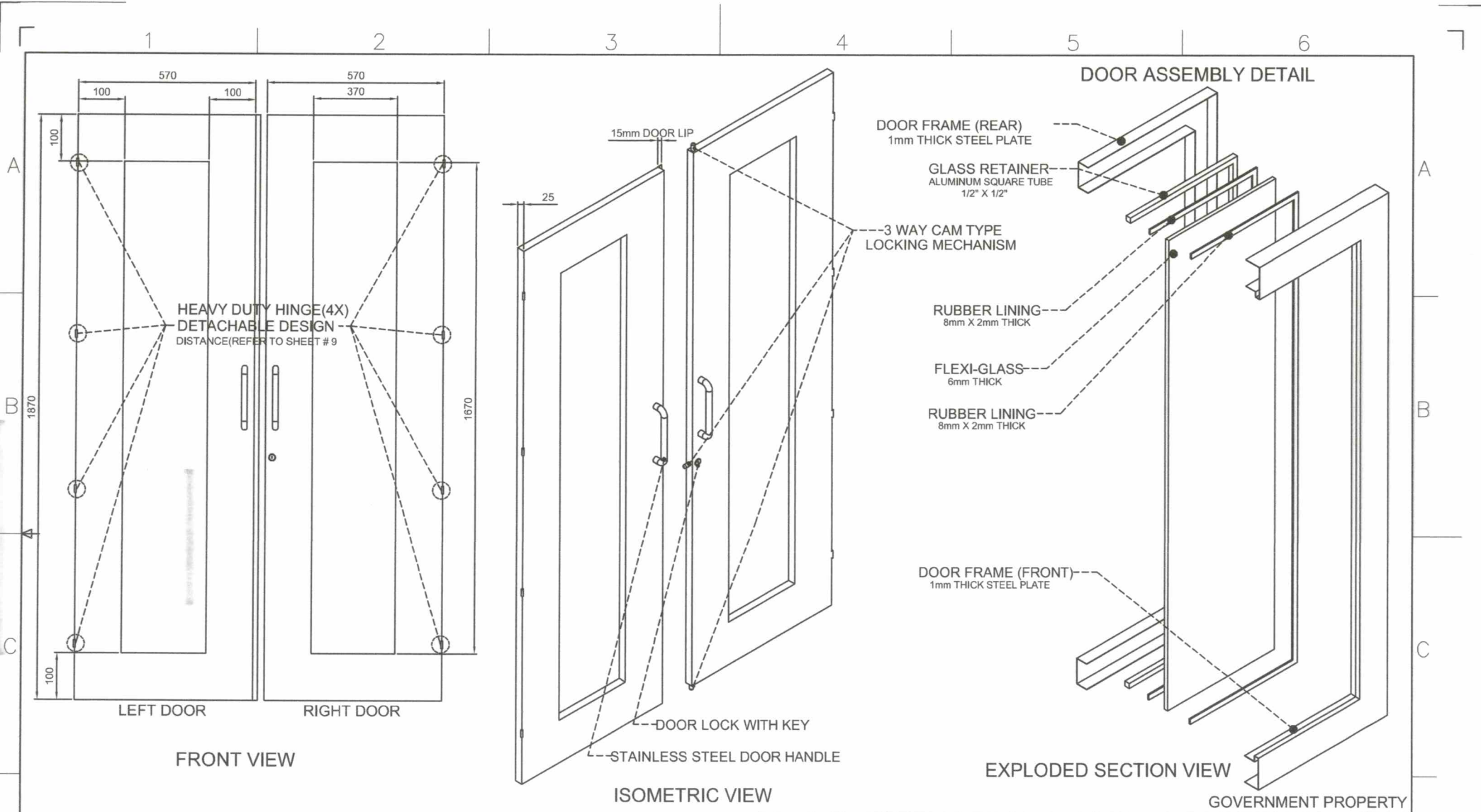
Grade of Accuracy	Nominal Size	Over 0.5 to 3	Over 3 to 6	Over 6 to 30	Over 30 to 120
Smooth Medium		+ 0.20	+ 0.50	+ 1.00	+ 2.00



1 2 3 4 5 6

Date	AUG 2022	Scale	(NTS)	STORAGE CABINET FOR SME	
Conceptualized by					
Drawn by	BC Lisondra	Item Name	COLLAPSIBLE STEEL CABINET DETAILS		Sheet
Designed by	Q.C. Checked by	Material	1mm THICK COLD-ROLLED STEEL SHEET		File name
BC Lisondra	J.N. Ajoja			cabinetforsme	
Recommended by	M. S. Maquilas			DepED - BLR	
Approved by	R. C. La Rosa				

SYM	REVISION	DATE	BY




GOVERNMENT PROPERTY

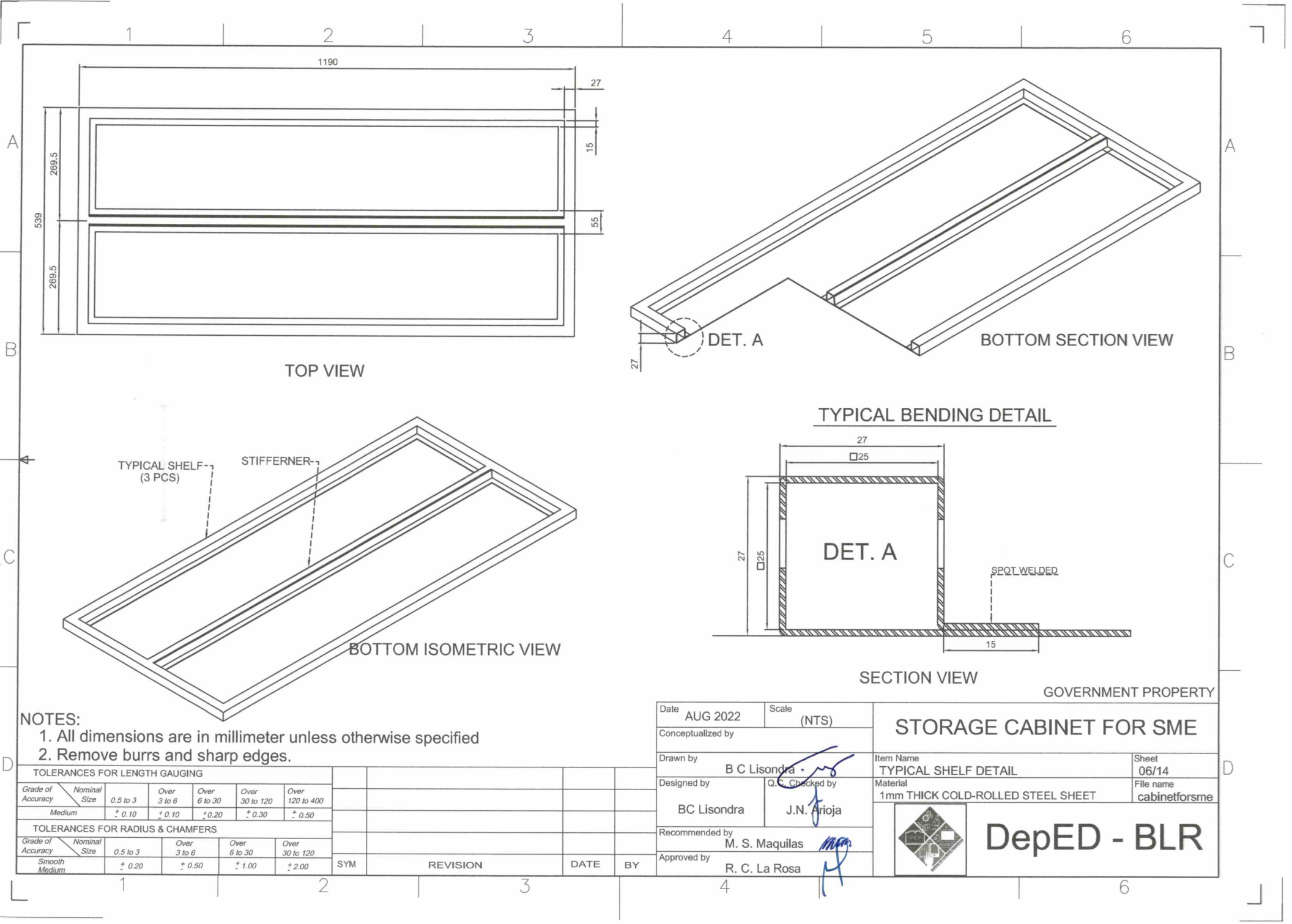
NOTES:
 1. All dimensions are in millimeter unless otherwise specified
 2. Remove burrs and sharp edges.

TOLERANCES FOR LENGTH GAUGING						
Grade of Accuracy	Nominal Size	0.5 to 3	Over 3 to 6	Over 6 to 30	Over 30 to 120	Over 120 to 400
Medium		+ 0.10	+ 0.10	+ 0.20	+ 0.30	+ 0.50

TOLERANCES FOR RADIUS & CHAMFERS					
Grade of Accuracy	Nominal Size	0.5 to 3	Over 3 to 6	Over 6 to 30	Over 30 to 120
Smooth Medium		+ 0.20	+ 0.50	+ 1.00	+ 2.00

Date	AUG 2022	Scale	(NTS)	STORAGE CABINET FOR SME	
Conceptualized by					
Drawn by	BC Lisondra	Item Name	DOOR DETAIL	Sheet	05/14
Designed by	BC Lisondra	Material	1mm THICK COLD-ROLLED STEEL SHEET	File name	cabinetforsme
Q.C. Checked by	J.N. Arioja	 DepED - BLR			
Recommended by	M. S. Maquilas				
Approved by	R. C. La Rosa				

SYM	REVISION	DATE	BY



TOP VIEW

DET. A

BOTTOM SECTION VIEW

TYPICAL BENDING DETAIL

DET. A

SPOT WELDED


SECTION VIEW

GOVERNMENT PROPERTY

- NOTES:**
 1. All dimensions are in millimeter unless otherwise specified
 2. Remove burrs and sharp edges.

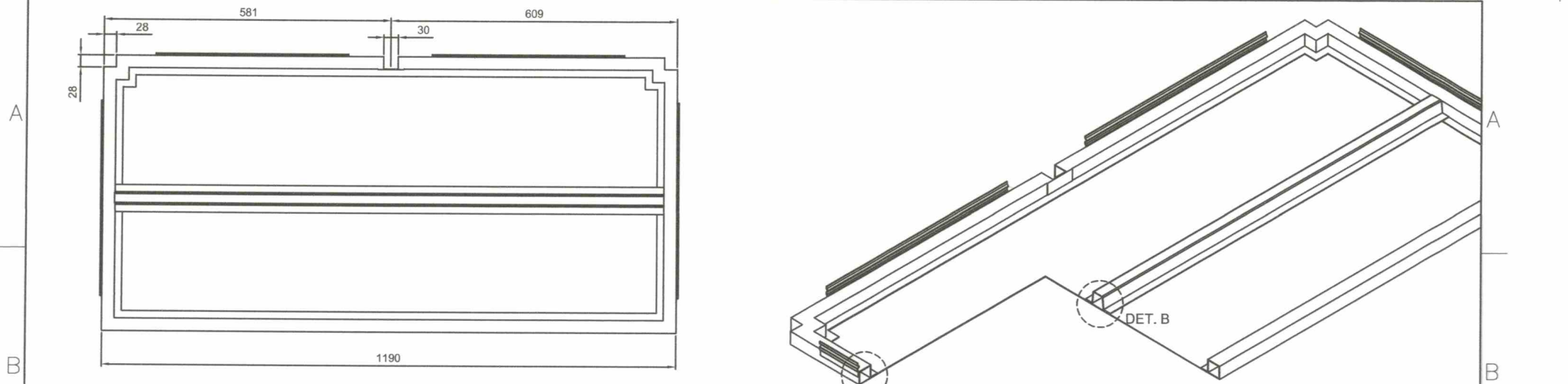
TOLERANCES FOR LENGTH GAUGING						
Grade of Accuracy	Nominal Size	Over 0.5 to 3	Over 3 to 6	Over 6 to 30	Over 30 to 120	Over 120 to 400
Medium		± 0.10	± 0.10	± 0.20	± 0.30	± 0.50

TOLERANCES FOR RADIUS & CHAMFERS					
Grade of Accuracy	Nominal Size	Over 0.5 to 3	Over 3 to 6	Over 6 to 30	Over 30 to 120
Smooth Medium		± 0.20	± 0.50	± 1.00	± 2.00

Date	AUG 2022	Scale	(NTS)	STORAGE CABINET FOR SME	
Conceptualized by					
Drawn by	BC Lisondra	Item Name	TYPICAL SHELF DETAIL	Sheet	06/14
Designed by	BC Lisondra	Q.C. Checked by	J.N. Arioja	Material	1mm THICK COLD-ROLLED STEEL SHEET
Recommended by	M. S. Maquilas	File name	cabinetforsme	 DepED - BLR	
Approved by	R. C. La Rosa				

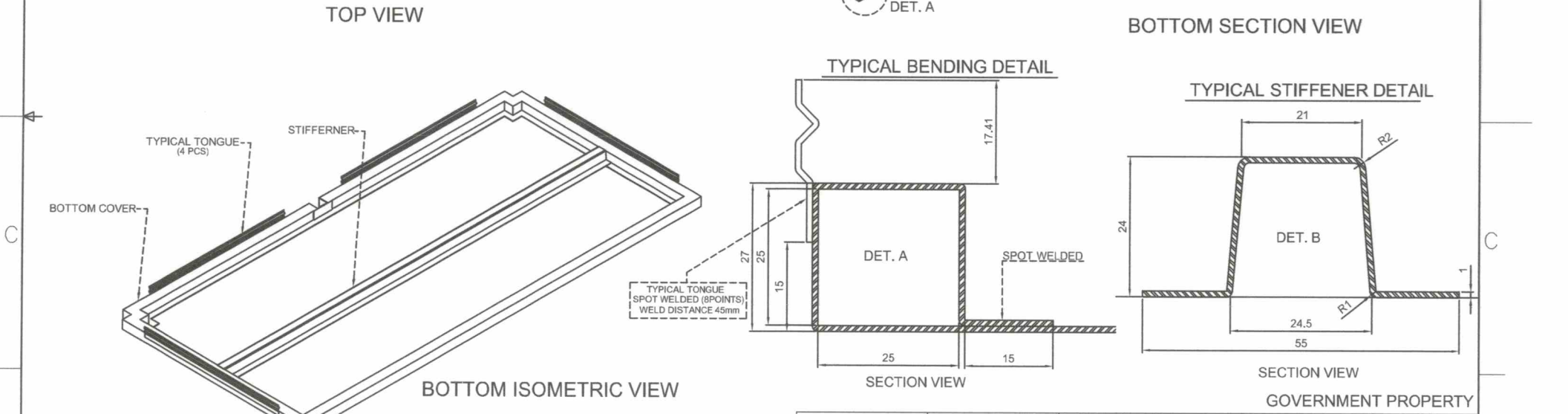
SYM REVISION DATE BY

1 2 3 4 5 6



TOP VIEW

BOTTOM SECTION VIEW



BOTTOM ISOMETRIC VIEW

SECTION VIEW

SECTION VIEW

GOVERNMENT PROPERTY

- NOTES:**
 1. All dimensions are in millimeter unless otherwise specified
 2. Remove burrs and sharp edges.

TOLERANCES FOR LENGTH GAUGING						
Grade of Accuracy	Nominal Size	Over 0.5 to 3	Over 3 to 6	Over 6 to 30	Over 30 to 120	Over 120 to 400
Medium		± 0.10	± 0.10	± 0.20	± 0.30	± 0.50

TOLERANCES FOR RADIUS & CHAMFERS					
Grade of Accuracy	Nominal Size	Over 0.5 to 3	Over 3 to 6	Over 6 to 30	Over 30 to 120
Smooth Medium		± 0.20	± 0.50	± 1.00	± 2.00

SYM	REVISION	DATE	BY

Date	AUG 2022	Scale	(NTS)
Conceptualized by			
Drawn by	BC Lisondra	Q.C. Checked by	J.N. Arjoja
Designed by	BC Lisondra	Recommended by	M. S. Maquillas
		Approved by	R. C. La Rosa

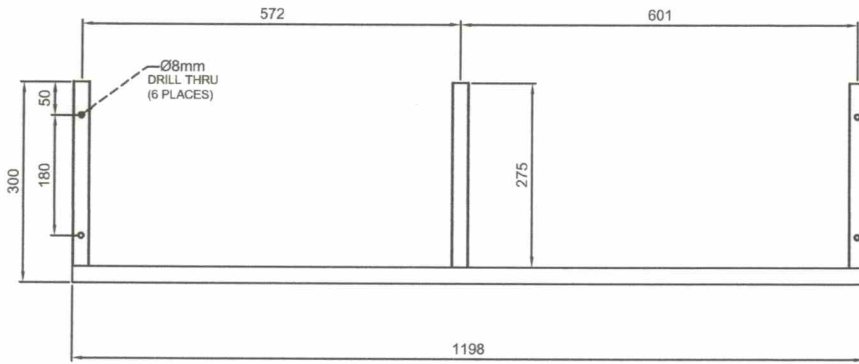
STORAGE CABINET FOR SME

Item Name	BOTTOM COVER DETAIL	Sheet	07/14
Material	1mm THICK COLD-ROLLED STEEL SHEET	File name	cabinetforsme

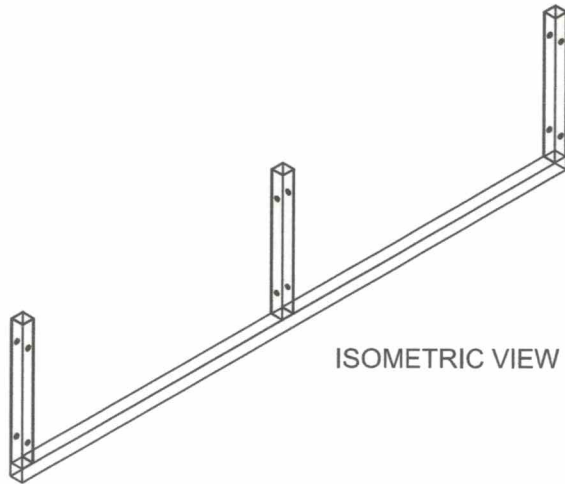
DepED - BLR

1 2 3 4 5 6

REAR BASE FRAME



FRONT VIEW



ISOMETRIC VIEW

NOTES:

1. All dimensions are in millimeter unless otherwise specified
2. Remove burrs and sharp edges.

TOLERANCES FOR LENGTH GAUGING

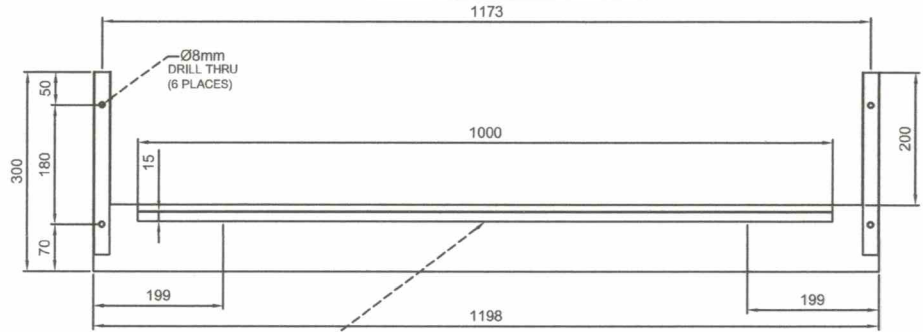
Grade of Accuracy	Nominal Size	0.5 to 3	Over 3 to 6	Over 6 to 30	Over 30 to 120	Over 120 to 400
Medium		+ 0.10	+ 0.10	+ 0.20	+ 0.30	+ 0.50

TOLERANCES FOR RADIUS & CHAMFERS

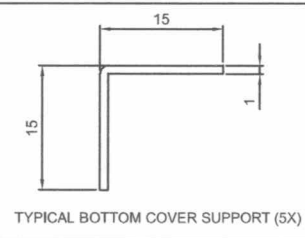
Grade of Accuracy	Nominal Size	0.5 to 3	Over 3 to 6	Over 6 to 30	Over 30 to 120
Smooth Medium		+ 0.20	+ 0.50	+ 1.00	+ 2.00

SYM REVISION DATE BY

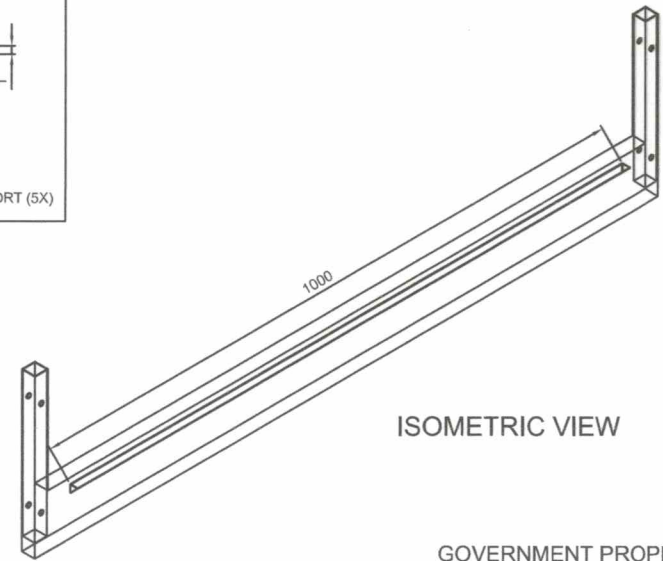
FRONT BASE FRAME



FRONT VIEW




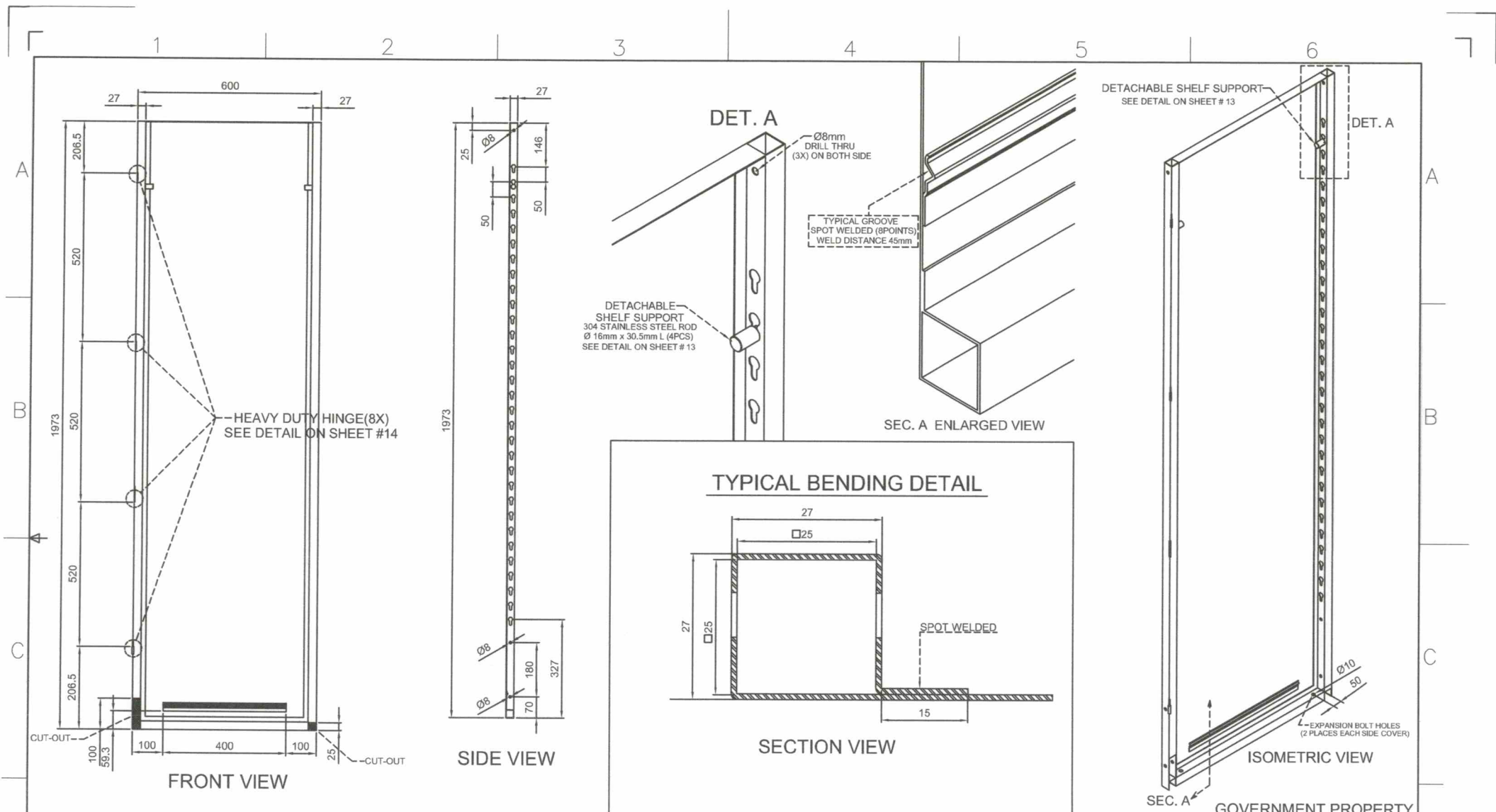
TYPICAL BOTTOM COVER SUPPORT (5X)



ISOMETRIC VIEW

GOVERNMENT PROPERTY

Date	AUG 2022	Scale	(NTS)	STORAGE CABINET FOR SME			
Conceptualized by						Item Name	REAR AND FRONT BASE FRAME DETAIL
Drawn by	BC Lisondra	Q.C. Checked by	J.N. Arioja	Material	1mm THICK SQUARE TUBE AND REC. TUBE	File name	cabinetforsme
Recommended by	M. S. Maquilas	Approved by	R. C. La Rosa	 DepED - BLR			



NOTES:
 1. All dimensions are in millimeter unless otherwise specified
 2. Remove burrs and sharp edges.

TOLERANCES FOR LENGTH GAUGING

Grade of Accuracy	Nominal Size	Over 0.5 to 3	Over 3 to 6	Over 6 to 30	Over 30 to 120	Over 120 to 400
Medium		+ 0.10	+ 0.10	+ 0.20	+ 0.30	+ 0.50

TOLERANCES FOR RADIUS & CHAMFERS

Grade of Accuracy	Nominal Size	Over 0.5 to 3	Over 3 to 6	Over 6 to 30	Over 30 to 120
Smooth Medium		+ 0.20	+ 0.50	+ 1.00	+ 2.00

SYM	REVISION	DATE	BY

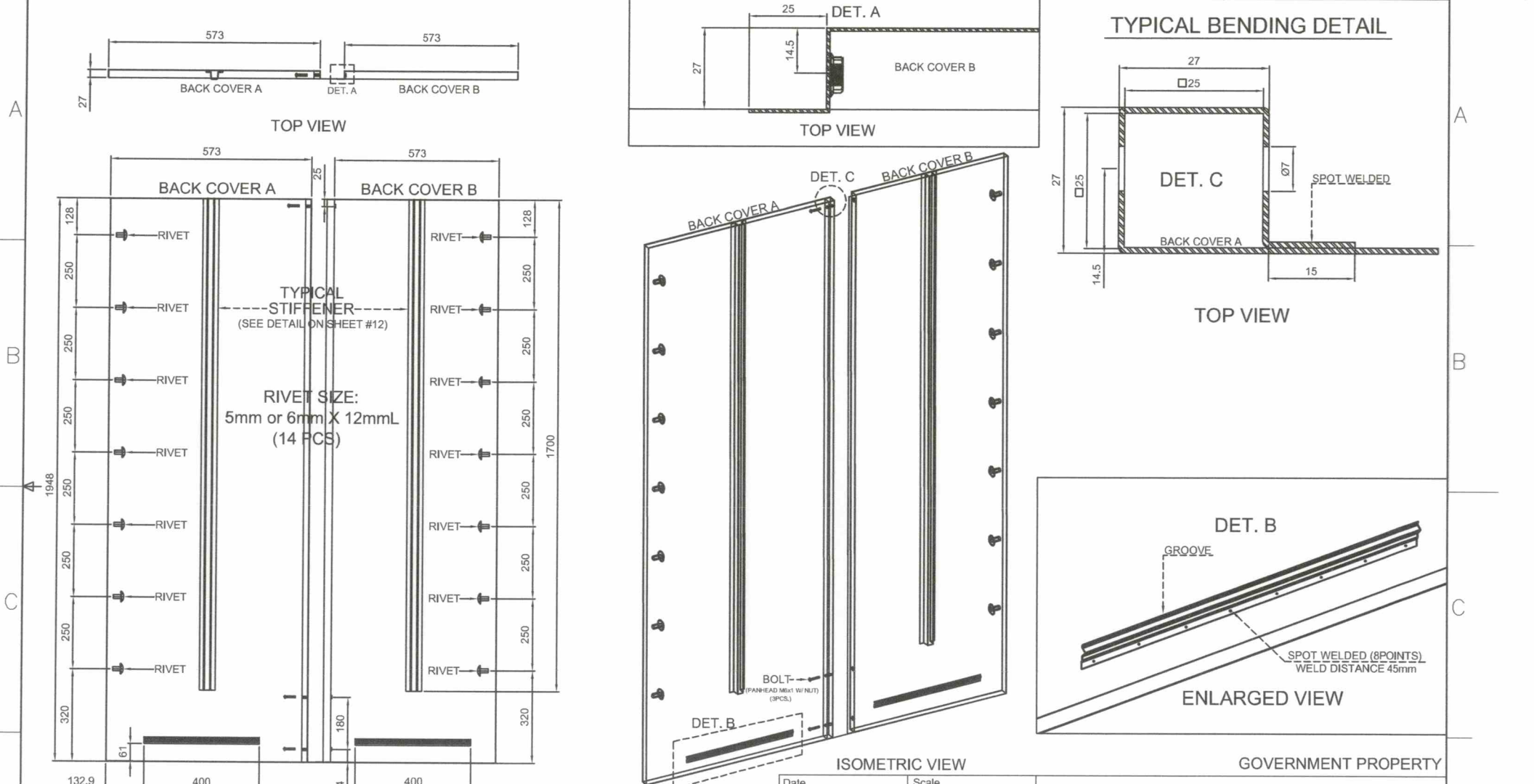
Date	AUG 2022	Scale	(NTS)
Conceptualized by			
Drawn by	B C Lisondra		
Designed by	Q.C. Checked by		
BC Lisondra	J.N. Arioja		
Recommended by	M. S. Maquilas		
Approved by	R. C. La Rosa		

STORAGE CABINET FOR SME

Item Name	TYPICAL SIDE COVER DETAIL	Sheet	09/14
Material	1mm THICK COLD-ROLLED STEEL SHEET	File name	cabinetforsme

DepED - BLR

1 2 3 4 5 6 7



NOTES:
 1. All dimensions are in millimeter unless otherwise specified
 2. Remove burrs and sharp edges.

TOLERANCES FOR LENGTH GAUGING						
Grade of Accuracy	Nominal Size	Over 0.5 to 3	Over 3 to 6	Over 6 to 30	Over 30 to 120	Over 120 to 400
Medium		+ 0.10	+ 0.10	+ 0.20	+ 0.30	+ 0.50

TOLERANCES FOR RADIUS & CHAMFERS					
Grade of Accuracy	Nominal Size	Over 0.5 to 3	Over 3 to 6	Over 6 to 30	Over 30 to 120
Smooth Medium		+ 0.20	+ 0.50	+ 1.00	+ 2.00

SYM	REVISION	DATE	BY

Date	AUG 2022	Scale	(NTS)
Conceptualized by			
Drawn by	BC Lisondra	Checked by	J.N. Arioja
Designed by	BC Lisondra	Recommended by	M. S. Maquilas
Approved by	R. C. La Rosa		

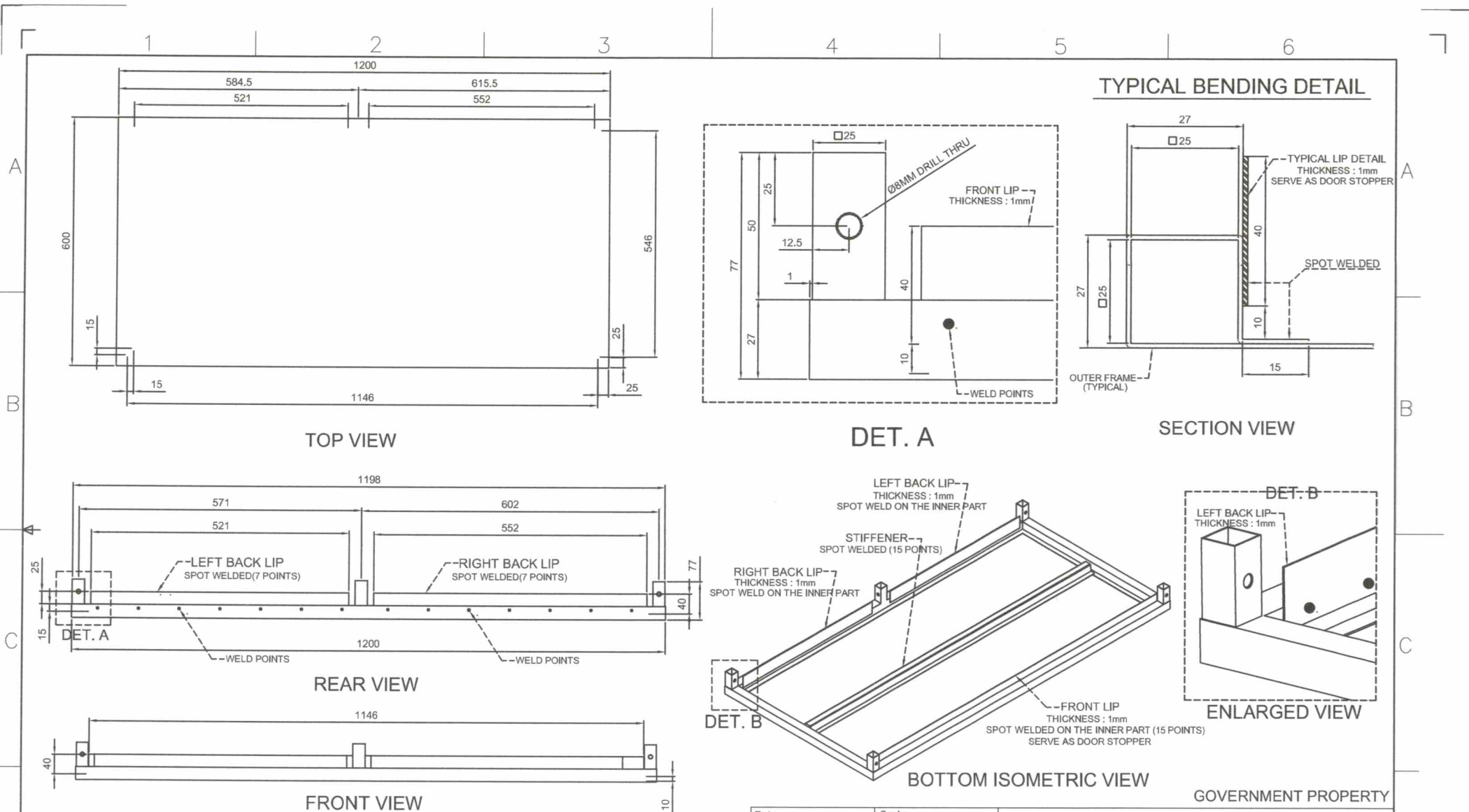
GOVERNMENT PROPERTY

STORAGE CABINET FOR SME

Item Name	BACK COVERS A AND B DETAIL	Sheet	10/14
Material	1mm THICK COLD-ROLLED STEEL SHEET	File name	cabinetforsme

DepED - BLR

1 2 3 4 5 6



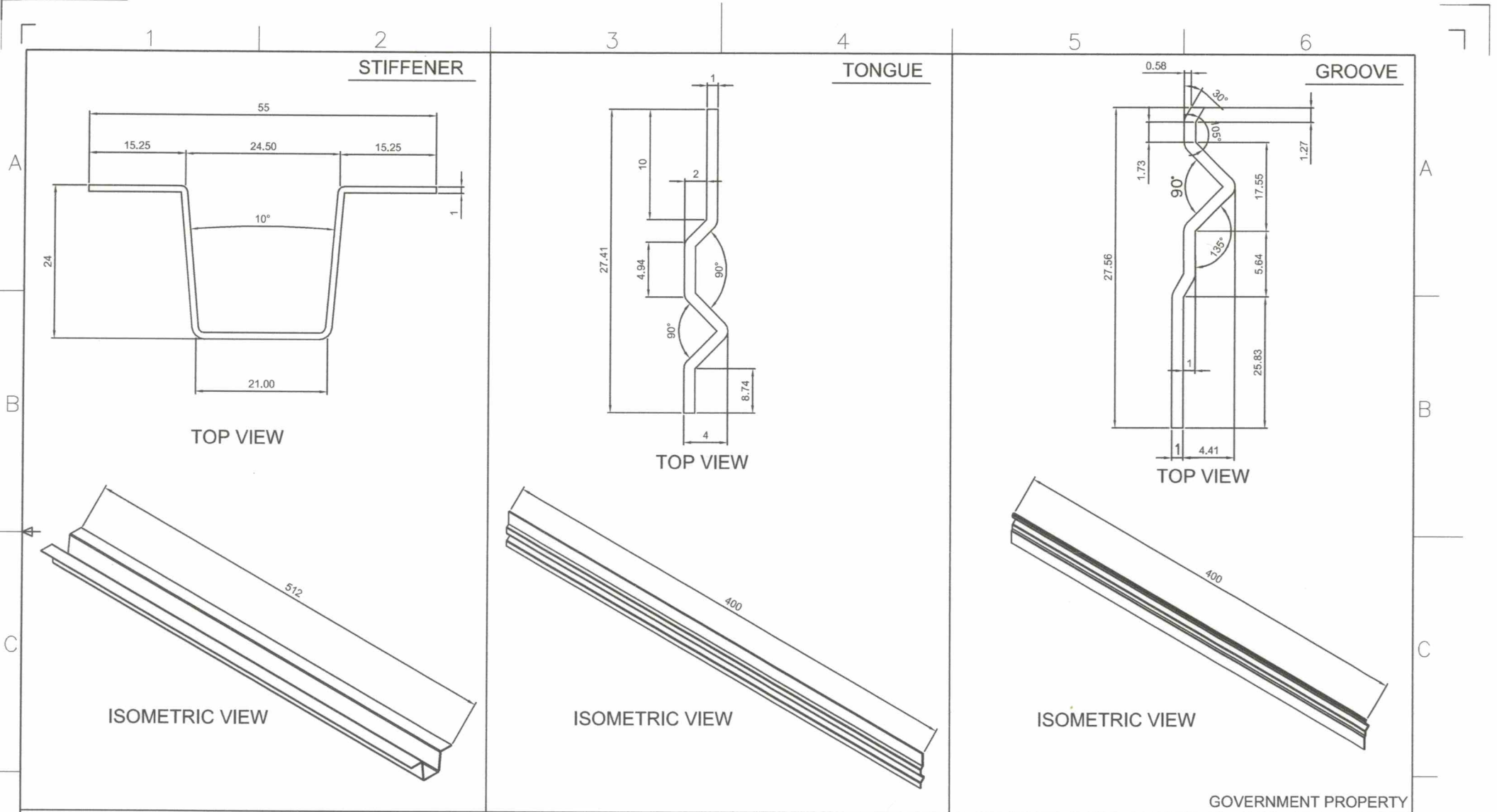
NOTES:
 1. All dimensions are in millimeter unless otherwise specified
 2. Remove burrs and sharp edges.

TOLERANCES FOR LENGTH GAUGING					
Grade of Accuracy	Nominal Size	Over 0.5 to 3	Over 3 to 6	Over 6 to 30	Over 30 to 120
Medium		± 0.10	± 0.10	± 0.20	± 0.30

TOLERANCES FOR RADIUS & CHAMFERS					
Grade of Accuracy	Nominal Size	Over 0.5 to 3	Over 3 to 6	Over 6 to 30	Over 30 to 120
Smooth Medium		± 0.20	± 0.50	± 1.00	± 2.00

Date	AUG 2022	Scale	(NTS)	STORAGE CABINET FOR SME	
Conceptualized by					
Drawn by	BC Lisondra	Item Name	TOP COVER DETAIL	Sheet	11/14
Designed by	BC Lisondra	Q.C. Checked by	J.N. Arioja	Material	1mm THICK COLD-ROLLED STEEL SHEET
Recommended by	M. S. Maquilas	File name	cabinetforsme	 DepED - BLR	
Approved by	R. C. La Rosa				

GOVERNMENT PROPERTY



GOVERNMENT PROPERTY

NOTES:

1. All dimensions are in millimeter unless otherwise specified
2. Remove burrs and sharp edges.

Date	AUG 2022	Scale	(NTS)
Conceptualized by			
Drawn by	B C Lisondra	Item Name	STORAGE CABINET FOR SME
Designed by	BC Lisondra	Q.C. Checked by	J.N. Arioja
Recommended by	M. S. Maquilas	Material	1mm THICK COLD-ROLLED STEEL SHEET
Approved by	R. C. La Rosa	Sheet	12/14
		File name	cabinetforsme

TOLERANCES FOR LENGTH GAUGING						
Grade of Accuracy	Nominal Size	Over 0.5 to 3	Over 3 to 6	Over 6 to 30	Over 30 to 120	Over 120 to 400
Medium		± 0.10	± 0.10	± 0.20	± 0.30	± 0.50

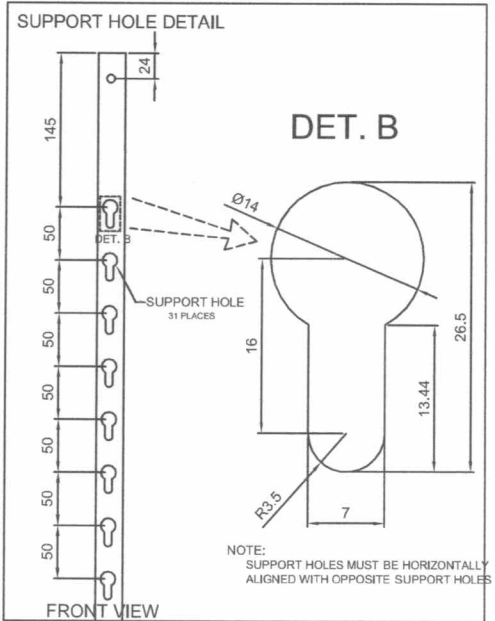
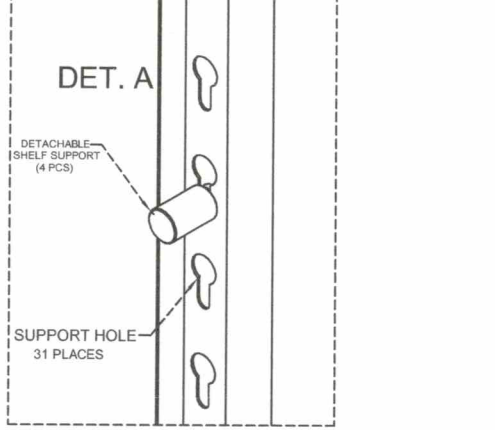
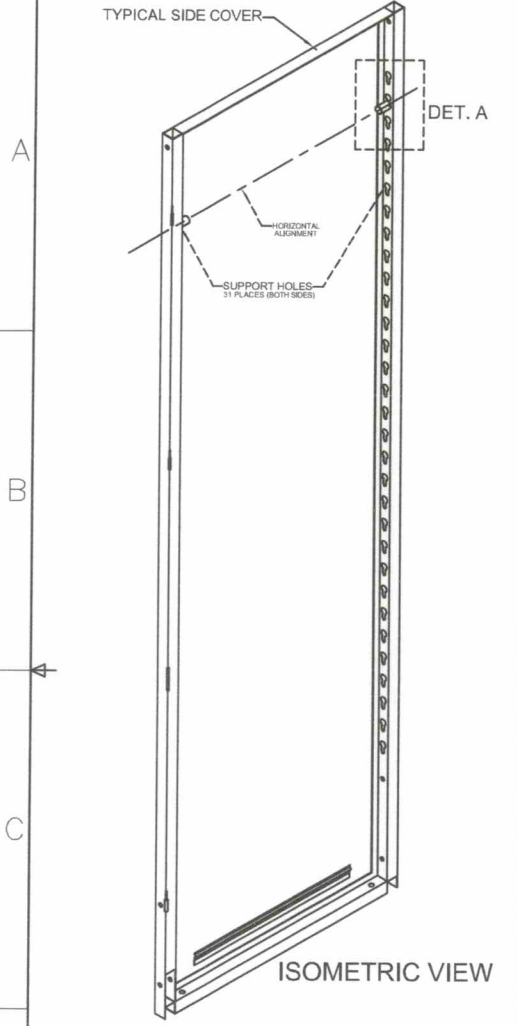
TOLERANCES FOR RADIUS & CHAMFERS					
Grade of Accuracy	Nominal Size	Over 0.5 to 3	Over 3 to 6	Over 6 to 30	Over 30 to 120
Smooth Medium		± 0.20	± 0.50	± 1.00	± 2.00

SYM	REVISION	DATE	BY

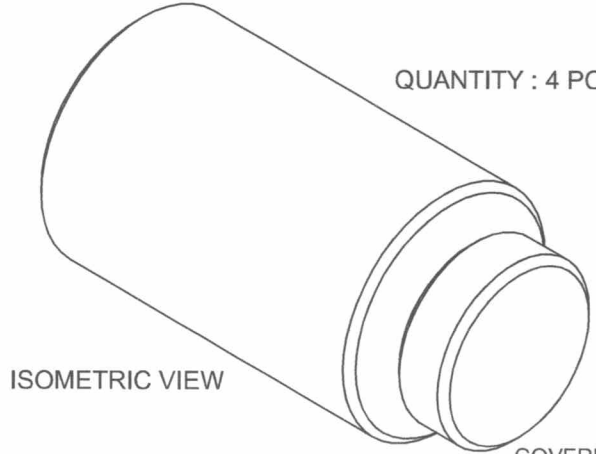
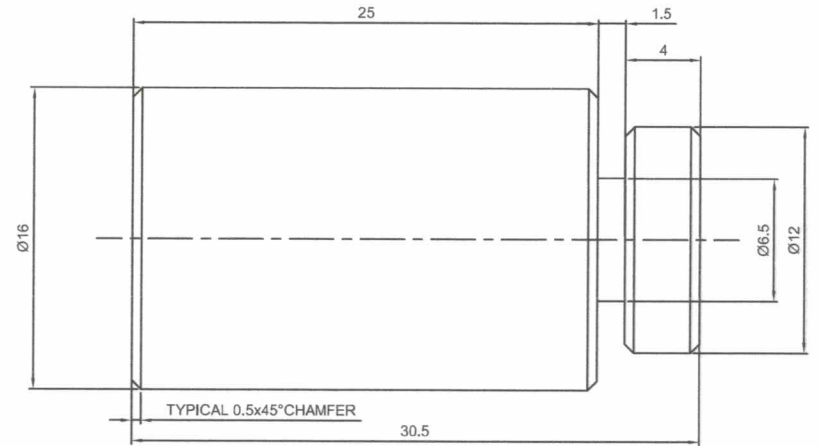


DepED - BLR

1 2 3 4 5 6



DETACHABLE SHELF SUPPORT



QUANTITY : 4 PCS.

GOVERNMENT PROPERTY

- NOTES:**
 1. All dimensions are in millimeter unless otherwise specified
 2. Remove burrs and sharp edges.

TOLERANCES FOR LENGTH GAUGING

Grade of Accuracy	Nominal Size	Over 0.5 to 3	Over 3 to 6	Over 6 to 30	Over 30 to 120	Over 120 to 400
Medium		± 0.10	± 0.10	± 0.20	± 0.30	± 0.50

TOLERANCES FOR RADIUS & CHAMFERS

Grade of Accuracy	Nominal Size	Over 0.5 to 3	Over 3 to 6	Over 6 to 30	Over 30 to 120
Smooth Medium		± 0.20	± 0.50	± 1.00	± 2.00

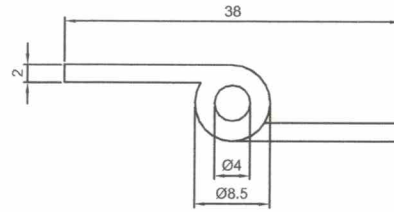
SYM	REVISION	DATE	BY

Date	AUG 2022	Scale	(NTS)	STORAGE CABINET FOR SME	
Conceptualized by					
Drawn by	BC Lisondra	Q.C. Checked by	J.N. Arioja	Material	Ø16mm STAINLESS STEEL ROD
Designed by	BC Lisondra	Recommended by	M. S. Maquilas	Sheet	13/14
Approved by	R. C. La Rosa	File name	cabinetforsme	 DepED - BLR	

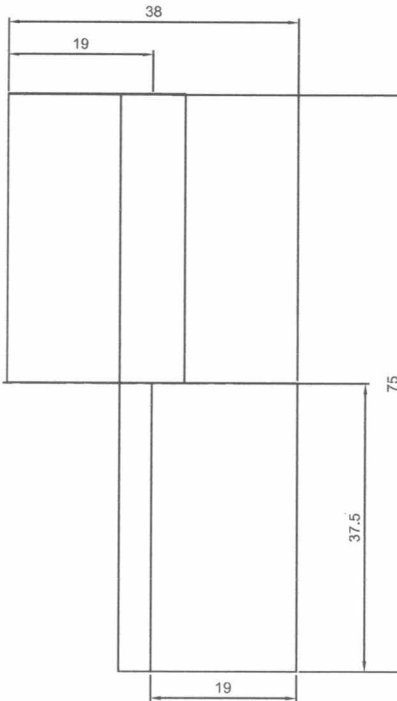
1 2 3 4 5 6

HEAVY DUTY DETACHABLE HINGES DETAIL

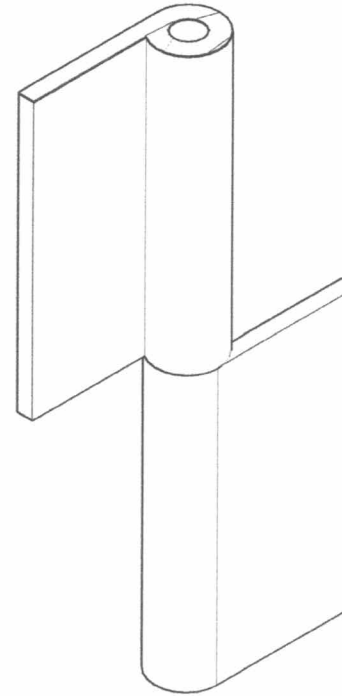
MATERIAL : STAINLESS STEEL 304
 QUANTITY : 4pcs. RIGHT & 4pcs. LEFT HINGE



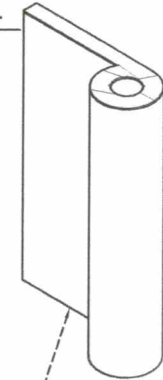
TOP VIEW



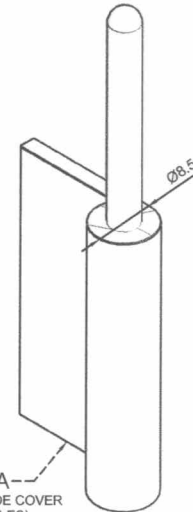
FRONT VIEW



ISOMETRIC VIEW



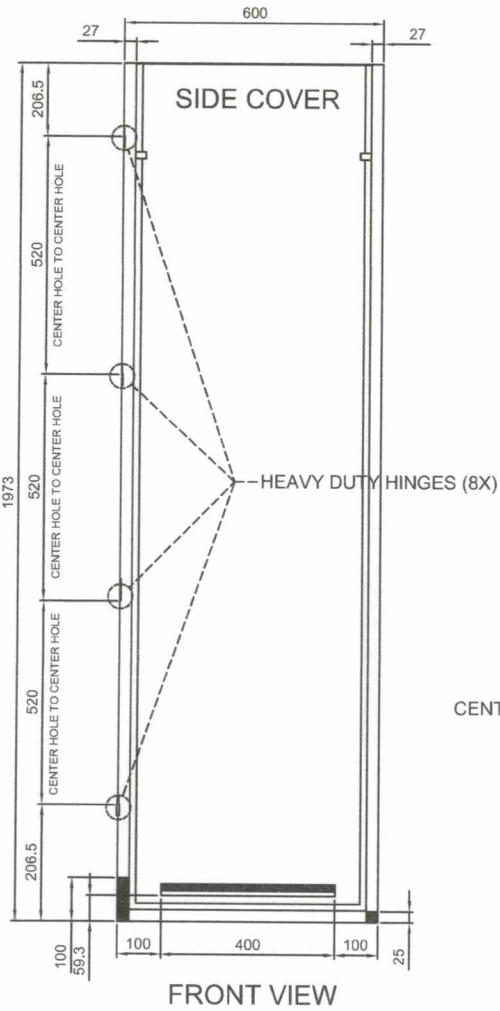
PART B
 WELDED TO THE DOOR
 (ON THE 3 HOLES)



PART A
 WELDED TO THE SIDE COVER
 (ON THE 3 HOLES)

EXPLODED VIEW

GOVERNMENT PROPERTY



FRONT VIEW

NOTES:

- All dimensions are in millimeter unless otherwise specified
- Remove burrs and sharp edges.

TOLERANCES FOR LENGTH GAUGING						
Grade of Accuracy	Nominal Size	0.5 to 3	Over 3 to 6	Over 6 to 30	Over 30 to 120	Over 120 to 400
Medium		± 0.10	± 0.10	± 0.20	± 0.30	± 0.50

TOLERANCES FOR RADIUS & CHAMFERS					
Grade of Accuracy	Nominal Size	0.5 to 3	Over 3 to 6	Over 6 to 30	Over 30 to 120
Smooth		± 0.20	± 0.50	± 1.00	± 2.00
Medium					

SYM	REVISION	DATE	BY

Date	AUG 2022	Scale	(NTS)
Conceptualized by			
Drawn by	BC Lisondra	Q.C. Checked by	J.N. Arioja
Designed by	BC Lisondra	Recommended by	M. S. Maquilas
		Approved by	R. C. La Rosa

STORAGE CABINET FOR SME	
Item Name	DETACHABLE HINGE DETAIL
Material	2mm STAINLESS STEEL 304 PLATE
Sheet	14/14
File name	cabinetforsme

	DepED - BLR
---	-------------