

GENERAL NOTES:

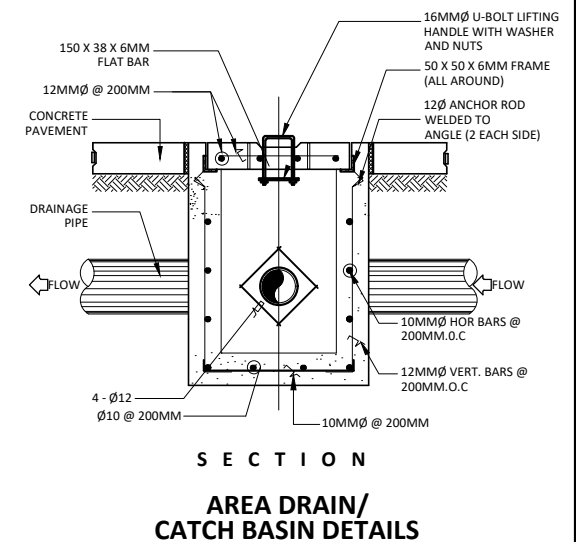
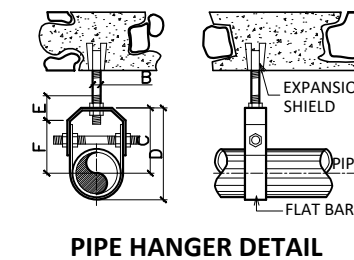
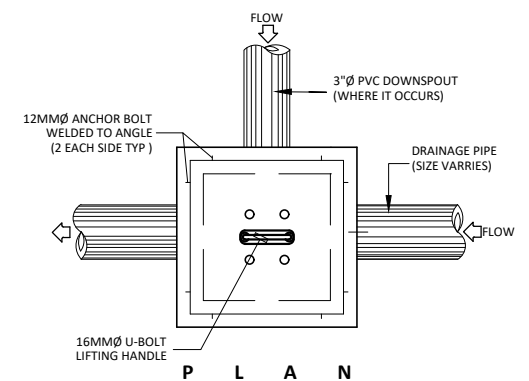
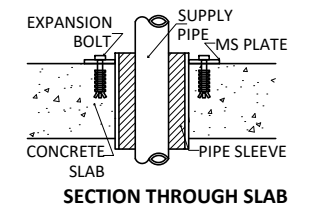
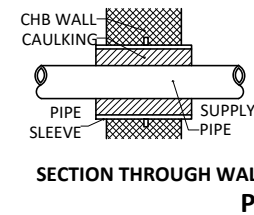
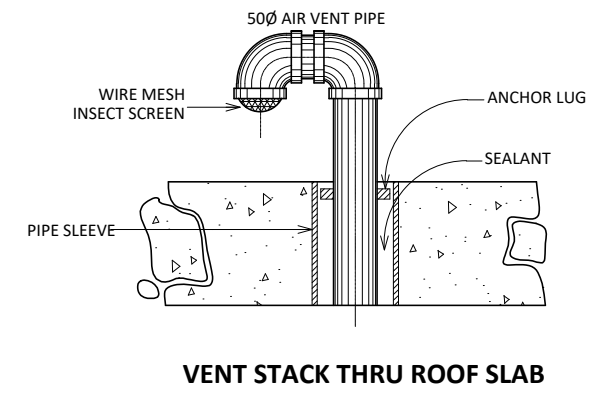
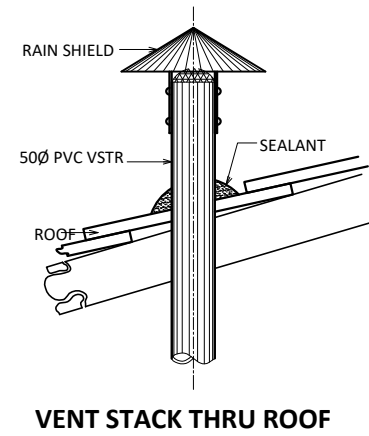
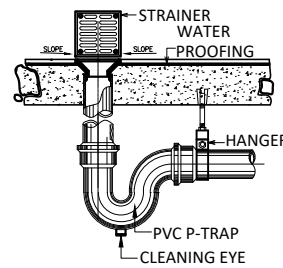
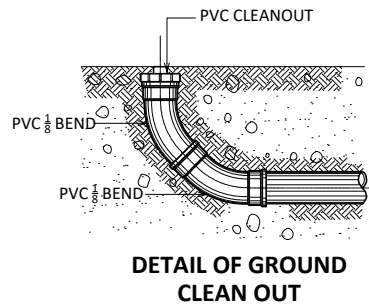
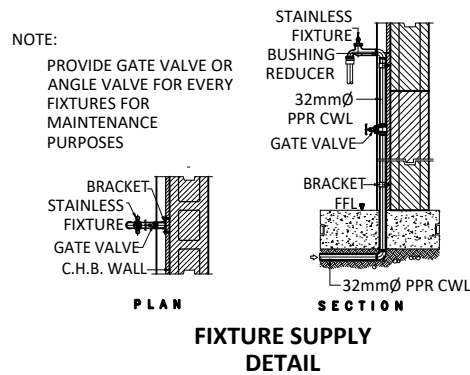
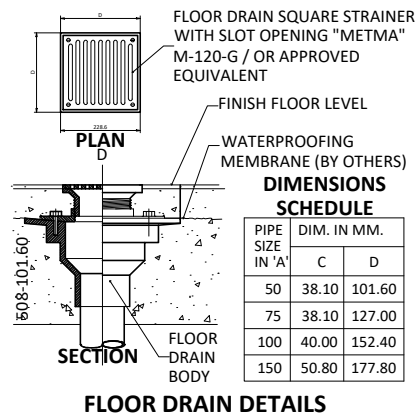
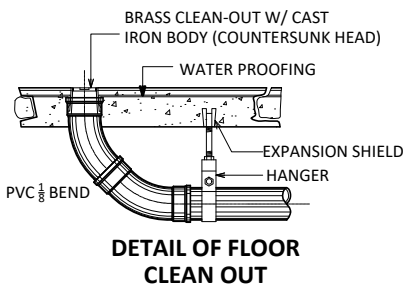
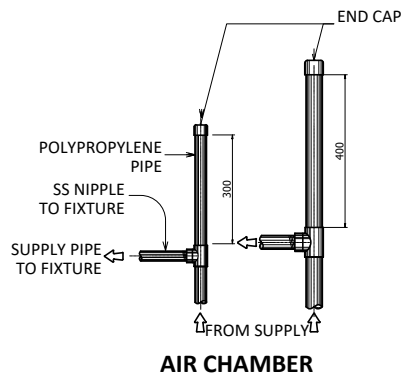
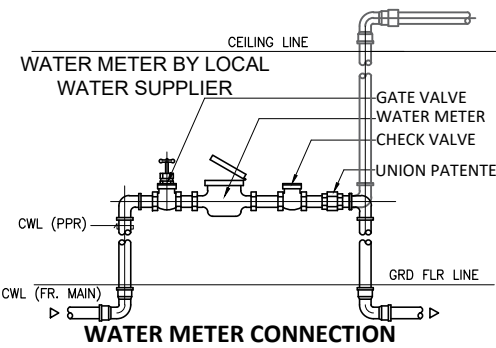
- ALL PLUMBING WORKS INCLUDED HEREIN SHALL BE EXECUTED ACCORDING TO THE PHILIPPINE PLUMBING CODE, THE NATIONAL BUILDING CODE, AND THE RULES AND REGULATION OF THE LOCAL GOVERNMENT AUTHORITIES CONCERNED.
- COORDINATE THE DRAWING WITH OTHER RELATED DRAWINGS AND SPECIFICATIONS, THE ENGINEER SHALL BE NOTIFIED IMMEDIATELY OF ANY DISCREPANCY FOUND HEREIN.
- ALL PIPES SHALL BE INSTALLED AS INDICATED ON PLANS, ANY RELOCATIONS REQUIRED FOR PROPER EXECUTIONS OF OTHER TRADES SHALL BE WITH PRIOR APPROVAL OF THE ARCHITECT OR ENGINEER.
- PROPOSED SANITARY UTILITIES SHALL CONFORM TO THE ACTUAL LOCATION, DEPTH AND INVERT ELEVATION OF ALL EXISTING PIPES AND STRUCTURES AS VERIFIED BY THE CONTRACTOR.
- ALL SLOPES FOR HORIZONTAL DRAINAGES SHALL MAINTAIN 2% AS MINIMUM UNLESS NOTED OTHERWISE.
- ALL FIXTURES SHALL BE VENTED, UNLESS OTHERWISE INDICATED.
- AIR CHAMBER, ALL INDIVIDUAL BRANCHES TO FIXTURES OR GROUP OF FIXTURES AND OR EQUIPMENTS SHALL BE PROVIDED WITH AIR CHAMBER OF CAPPED VERTICAL PIPE EXTENSION OF DIMENSIONS AS SHOWN IN THE DETAILS.
- ALL SEWER LINES SHALL BE PVC SERIES 1000, "NELTEX", "SANIMOLD EXTRA" OR APPROVED EQUAL.
- ALL VENT STACK AND VENT SHALL BE PVC PIPE SERIES 1000, "NELTEX", "SANIMOLD" OR APPROVED EQUAL.
- ALL GALVANIZED IRON PIPES LAID UNDERGROUND AND WITH DIRECT CONTACT WITH THE SOIL SHALL BE PROVIDED WITH THE THREE PROTECTIVE TAR-COVERING THEN WRAP WITH BURLAP.
- MAIN WATER DISTRIBUTION LINE SHALL BE POLYPROPYLENE PIPE(PPR). ALL OTHER PIPES TO BE USED SHALL BE AS PER PLAN AND SPECIFICATIONS.
- ALL COLD WATER LINES SHALL BE TESTED 100 PSI FOR A PERIOD OF TWO (2) HOURS BEFORE COVERING.
- ALL HOT WATER LINES SHALL BE PROPERLY INSULATED
- ALL WET AREAS SHALL BE WATERPROOFED THRO-SEAL, HYGARD, OR APPROVED EQUAL AND SHALL BE TESTED FOR TWENTY-FOUR (24) HOURS PRIOR TO FLOOR TAPPING.
- ALL SEWER/WASTE SHALL BE TESTED AT 1.5M HEAD.
- WASTE LINES SHALL BE HYDRO-STATIC TESTED AT LEAST 100PSI PRIOR TO TAPPING.
- ALL SINKS (KITCHEN, PANTRY, ETC.) SHALL BE PROVIDED WITH CAST-IRON "METMA" OR STAINLESS STEEL GREASE TRAP WITH 10GPM MINIMUM CAPACITY. IF NEEDED
- ALL SEWER/WASTE LINES, VENT AND WATER LINES SHALL BE PROVIDED WITH ADEQUATE STANDARD PIPE HANGER SUPPORT.
- PROVIDE PIPE SLEEVES, AS NEEDED IN WALL PENETRATIONS.
- NO PIPE SHALL PASS THROUGH EXISTING BEAMS AND COLUMNS

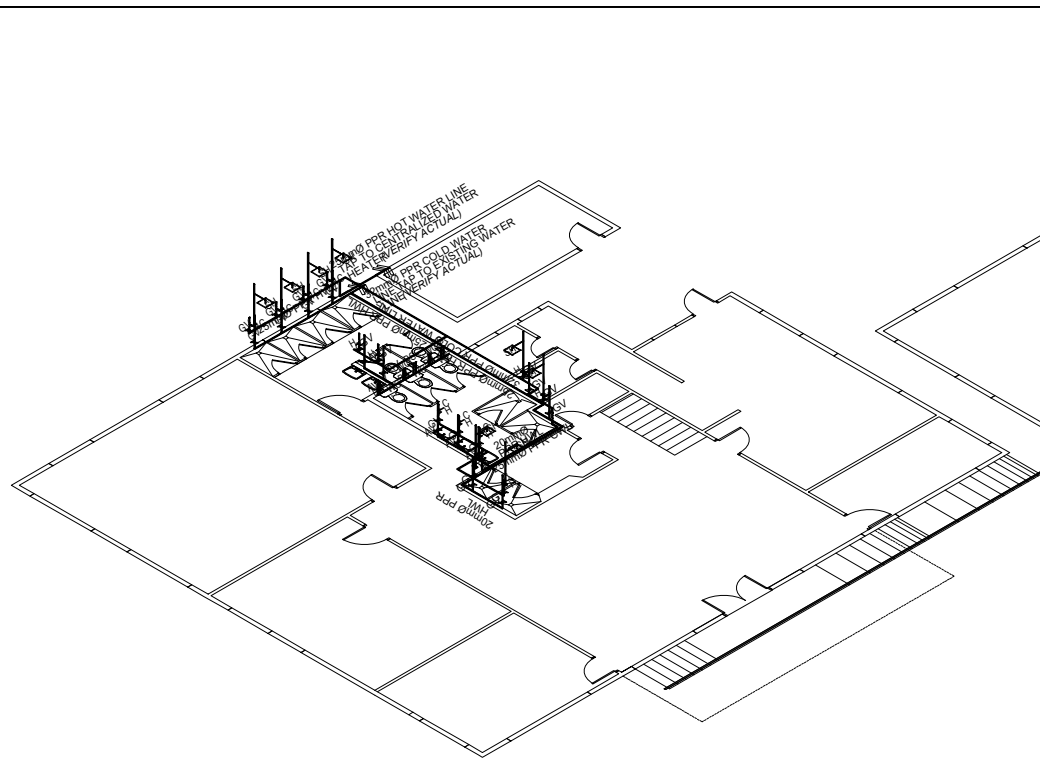
MATERIAL SPECIFICATIONS:

SEWER AND VENT	POLY VINYL CHLORIDE (PVC) PIPES SERIES 1000, "NELTEX", "SANIMOLD EXTRA" OR APPROVED EQUAL.
DRAIN, WASTE & VENT PIPE (DWV)	POLYVINYL CHLORIDE (PVC) PIPES SERIES 1000, AND CLASS 35 SIMILAR TO EMERALD OR ITS APPROVED EQUAL
COLD WATER LINE	POLYPROPYLENE (PPR) PIPES BY "VESBO" OR APPRVED EQUAL
HOT WATER LINE	POLYPROPYLENE (PPR) PIPES BY "VESBO" OR APPRVED EQUAL
VALVES	MANUFACTURED BY "KITZ" BRAND OR APPROVED EQUAL
FLOOR DRAINS	MANUFACTURED BY "METMA" BRAND OR APPROVED EQUAL
HWL INSULATION	25mm FIBERGLASS, 65 Kg/m2 DENSITY, WITH FACTORY APPLIED SERVICE VAPOR BARRIER JACKET
FCU INSULATION	25mm THK RUBBER INSULATION
WATER TANK	"BESTANK" 600 GALS STAINLESS CYLINDER TANK

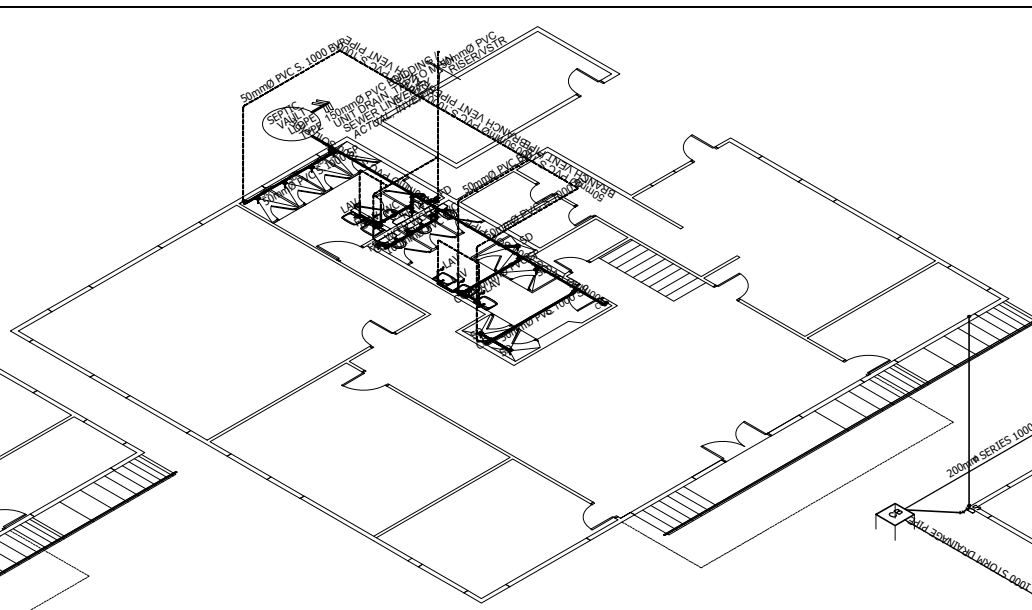
DESIGN LEGENDS:

- GV GATE VALVE
- M WATER METER
- CV CHECK VALVE
- WC WATER CLOSET
- LAV. LAVATORY
- KS KITCHEN SINK
- GT GREASE TRAP
- SHO SHOWER
- HB HOSE BIBB
- CO CLEAN OUT
- FCO FLOOR-CLEAN OUT
- F FAUCET
- WP WATER PUMP
- WT WATER TANK
- 1 TOILET NO.
- MH MANHOLE
- BP BUSTER PUMP
- FLV FLOAT VALVE
- FV FOOT VALVE
- LD LAUNDRY DRAIN
- BS BIDET SPRAY
- VSTR VENT THRU ROOF
- TD TUB DRAIN
- FD FLOOR DRAIN
- GD GUTTER DRAIN
- CB CATCH BASIN
- DS DOWN SPOUT
- SV SEPTIC VAULT TANK
- WC WATER CISTERN
- SS SOIL STACK
- BT BATH TUB
- FC FLEX. CONNECTOR
- PT PRESSURE TANK
- HT HYDROPNEUMATIC
- WP WATER PUMP
- WATER LINE
- SEWER LINE
- STORM LINE
- GT GREASE TRAP
- CD COKE DISPENSER
- CDD COKE DISP. DRAIN
- WF WATER FILTER
- CAP CAP
- THSP TOI. HOR. SOIL PIPE

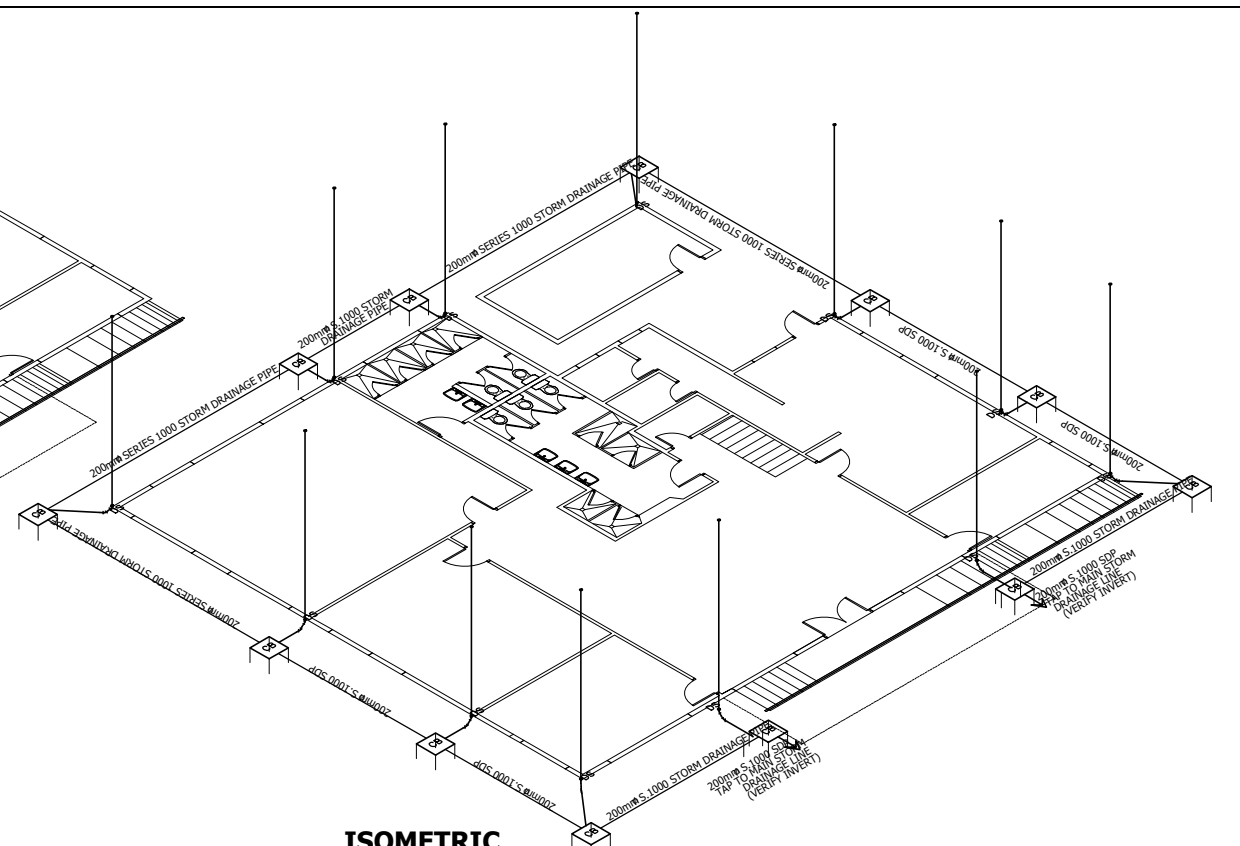




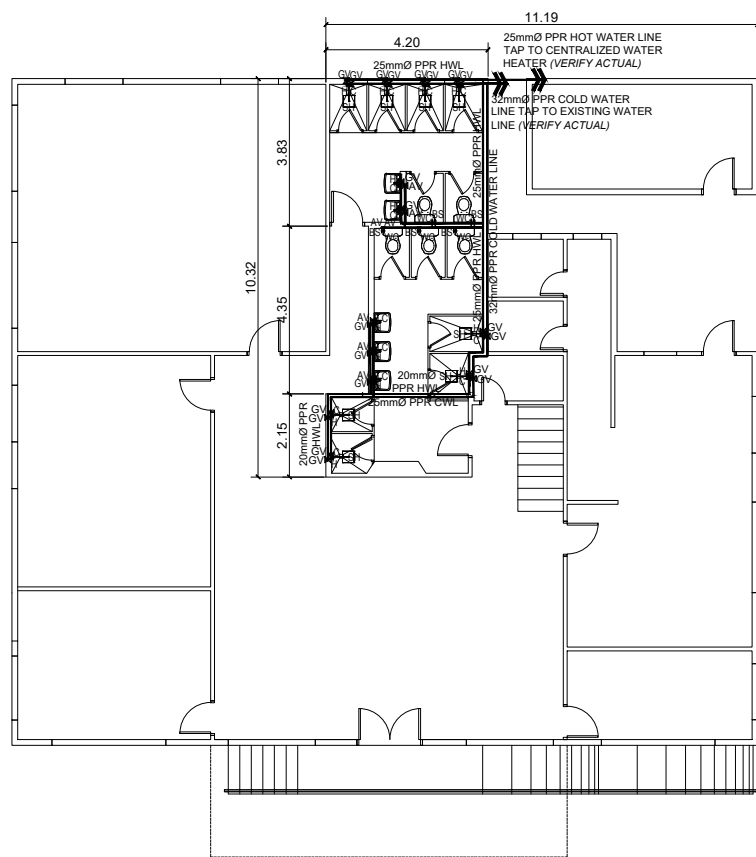
2 ISOMETRIC GROUND FLOOR HOT AND COLD WATER LINE
SCALE 1:100Mts.



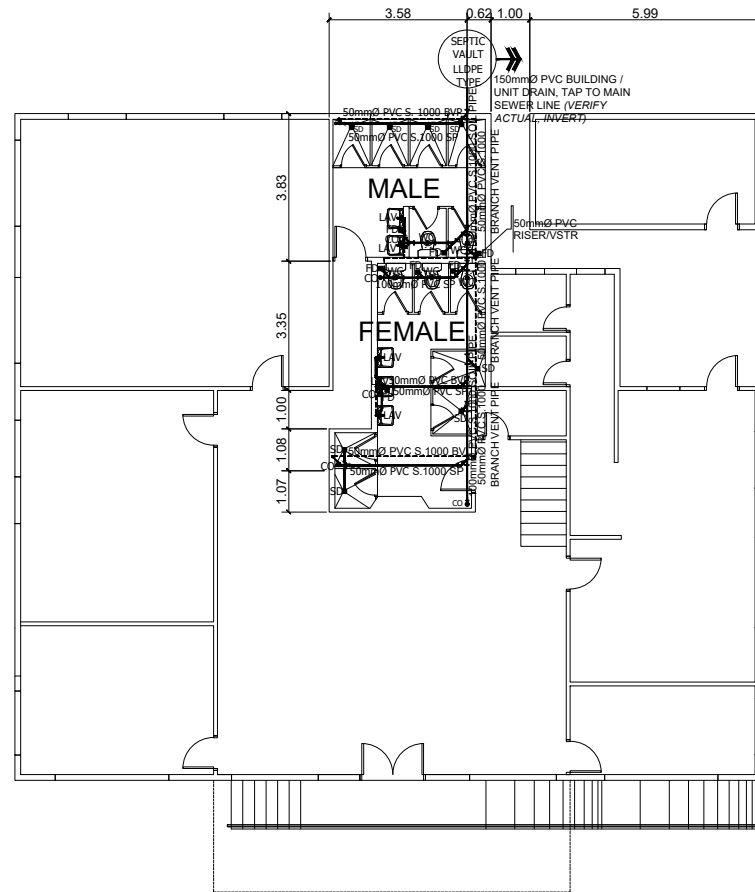
4 ISOMETRIC GROUND FLOOR SEWER LINE
SCALE 1:100Mts.



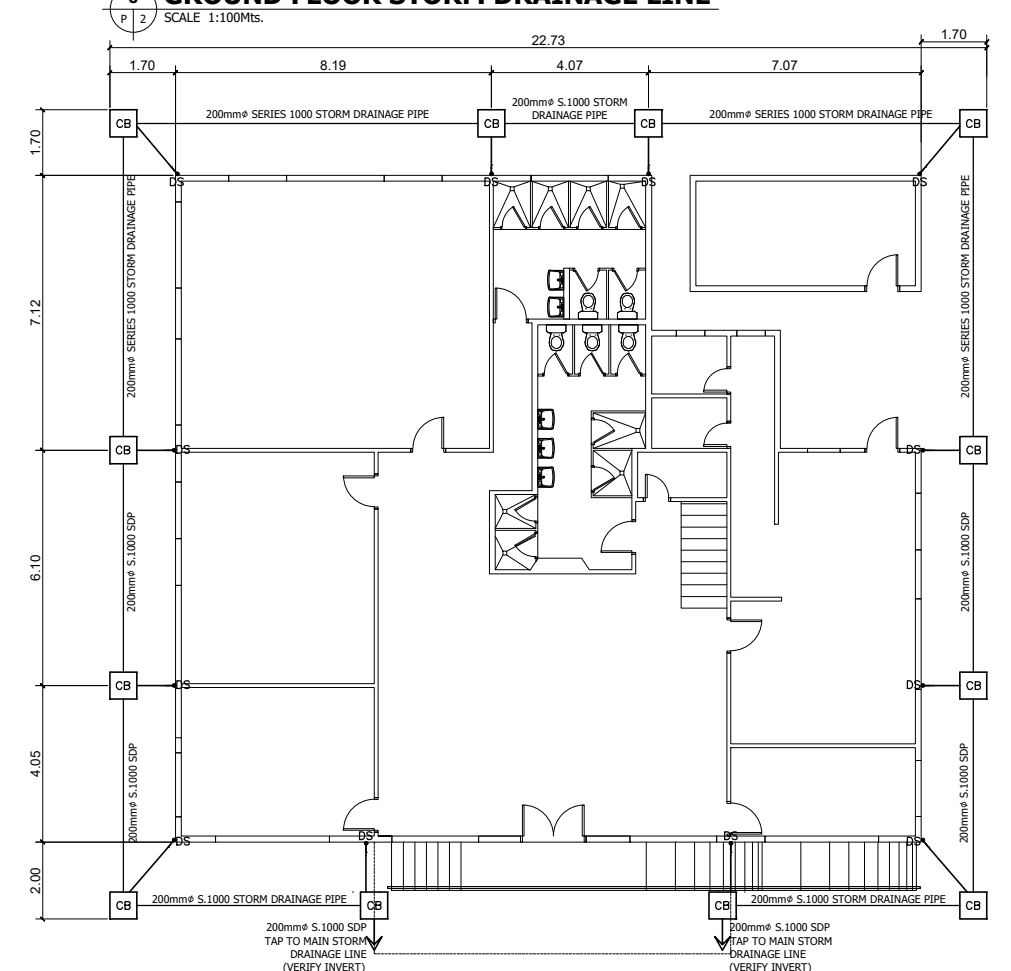
6 ISOMETRIC GROUND FLOOR STORM DRAINAGE LINE
SCALE 1:100Mts.



1 GROUND FLOOR HOT AND COLD WATER LINE
SCALE 1:100Mts.



3 GROUND FLOOR SEWER LINE
SCALE 1:100Mts.



5 GROUND FLOOR STORM DRAINAGE LINE
SCALE 1:100Mts.

<p>REPUBLIC OF THE PHILIPPINES DEPARTMENT OF EDUCATION EDUCATION FACILITIES DIVISION MERALCO AVENUE, PASIG CITY</p>	DRAWN BY : CAMILLE ANN C. RAPOSA MASTER PLUMBER EFD-DepED	CHECKED BY : ALDRIN C. UTAGAO MASTER PLUMBER EFD-DepED	RECOMMENDING APPROVAL : ANNABELLE R. PANGAN CHIEF, EFD DepED	RECOMMENDING APPROVAL : DIOSDADO S. MEDINA CAMP SUPERINTENDENT BAGUIO TEACHERS CAMP, BAGUIO CITY	APPROVED BY : NOLASCO A. MEMPIN UNDERSECRETARY FOR ADMINISTRATION DepED	PROJECT TITLE : REPAIR AND REHABILITATION OF ESCODA HALL	PROJECT CODE:	OWNER : DEPARTMENT OF EDUCATION DepED	SHEET NO: P-2 2
	LOCATION : BAGUIO TEACHERS CAMP, BAGUIO CITY						SHEET CONTENTS : G/F WATER LINE (ISOMETRIC) G/F SEWER LINE (ISOMETRIC) G/F SEWER LINE (ISOMETRIC) G/F STORM DRAINAGE LINE (ISOMETRIC) G/F STORM DRAINAGE LINE (ISOMETRIC)		