

FRONT VIEW

SIDE VIEW

ISOMETRIC VIEW

Description :

- Color : PANTONE 340
- Material : 1.00mm Thick Cold-rolled Steel Sheet, 6mm thick Flexi-Glass Door
- Size : 2.0 meters x 1.20 meters x 0.6 meters
- Feature : Durable and Fashionable

About Cabinet :


1. 1.00mm thickness sheet then powder coat. (Welded surface must be hidden)
2. The cabinet body's material is cold-rolled steel
3. 2 Swinging flexi-glass doors with 2pcs stainless steel 304 handle bars (10mm diameter Stainless Steel 304 Round Bar x 7in. screw mounted in between center. 1 set (Full door 3 way CAM locking system w/ key), and 4 heavy duty detachable hinges(3 inches long) on each door.
4. 3 Adjustable and detachable shelves.
5. Locking system will make the assembly sturdy even without the rivets.
6. Locking system of the collapsible cabinet is subject to approval during sample evaluation.

NOTES:

1. All dimensions are in millimeter unless otherwise specified.
2. Remove burrs and sharp edges.

GOVERNMENT PROPERTY

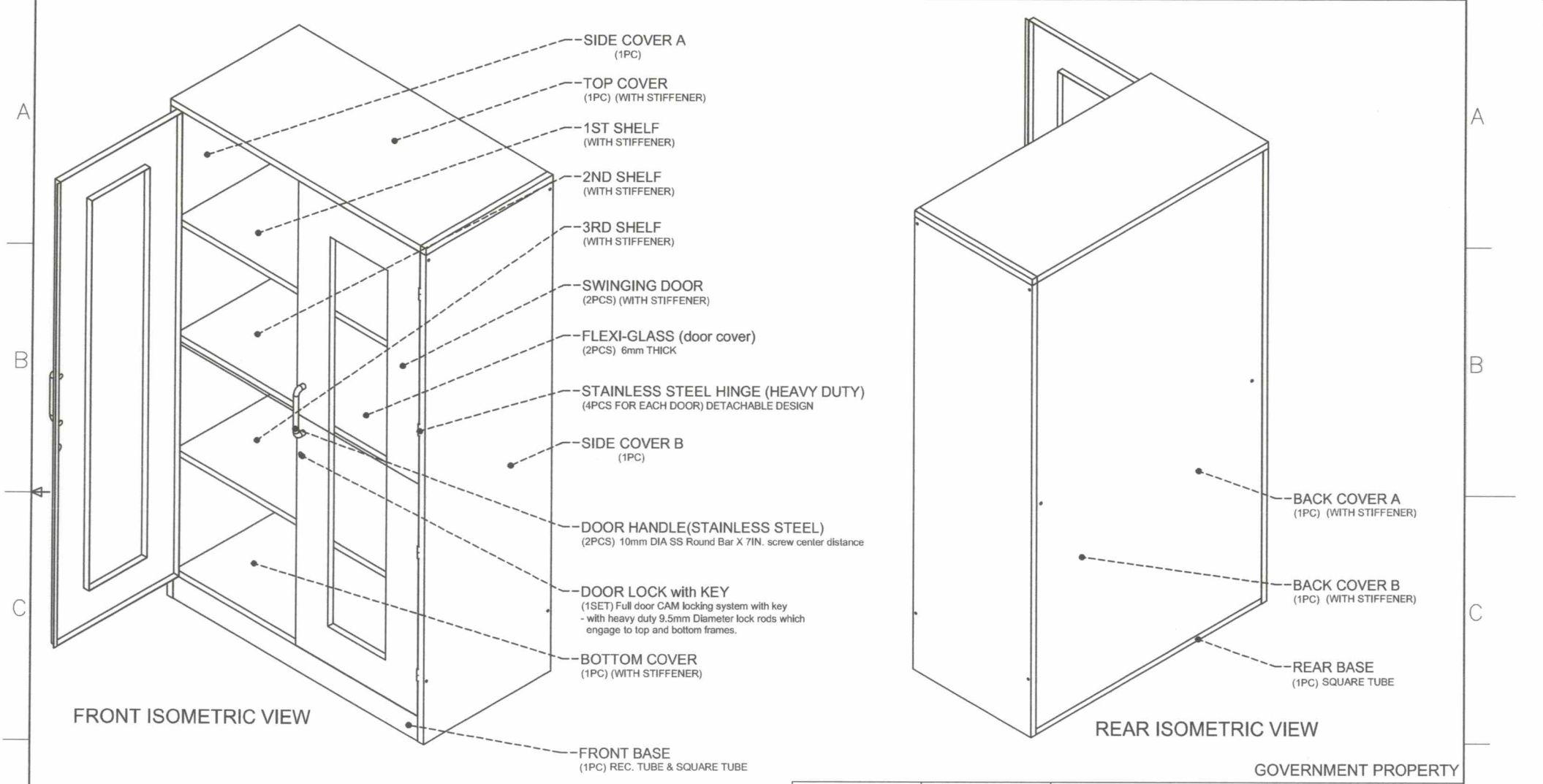
STORAGE CABINET FOR SME

Date	AUG 2022	Scale	(NTS)
Conceptualized by	B C Lisondra		
Drawn by	BC Lisondra	Q.C. Checked by	J.N. Arioja
Designed by	BC Lisondra	Recommended by	M. S. Maquilas
Item Name	COLLAPSIBLE STEEL CABINET ASSEMBLY	Material	1mm THICK COLD-ROLLED STEEL SHEET
Sheet	01/14	File name	cabinetforsme
Approved by	R. C. La Rosa	 DepED - BLR	

TOLERANCES FOR LENGTH GAUGING					
Grade of Accuracy	Nominal Size	Over 0.5 to 3	Over 3 to 6	Over 6 to 30	Over 30 to 120
Medium		± 0.10	± 0.10	± 0.20	± 0.30
Over 120 to 400					± 0.50
TOLERANCES FOR RADIUS & CHAMFERS					
Grade of Accuracy	Nominal Size	Over 0.5 to 3	Over 3 to 6	Over 6 to 30	Over 30 to 120
Smooth		± 0.20	± 0.50	± 1.00	± 2.00
Medium					

SYM	REVISION	DATE	BY

1 2 3 4 5 6 7



FRONT ISOMETRIC VIEW

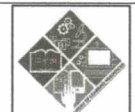
REAR ISOMETRIC VIEW

GOVERNMENT PROPERTY

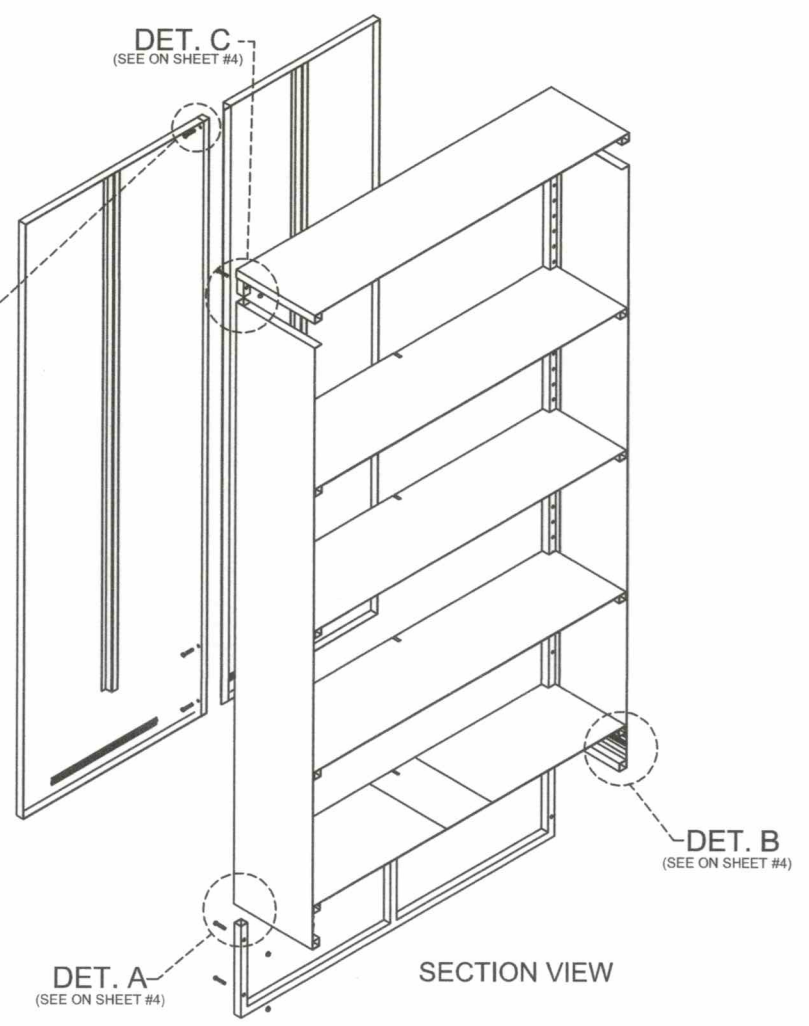
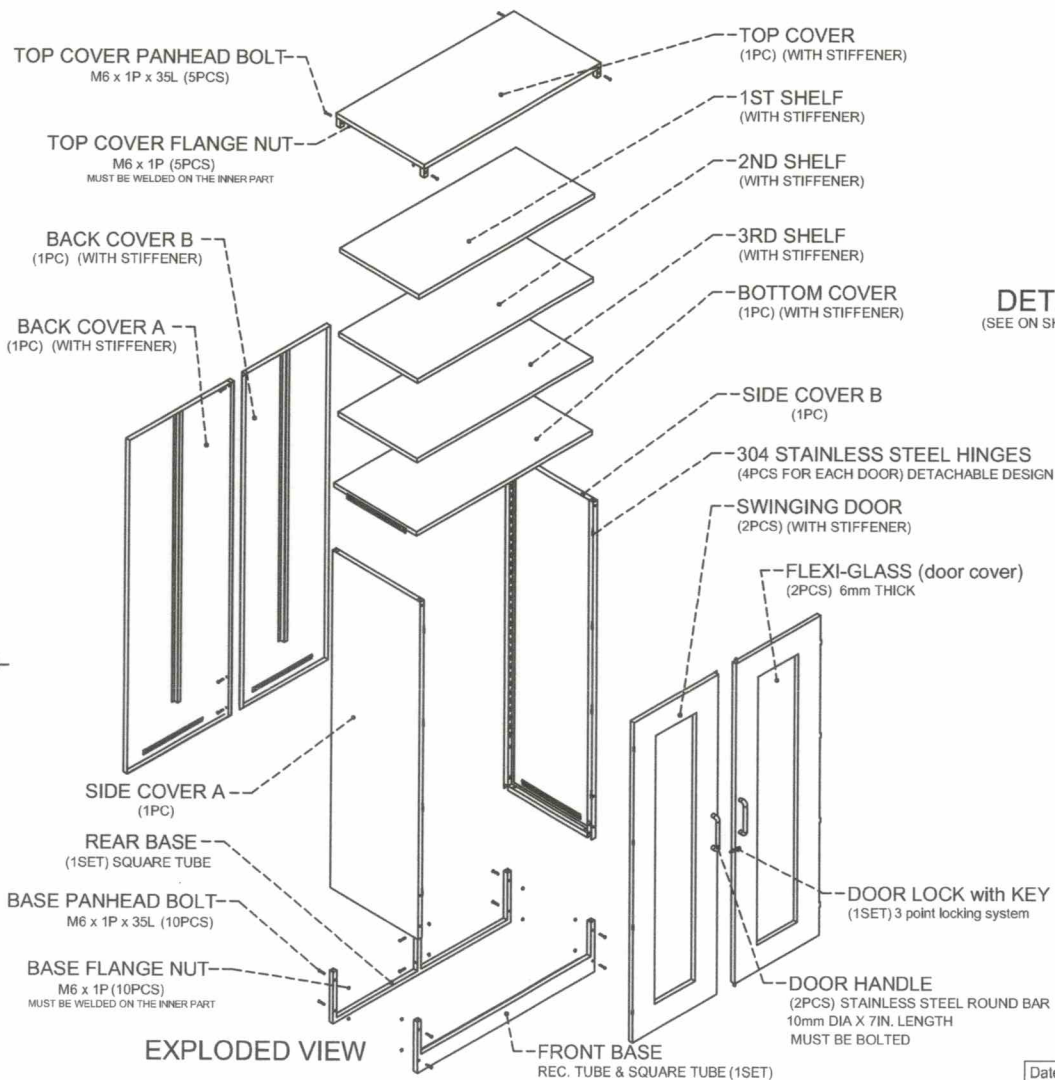
NOTES:
 1. All dimensions are in millimeter unless otherwise specified
 2. Remove burrs and sharp edges.

TOLERANCES FOR LENGTH GAUGING						
Grade of Accuracy	Nominal Size	Over 0.5 to 3	Over 3 to 6	Over 6 to 30	Over 30 to 120	Over 120 to 400
Medium		+ 0.10	+ 0.10	+ 0.20	+ 0.30	+ 0.50

TOLERANCES FOR RADIUS & CHAMFERS					
Grade of Accuracy	Nominal Size	Over 0.5 to 3	Over 3 to 6	Over 6 to 30	Over 30 to 120
Smooth Medium		+ 0.20	+ 0.50	+ 1.00	+ 2.00

Date	AUG 2022	Scale	(NTS)
Conceptualized by			
Drawn by	BC Lisondra	Item Name	COLLAPSIBLE STEEL CABINET ASSEMBLY
Designed by	Q.C. Checked by	Material	1mm THICK COLD-ROLLED STEEL SHEET
BC Lisondra	J.N. Arioja	Sheet	02/14
Recommended by	M. S. Maquilas	File name	cabinetforsme
Approved by	R. C. La Rosa	 DepED - BLR	

1 2 3 4 5 6



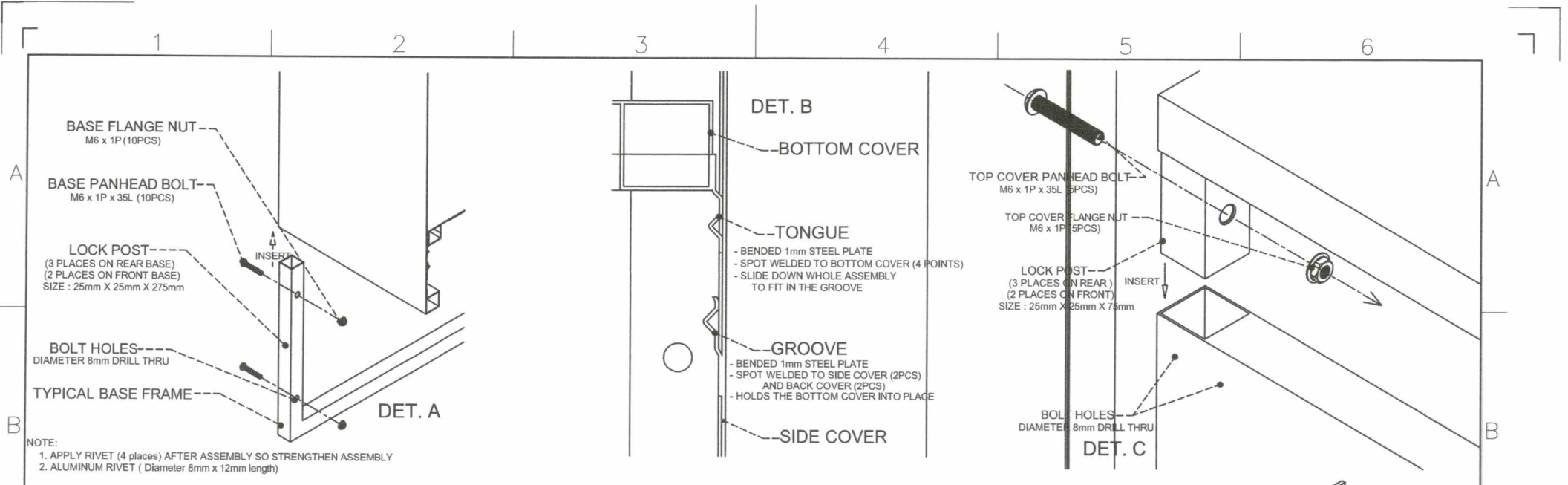
NOTES:
 1. All dimensions are in millimeter unless otherwise specified
 2. Remove burrs and sharp edges.

TOLERANCES FOR LENGTH GAUGING					
Grade of Accuracy	Nominal Size	Over 0.5 to 3	Over 3 to 6	Over 6 to 30	Over 30 to 120
Medium		± 0.10	± 0.10	± 0.20	± 0.30
TOLERANCES FOR RADIUS & CHAMFERS					
Grade of Accuracy	Nominal Size	Over 0.5 to 3	Over 3 to 6	Over 6 to 30	Over 30 to 120
Smooth Medium		± 0.20	± 0.50	± 1.00	± 2.00

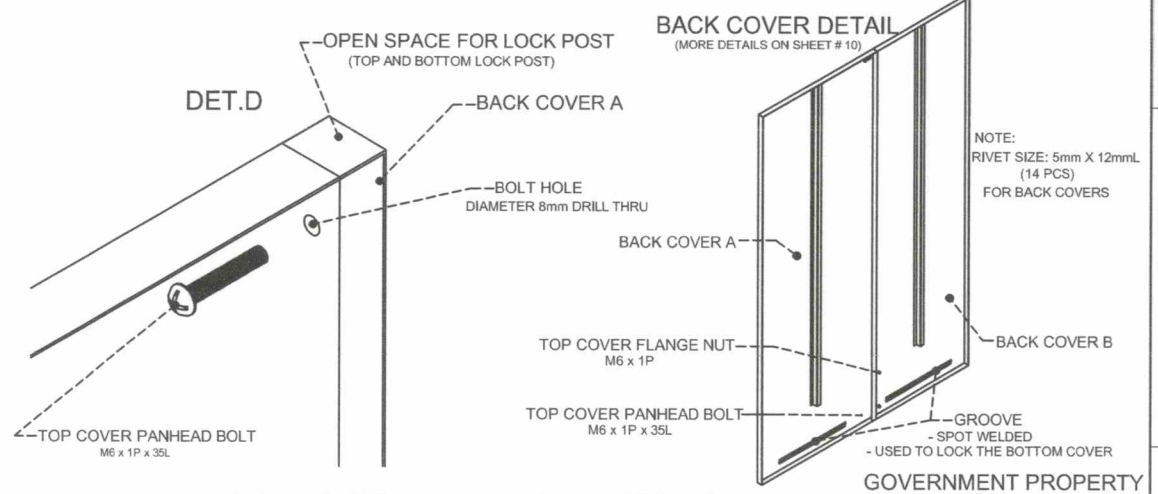
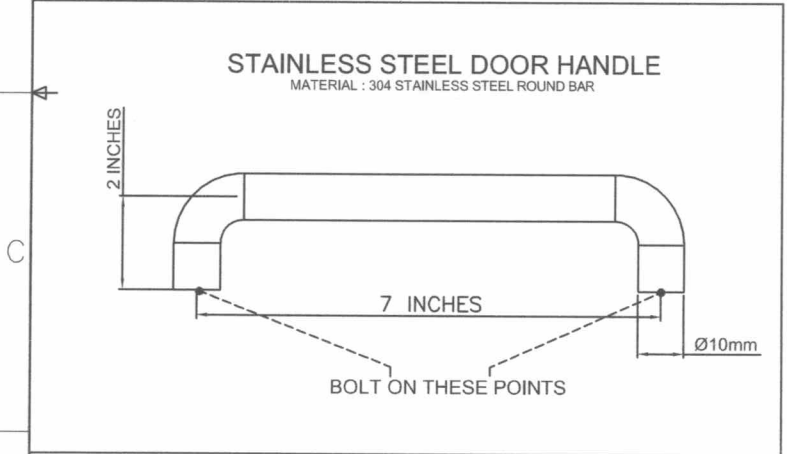
GOVERNMENT PROPERTY

Date	AUG 2022	Scale	(NTS)	STORAGE CABINET FOR SME	
Conceptualized by					
Drawn by	BC Lisondra	Item Name	COLLAPSIBLE STEEL CABINET ASSEMBLY		Sheet 03/14
Designed by	BC Lisondra	Material	1mm THICK COLD-ROLLED STEEL SHEET		File name cabinetforsme
Checked by	J.N. Arioja	 DepED - BLR			
Recommended by	M. S. Maquilas				
Approved by	R. C. La Rosa				

SYM REVISION DATE BY




NOTE:
 1. APPLY RIVET (4 places) AFTER ASSEMBLY SO STRENGTHEN ASSEMBLY
 2. ALUMINUM RIVET (Diameter 8mm x 12mm length)



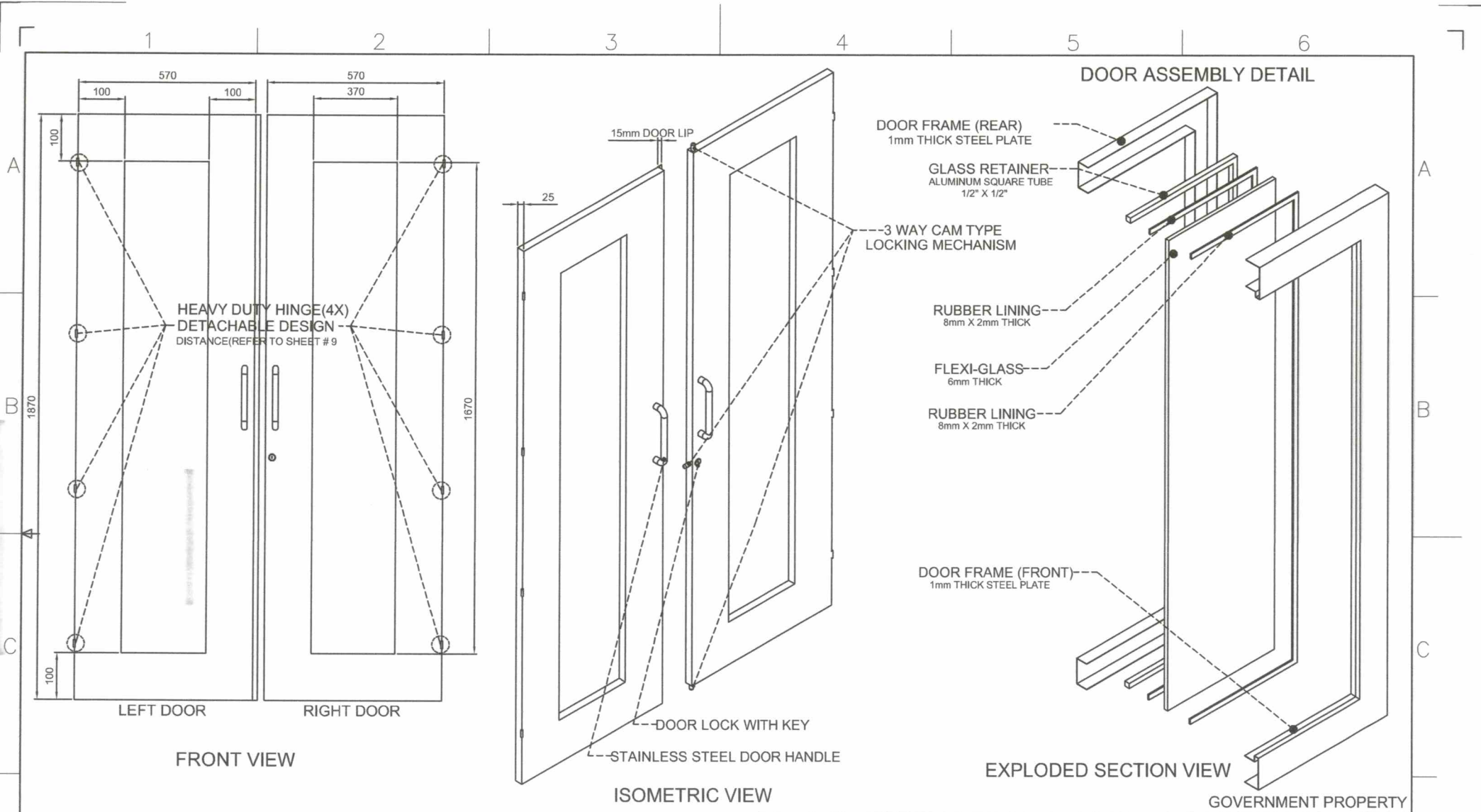
NOTES:
 1. All dimensions are in millimeter unless otherwise specified
 2. Remove burrs and sharp edges.

TOLERANCES FOR LENGTH GAUGING						
Grade of Accuracy	Nominal Size	Over 0.5 to 3	Over 3 to 6	Over 6 to 30	Over 30 to 120	Over 120 to 400
Medium		+ 0.10	+ 0.10	+ 0.20	+ 0.30	+ 0.50

TOLERANCES FOR RADIUS & CHAMFERS					
Grade of Accuracy	Nominal Size	Over 0.5 to 3	Over 3 to 6	Over 6 to 30	Over 30 to 120
Smooth Medium		+ 0.20	+ 0.50	+ 1.00	+ 2.00

Date	AUG 2022	Scale	(NTS)
Conceptualized by			
Drawn by	BC Lisondra	Item Name	STORAGE CABINET FOR SME
Designed by	Q.C. Checked by	Collapsible Steel Cabinet Details	Sheet 04/14
BC Lisondra	J.N. Ajoja	Material	File name cabinetforsme
		1mm THICK COLD-ROLLED STEEL SHEET	
Recommended by	M. S. Maquilas	 DepED - BLR	
Approved by	R. C. La Rosa		

GOVERNMENT PROPERTY



GOVERNMENT PROPERTY

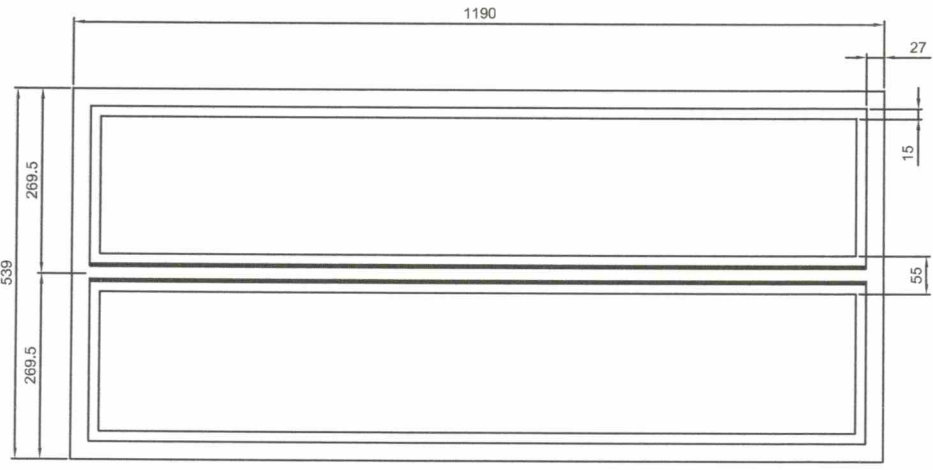
- NOTES:**
 1. All dimensions are in millimeter unless otherwise specified
 2. Remove burrs and sharp edges.

TOLERANCES FOR LENGTH GAUGING						
Grade of Accuracy	Nominal Size	Over 0.5 to 3	Over 3 to 6	Over 6 to 30	Over 30 to 120	Over 120 to 400
Medium		+ 0.10	+ 0.10	+ 0.20	+ 0.30	+ 0.50
TOLERANCES FOR RADIUS & CHAMFERS						
Grade of Accuracy	Nominal Size	Over 0.5 to 3	Over 3 to 6	Over 6 to 30	Over 30 to 120	
Smooth Medium		+ 0.20	+ 0.50	+ 1.00	+ 2.00	

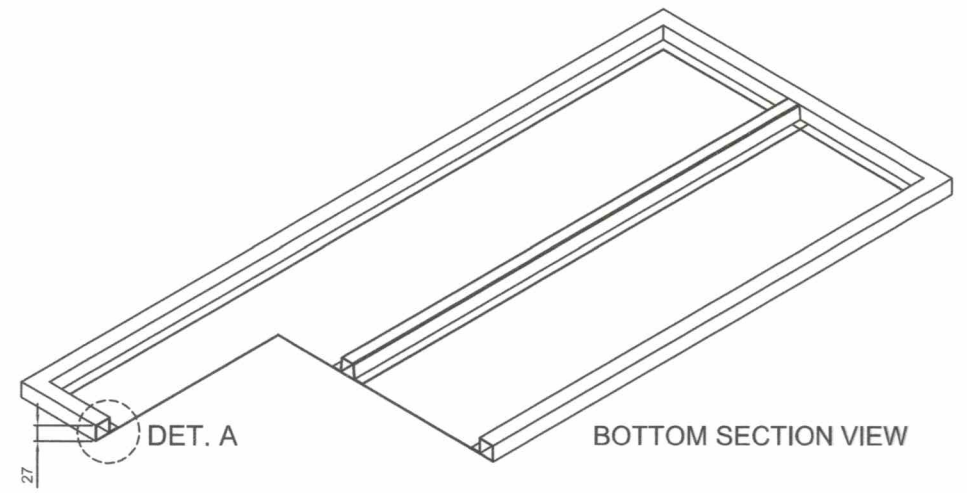
Date	AUG 2022	Scale	(NTS)	STORAGE CABINET FOR SME	
Conceptualized by					
Drawn by	B C Lisondra	Item Name	DOOR DETAIL	Sheet	05/14
Designed by	BC Lisondra	Material	1mm THICK COLD-ROLLED STEEL SHEET	File name	cabinetforsme
Q.C. Checked by	J.N. Arioja			DepED - BLR	
Recommended by	M. S. Maquilas				
Approved by	R. C. La Rosa				

SYM	REVISION	DATE	BY

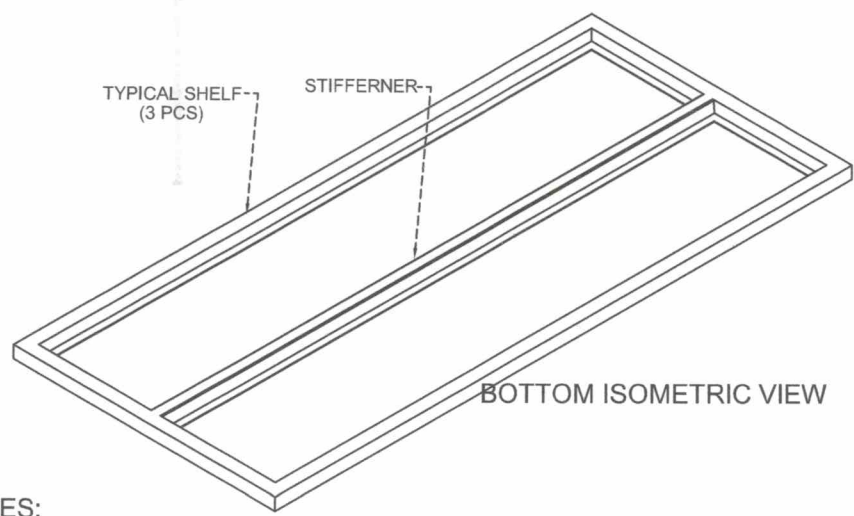
1 2 3 4 5 6 7



TOP VIEW

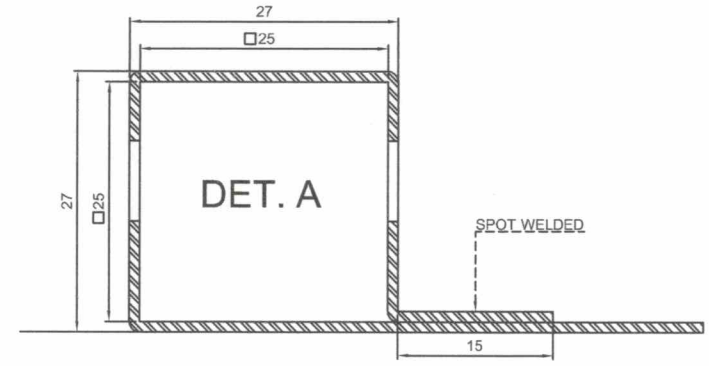


BOTTOM SECTION VIEW



BOTTOM ISOMETRIC VIEW

TYPICAL BENDING DETAIL



SECTION VIEW

GOVERNMENT PROPERTY

- NOTES:**
 1. All dimensions are in millimeter unless otherwise specified
 2. Remove burrs and sharp edges.

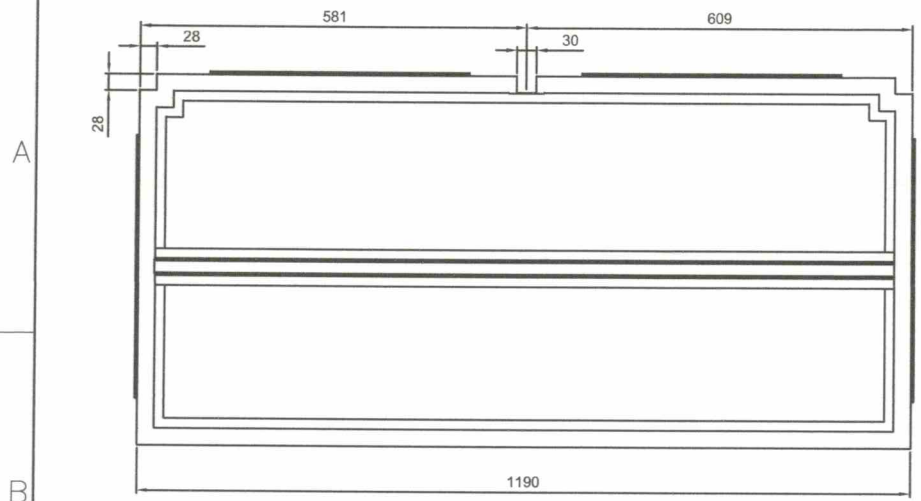
TOLERANCES FOR LENGTH GAUGING						
Grade of Accuracy	Nominal Size	Over 0.5 to 3	Over 3 to 6	Over 6 to 30	Over 30 to 120	Over 120 to 400
Medium		± 0.10	± 0.10	± 0.20	± 0.30	± 0.50

TOLERANCES FOR RADIUS & CHAMFERS					
Grade of Accuracy	Nominal Size	Over 0.5 to 3	Over 3 to 6	Over 6 to 30	Over 30 to 120
Smooth Medium		± 0.20	± 0.50	± 1.00	± 2.00

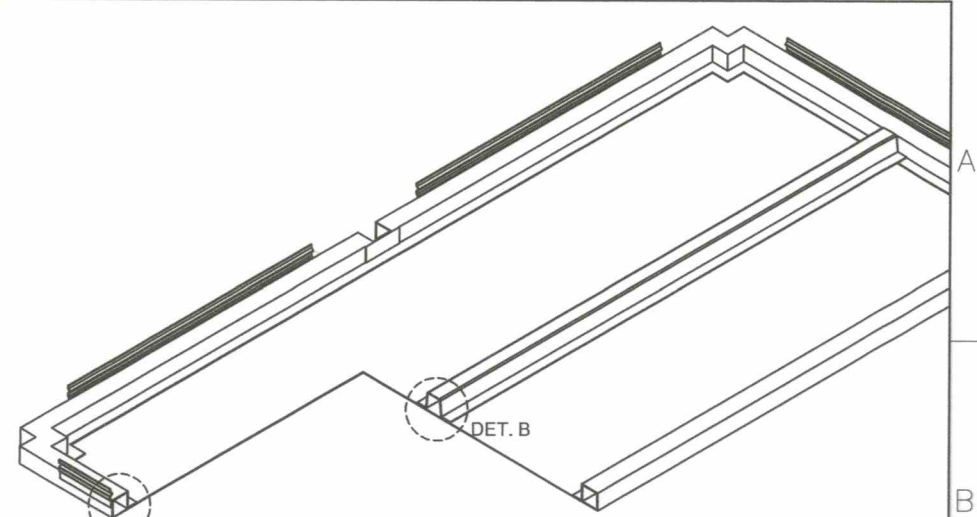
Date	AUG 2022	Scale	(NTS)	STORAGE CABINET FOR SME	
Conceptualized by					
Drawn by	BC Lisondra	Checked by	J.N. Arioja	TYPICAL SHELF DETAIL	06/14
Designed by	BC Lisondra	Material	1mm THICK COLD-ROLLED STEEL SHEET	File name	cabinetforsme
Recommended by	M. S. Maquilas			DepED - BLR	
Approved by	R. C. La Rosa				

1 2 3 4 5 6

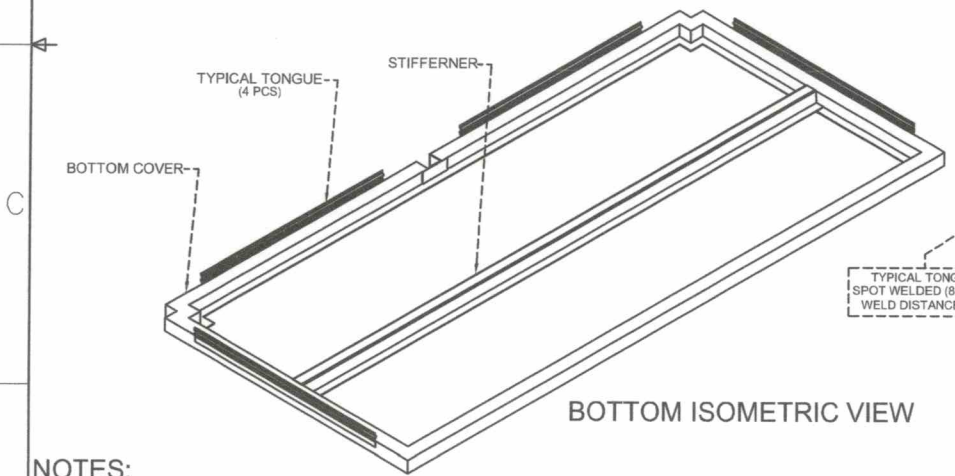
1 2 3 4 5 6



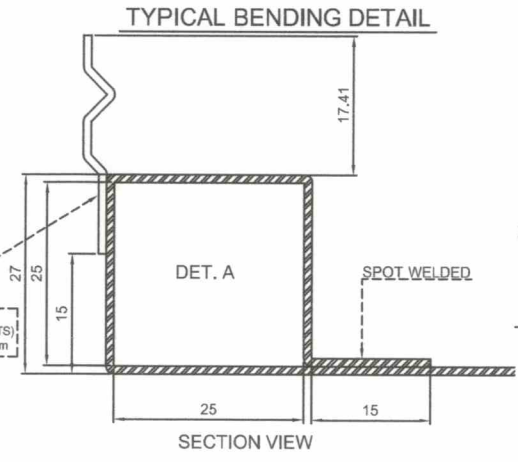
TOP VIEW



BOTTOM SECTION VIEW

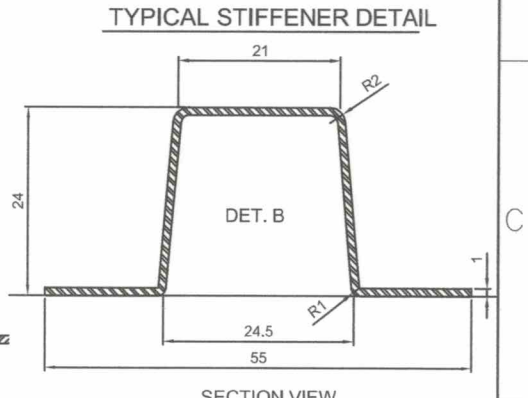


BOTTOM ISOMETRIC VIEW



TYPICAL BENDING DETAIL

SECTION VIEW




TYPICAL STIFFENER DETAIL

SECTION VIEW

GOVERNMENT PROPERTY

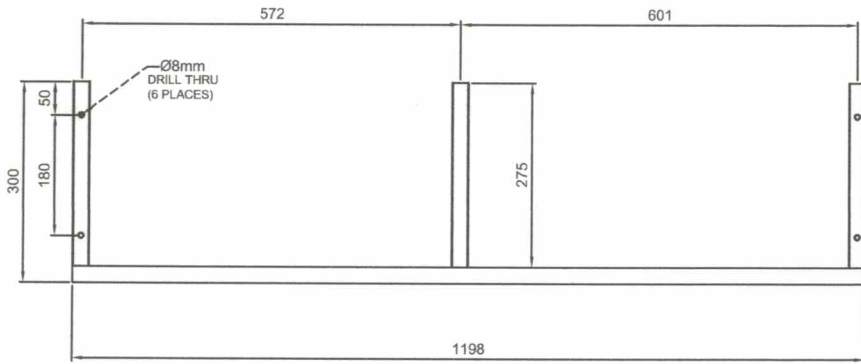
- NOTES:**
 1. All dimensions are in millimeter unless otherwise specified
 2. Remove burrs and sharp edges.

TOLERANCES FOR LENGTH GAUGING						
Grade of Accuracy	Nominal Size	Over 0.5 to 3	Over 3 to 6	Over 6 to 30	Over 30 to 120	Over 120 to 400
Medium		± 0.10	± 0.10	± 0.20	± 0.30	± 0.50
TOLERANCES FOR RADIUS & CHAMFERS						
Grade of Accuracy	Nominal Size	Over 0.5 to 3	Over 3 to 6	Over 6 to 30	Over 30 to 120	
Smooth Medium		± 0.20	± 0.50	± 1.00	± 2.00	

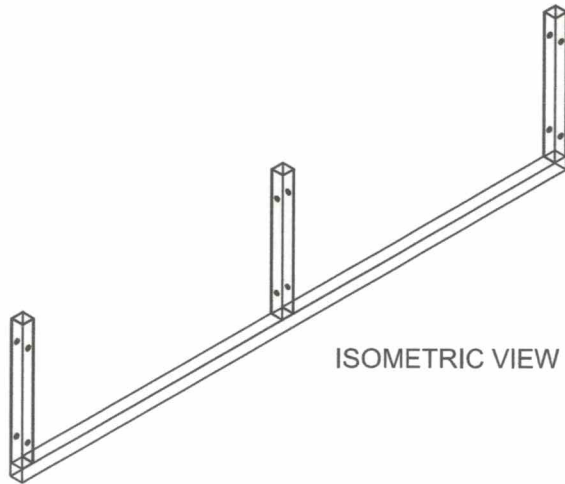
Date	AUG 2022	Scale	(NTS)	STORAGE CABINET FOR SME		
Conceptualized by						
Drawn by	BC Lisondra	Item Name	BOTTOM COVER DETAIL		Sheet	07/14
Designed by	BC Lisondra	Material	1mm THICK COLD-ROLLED STEEL SHEET		File name	cabinetforsme
Recommended by	M. S. Maquillas			DepED - BLR		
Approved by	R. C. La Rosa					

1 2 3 4 5 6

REAR BASE FRAME



FRONT VIEW



ISOMETRIC VIEW

NOTES:

1. All dimensions are in millimeter unless otherwise specified
2. Remove burrs and sharp edges.

TOLERANCES FOR LENGTH GAUGING

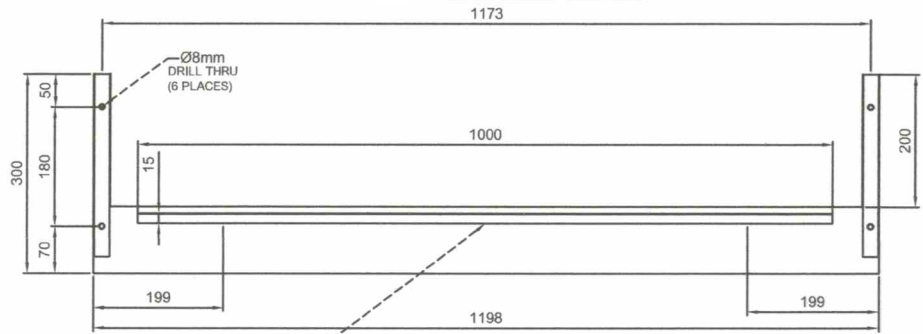
Grade of Accuracy	Nominal Size	0.5 to 3	Over 3 to 6	Over 6 to 30	Over 30 to 120	Over 120 to 400
Medium		+ 0.10	+ 0.10	+ 0.20	+ 0.30	+ 0.50

TOLERANCES FOR RADIUS & CHAMFERS

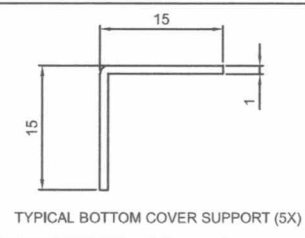
Grade of Accuracy	Nominal Size	0.5 to 3	Over 3 to 6	Over 6 to 30	Over 30 to 120
Smooth Medium		+ 0.20	+ 0.50	+ 1.00	+ 2.00

SYM REVISION DATE BY

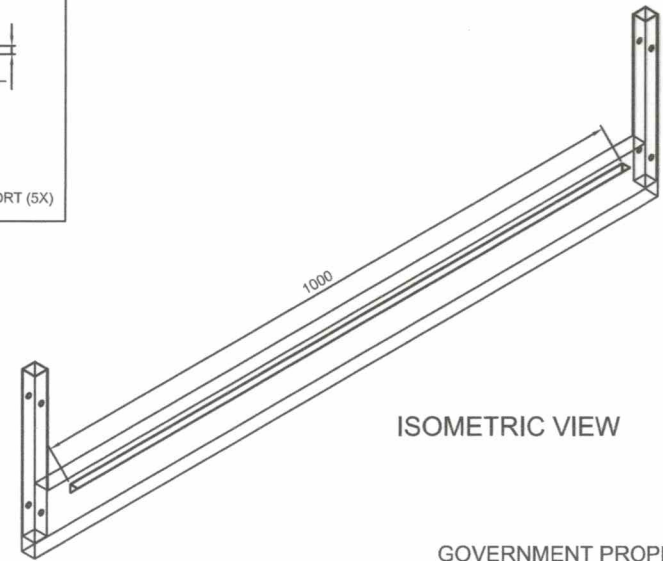
FRONT BASE FRAME



FRONT VIEW




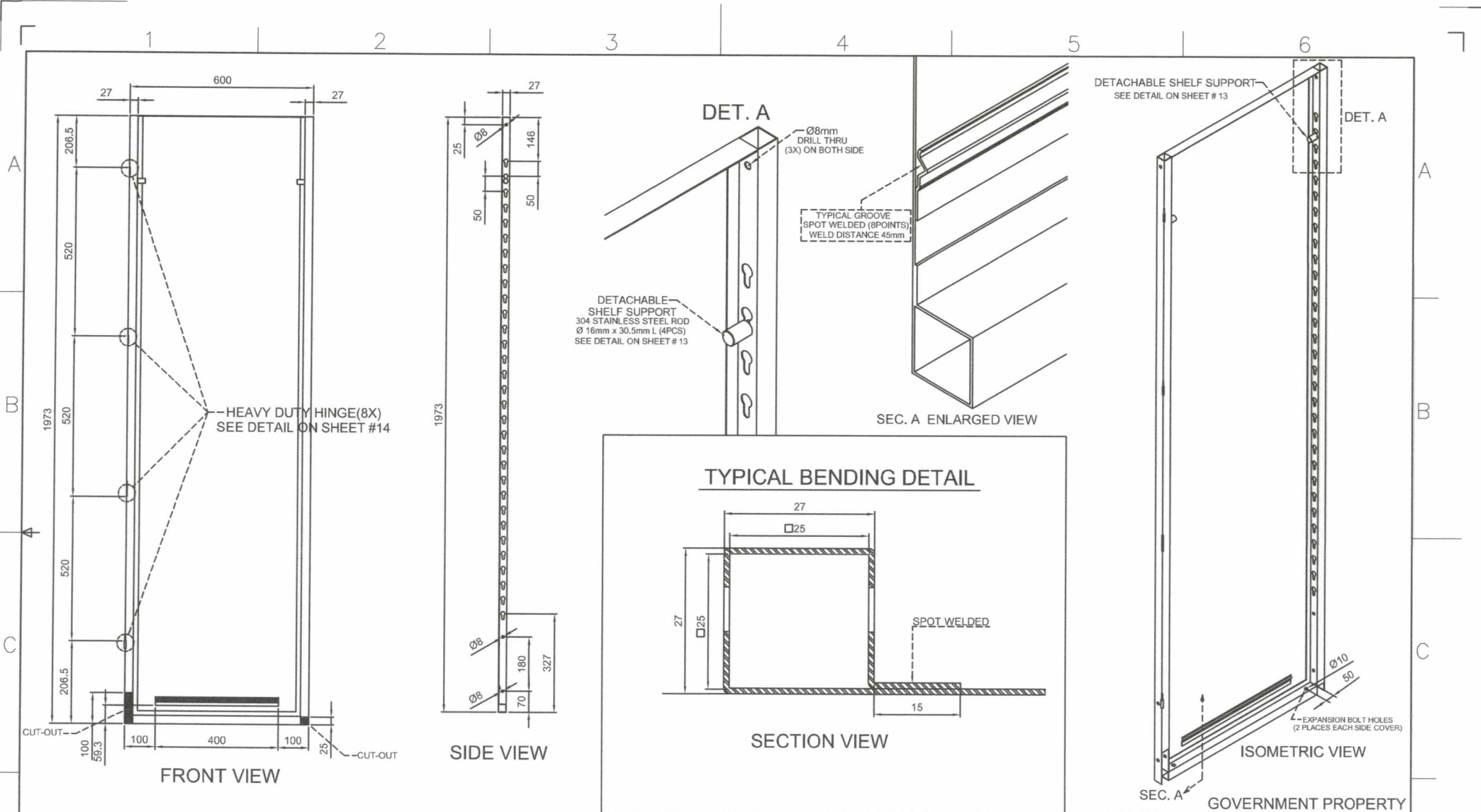
TYPICAL BOTTOM COVER SUPPORT (5X)



ISOMETRIC VIEW

GOVERNMENT PROPERTY

Date	AUG 2022	Scale	(NTS)	STORAGE CABINET FOR SME	
Conceptualized by					
Drawn by	BC Lisondra	Item Name	REAR AND FRONT BASE FRAME DETAIL	Sheet	08/14
Designed by	Q.C. Checked by	Material	1mm THICK SQUARE TUBE AND REC. TUBE	File name	cabinetforsme
Recommended by	M. S. Maquilas	 DepED - BLR			
Approved by	R. C. La Rosa				



NOTES:
 1. All dimensions are in millimeter unless otherwise specified
 2. Remove burrs and sharp edges.

TOLERANCES FOR LENGTH GAUGING

Grade of Accuracy	Nominal Size	Over 0.5 to 3	Over 3 to 6	Over 6 to 30	Over 30 to 120	Over 120 to 400
Medium		+ 0.10	+ 0.10	+ 0.20	+ 0.30	+ 0.50

TOLERANCES FOR RADIUS & CHAMFERS

Grade of Accuracy	Nominal Size	Over 0.5 to 3	Over 3 to 6	Over 6 to 30	Over 30 to 120
Smooth Medium		+ 0.20	+ 0.50	+ 1.00	+ 2.00

SYM	REVISION	DATE	BY

Date	AUG 2022	Scale	(NTS)
Conceptualized by			
Drawn by	B C Lisondra		
Designed by	Q.C. Checked by		
BC Lisondra	J.N. Arioja		
Recommended by	M. S. Maquilas		
Approved by	R. C. La Rosa		

STORAGE CABINET FOR SME

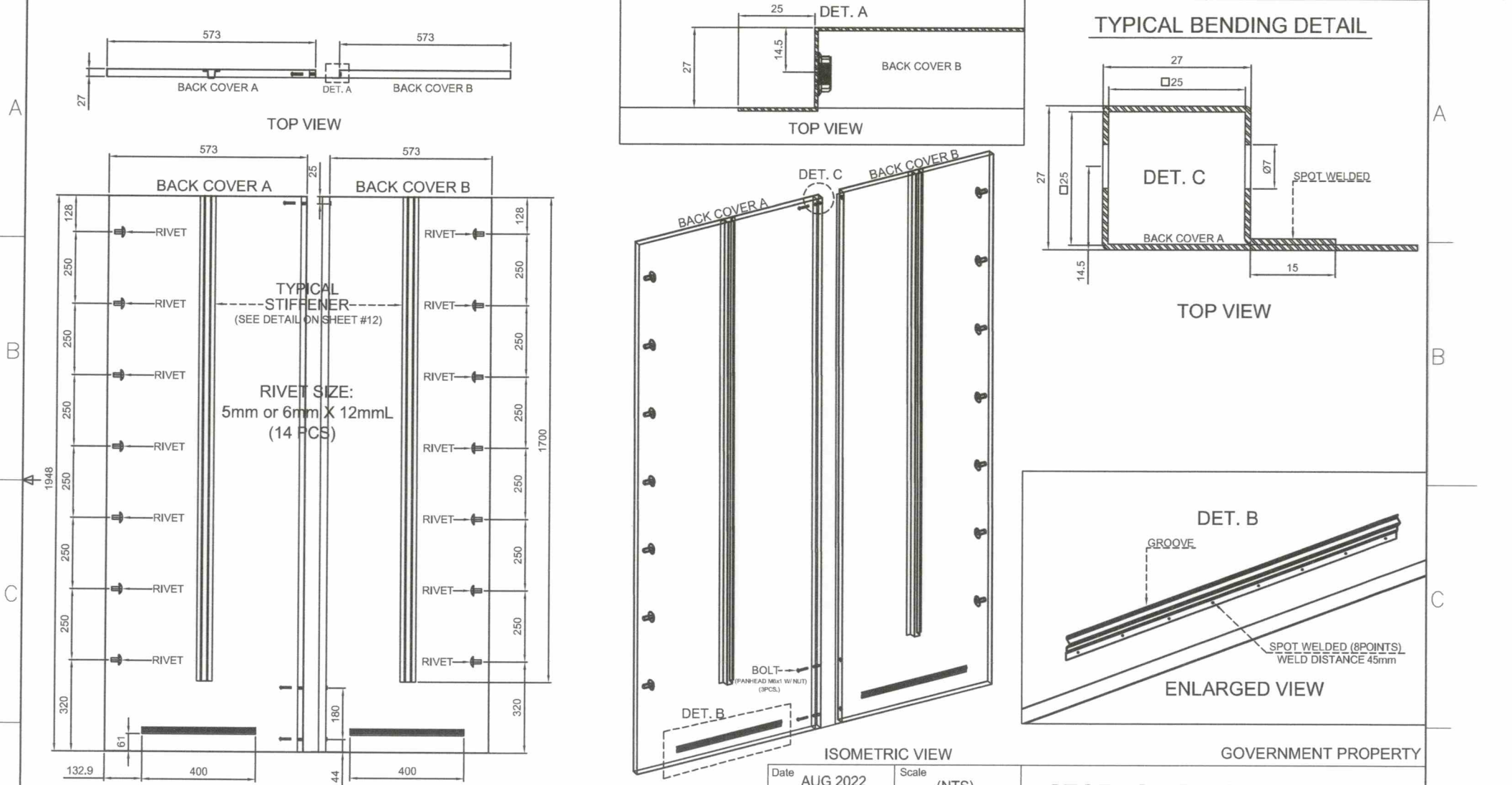
Item Name	TYPICAL SIDE COVER DETAIL	Sheet	09/14
Material	1mm THICK COLD-ROLLED STEEL SHEET	File name	cabinetforsme



DepED - BLR

GOVERNMENT PROPERTY

1 2 3 4 5 6 7



NOTES:
 1. All dimensions are in millimeter unless otherwise specified
 2. Remove burrs and sharp edges.

TOLERANCES FOR LENGTH GAUGING						
Grade of Accuracy	Nominal Size	Over 0.5 to 3	Over 3 to 6	Over 6 to 30	Over 30 to 120	Over 120 to 400
Medium		+ 0.10	+ 0.10	+ 0.20	+ 0.30	+ 0.50

TOLERANCES FOR RADIUS & CHAMFERS					
Grade of Accuracy	Nominal Size	Over 0.5 to 3	Over 3 to 6	Over 6 to 30	Over 30 to 120
Smooth Medium		+ 0.20	+ 0.50	+ 1.00	+ 2.00

SYM	REVISION	DATE	BY

Date	AUG 2022	Scale	(NTS)
Conceptualized by			
Drawn by	B C Lisondra		
Designed by	Q.C. Checked by		
	BC Lisondra	J.N. Arioja	
Recommended by	M. S. Maquilas		
Approved by	R. C. La Rosa		

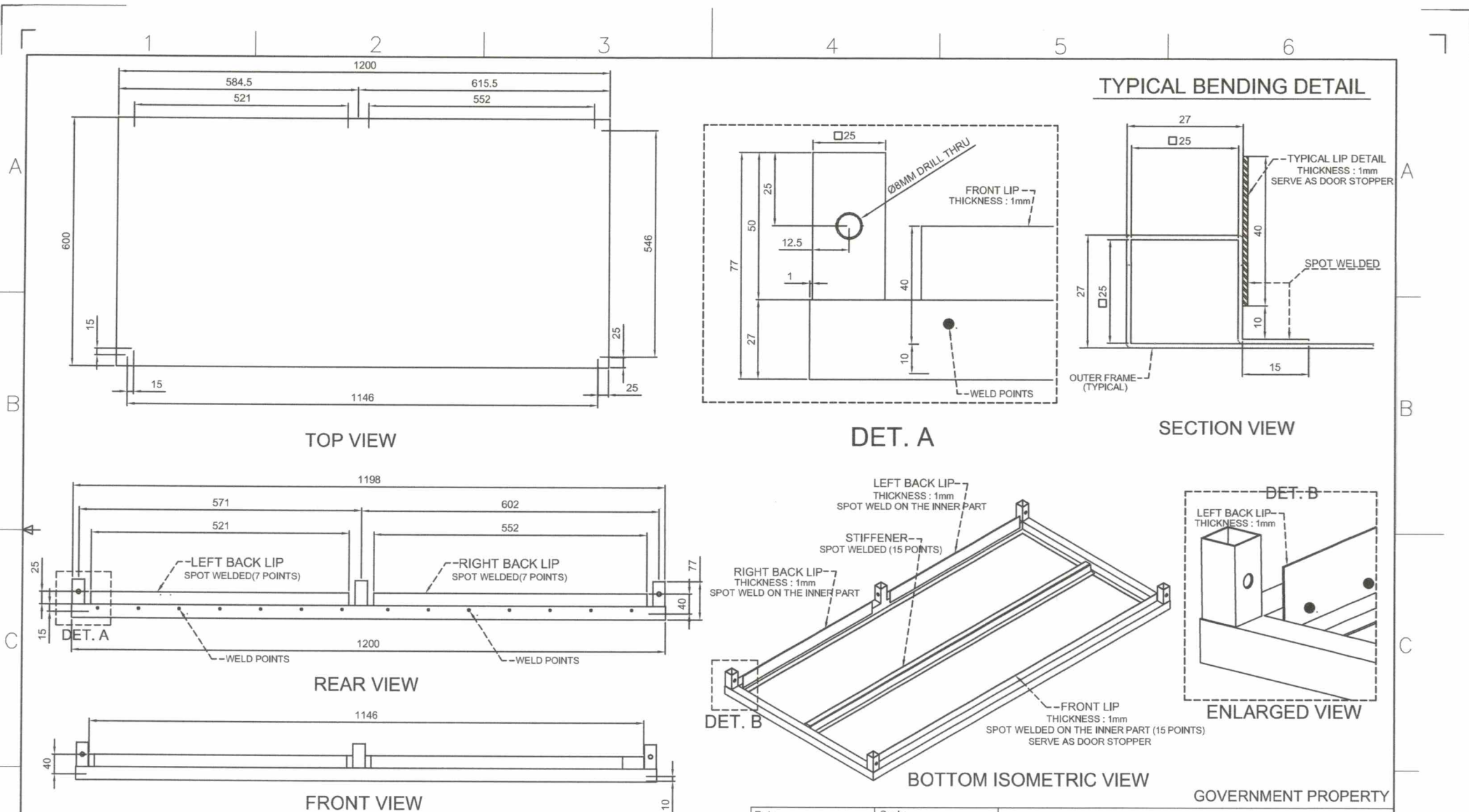
GOVERNMENT PROPERTY

STORAGE CABINET FOR SME

Item Name	BACK COVERS A AND B DETAIL	Sheet	10/14
Material	1mm THICK COLD-ROLLED STEEL SHEET	File name	cabinetforsme

DepED - BLR

1 2 3 4 5 6 7



NOTES:
 1. All dimensions are in millimeter unless otherwise specified
 2. Remove burrs and sharp edges.

TOLERANCES FOR LENGTH GAUGING						
Grade of Accuracy	Nominal Size	Over 0.5 to 3	Over 3 to 6	Over 6 to 30	Over 30 to 120	Over 120 to 400
Medium		± 0.10	± 0.10	± 0.20	± 0.30	± 0.50

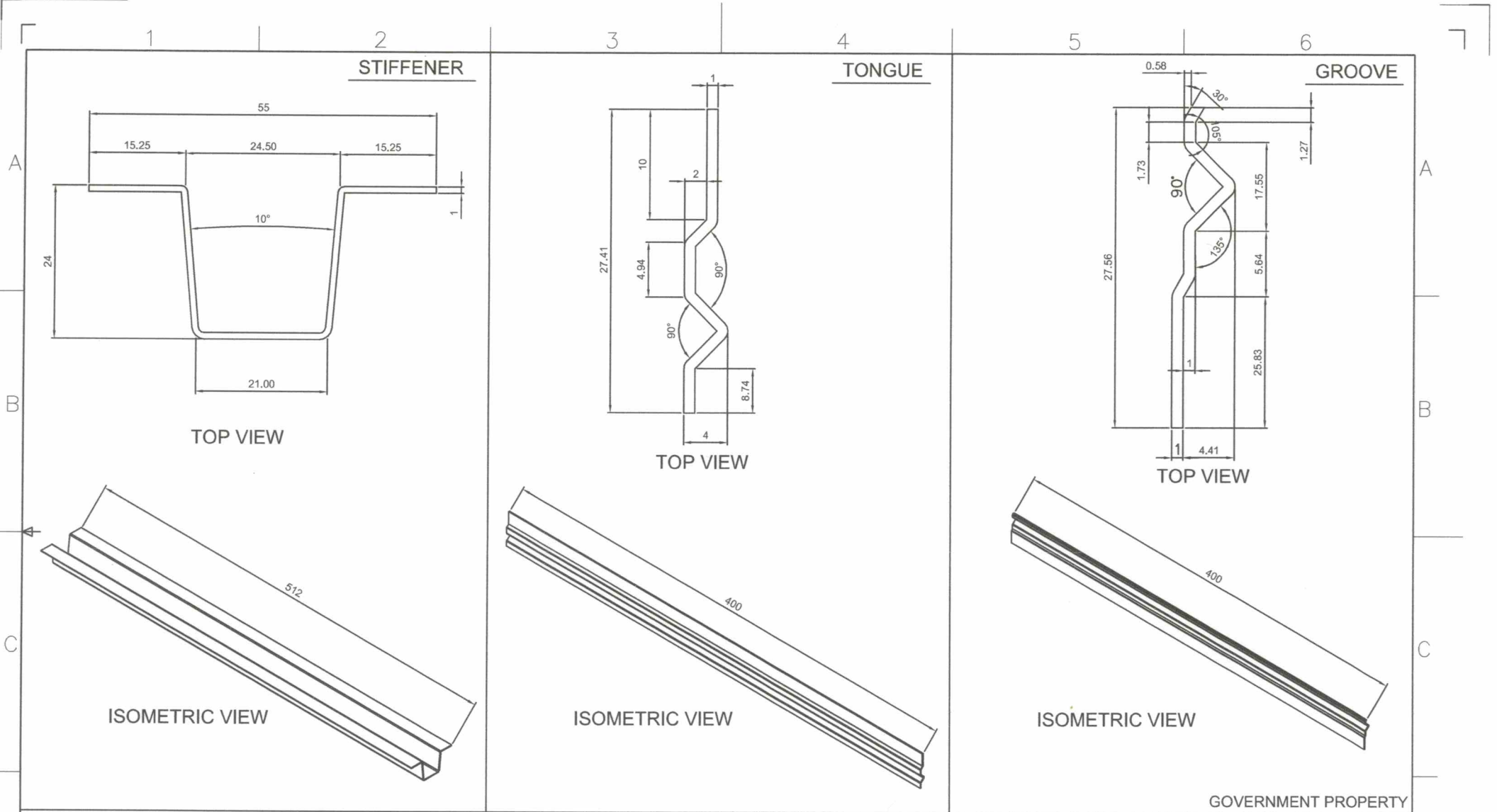
TOLERANCES FOR RADIUS & CHAMFERS					
Grade of Accuracy	Nominal Size	Over 0.5 to 3	Over 3 to 6	Over 6 to 30	Over 30 to 120
Smooth Medium		± 0.20	± 0.50	± 1.00	± 2.00

GOVERNMENT PROPERTY

Date	AUG 2022	Scale	(NTS)	STORAGE CABINET FOR SME	
Conceptualized by					
Drawn by	BC Lisondra	Item Name	TOP COVER DETAIL	Sheet	11/14
Designed by	BC Lisondra	Q.C. Checked by	J.N. Arioja	Material	1mm THICK COLD-ROLLED STEEL SHEET
Recommended by	M. S. Maquilas	Approved by	R. C. La Rosa	File name	cabinetforsme

DepED - BLR

SYM	REVISION	DATE	BY



GOVERNMENT PROPERTY

NOTES:

1. All dimensions are in millimeter unless otherwise specified
2. Remove burrs and sharp edges.

TOLERANCES FOR LENGTH GAUGING						
Grade of Accuracy	Nominal Size	Over 0.5 to 3	Over 3 to 6	Over 6 to 30	Over 30 to 120	Over 120 to 400
Medium		± 0.10	± 0.10	± 0.20	± 0.30	± 0.50


TOLERANCES FOR RADIUS & CHAMFERS					
Grade of Accuracy	Nominal Size	Over 0.5 to 3	Over 3 to 6	Over 6 to 30	Over 30 to 120
Smooth Medium		± 0.20	± 0.50	± 1.00	± 2.00

SYM	REVISION	DATE	BY

Date	AUG 2022	Scale	(NTS)
Conceptualized by			
Drawn by	BC Lisondra		
Designed by	BC Lisondra	Q.C. Checked by	J.N. Arioja
Recommended by	M. S. Maquilas		
Approved by	R. C. La Rosa		

STORAGE CABINET FOR SME

Item Name	TYPICAL VARIOUS PARTS DETAIL	Sheet	12/14
Material	1mm THICK COLD-ROLLED STEEL SHEET	File name	cabinetforsme

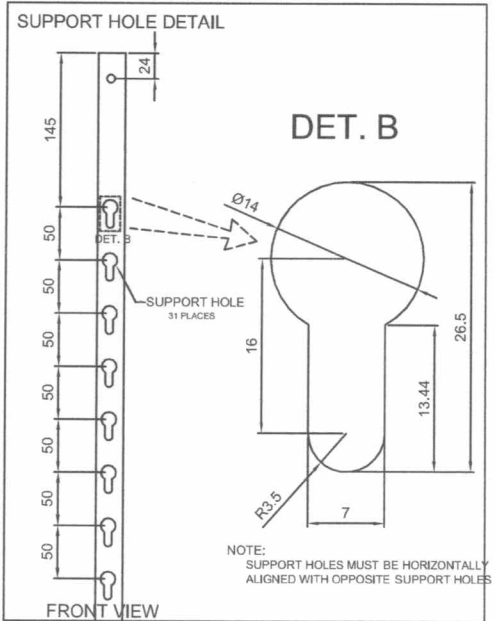
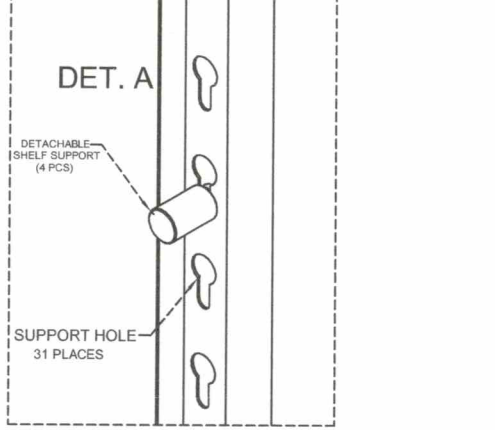
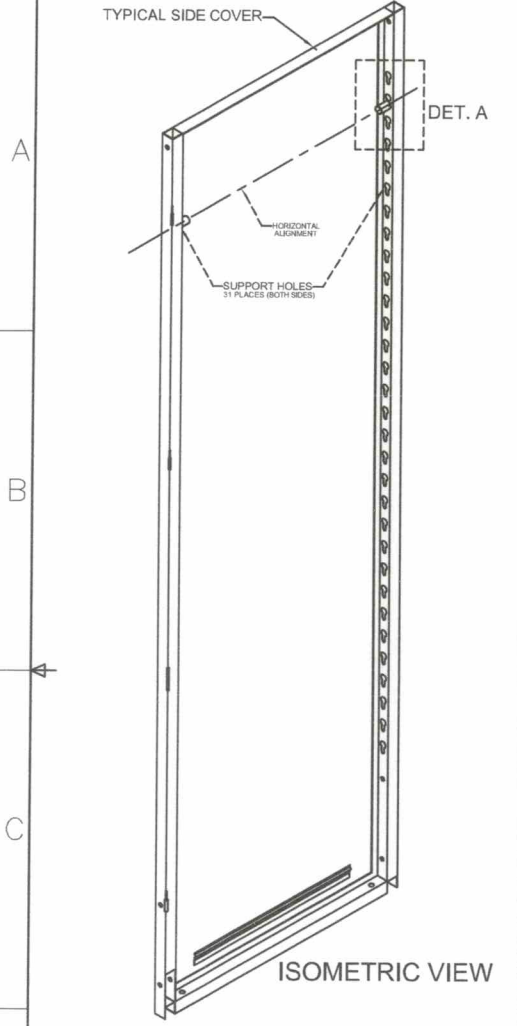


DepED - BLR

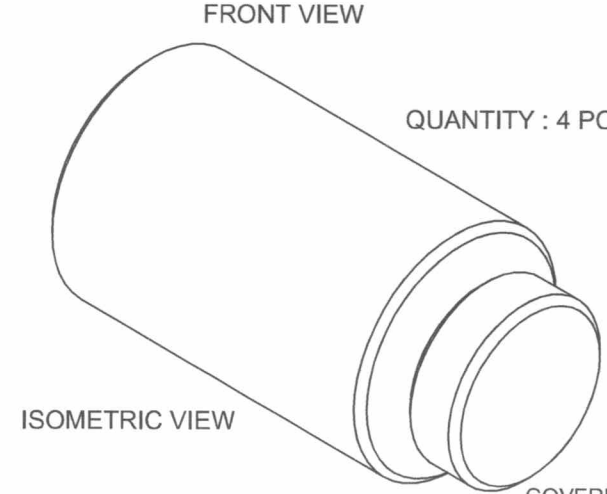
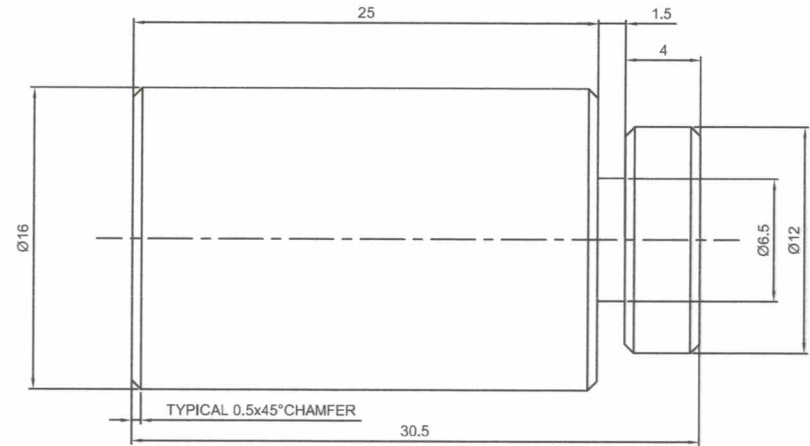
D

D

1 2 3 4 5 6



DETACHABLE SHELF SUPPORT



QUANTITY : 4 PCS.

GOVERNMENT PROPERTY

- NOTES:**
 1. All dimensions are in millimeter unless otherwise specified
 2. Remove burrs and sharp edges.

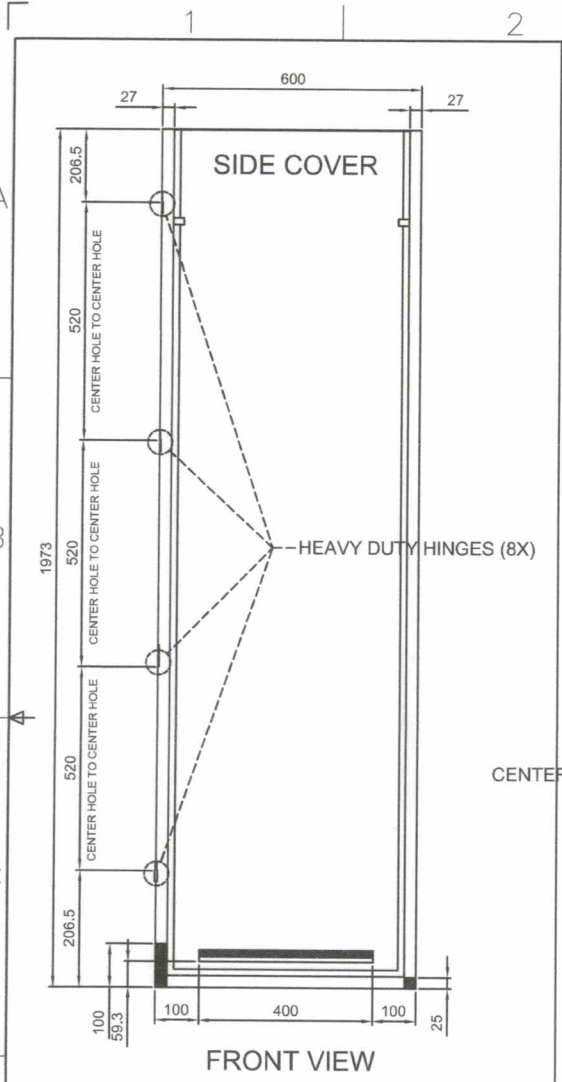
TOLERANCES FOR LENGTH GAUGING						
Grade of Accuracy	Nominal Size	Over 0.5 to 3	Over 3 to 6	Over 6 to 30	Over 30 to 120	Over 120 to 400
Medium		± 0.10	± 0.10	± 0.20	± 0.30	± 0.50

TOLERANCES FOR RADIUS & CHAMFERS					
Grade of Accuracy	Nominal Size	Over 0.5 to 3	Over 3 to 6	Over 6 to 30	Over 30 to 120
Smooth Medium		± 0.20	± 0.50	± 1.00	± 2.00

SYM	REVISION	DATE	BY

Date	AUG 2022	Scale	(NTS)	STORAGE CABINET FOR SME		
Conceptualized by						
Drawn by	BC Lisondra	Item Name	DETACHABLE SHELF SUPPORT	Sheet	13/14	
Designed by	BC Lisondra	Q.C. Checked by	J.N. Arioja	Material	Ø16mm STAINLESS STEEL ROD	
Recommended by	M. S. Maquilas	Approved by	R. C. La Rosa	 DepED - BLR	File name	cabinetforsme

1 2 3 4 5 6



SIDE COVER

FRONT VIEW

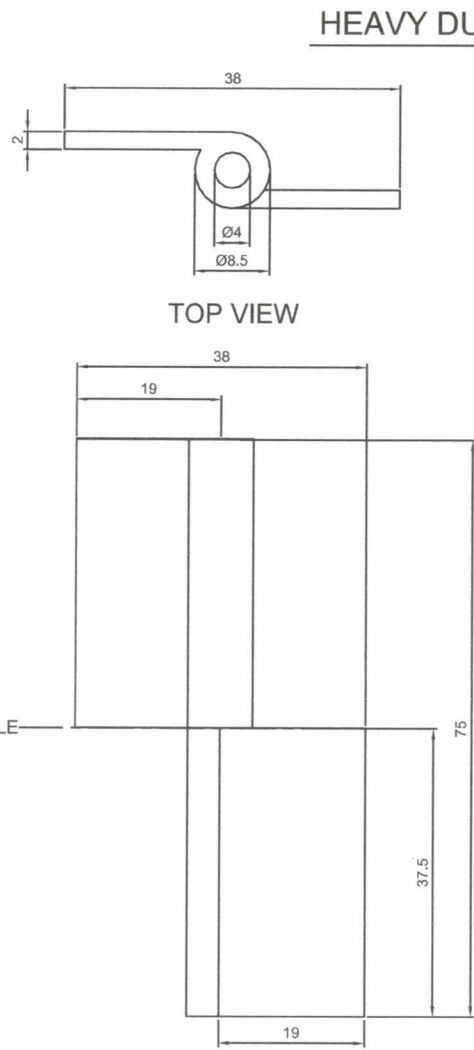
HEAVY DUTY HINGES (8X)

- NOTES:**
- All dimensions are in millimeter unless otherwise specified
 - Remove burrs and sharp edges.

TOLERANCES FOR LENGTH GAUGING						
Grade of Accuracy	Nominal Size	0.5 to 3	Over 3 to 6	Over 6 to 30	Over 30 to 120	Over 120 to 400
Medium		± 0.10	± 0.10	± 0.20	± 0.30	± 0.50

TOLERANCES FOR RADIUS & CHAMFERS					
Grade of Accuracy	Nominal Size	0.5 to 3	Over 3 to 6	Over 6 to 30	Over 30 to 120
Smooth		± 0.20	± 0.50	± 1.00	± 2.00
Medium					

CENTER HOLE

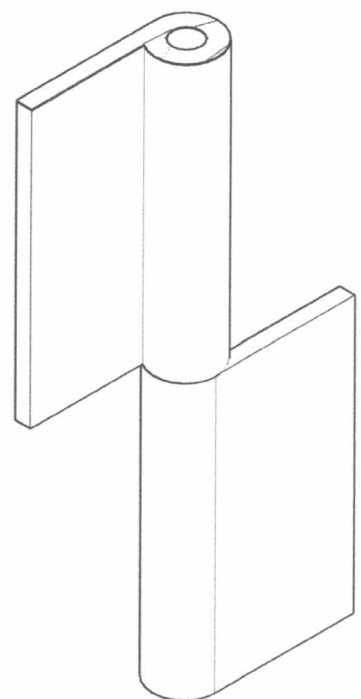


TOP VIEW

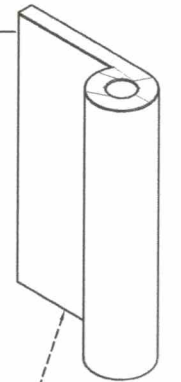
FRONT VIEW

HEAVY DUTY DETACHABLE HINGES DETAIL

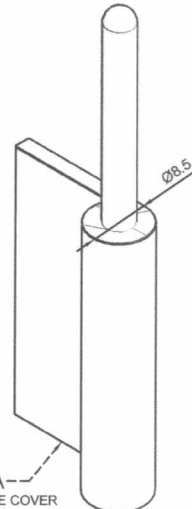
MATERIAL : STAINLESS STEEL 304
 QUANTITY : 4pcs. RIGHT & 4pcs. LEFT HINGE



ISOMETRIC VIEW



PART B
 WELDED TO THE DOOR
 (ON THE 3 HOLES)



PART A
 WELDED TO THE SIDE COVER
 (ON THE 3 HOLES)

EXPLODED VIEW

GOVERNMENT PROPERTY

Date	AUG 2022	Scale	(NTS)	STORAGE CABINET FOR SME			
Conceptualized by							
Drawn by	BC Lisondra	Item Name	DETACHABLE HINGE DETAIL	Sheet	14/14		
Designed by	Q.C. Checked by	Material	2mm STAINLESS STEEL 304 PLATE	File name	cabinetforsme		
	BC Lisondra	J.N. Arioja	 DepED - BLR				
Recommended by	M. S. Maquilas						
Approved by	R. C. La Rosa						