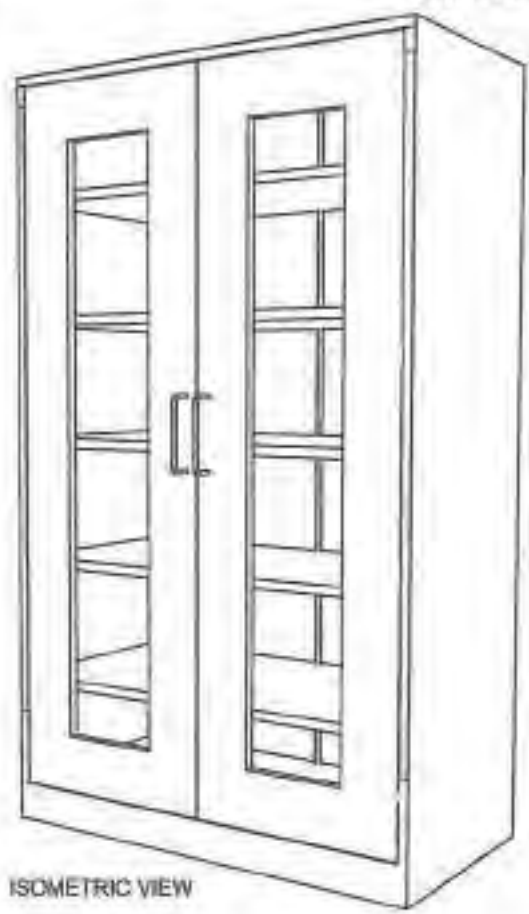


FRONT VIEW



SIDE VIEW



ISOMETRIC VIEW

Description :

- Color : CYAN BLUE: C, M, Y, K (71,53,0,12)
- Material : 1.00mm Thick Cold-rolled Steel Sheet, 6mm thick Flex-Glass Door
- Size : 2.0 meters x 1.20 meters x 0.6 meters
- Feature : Durable and Rigid

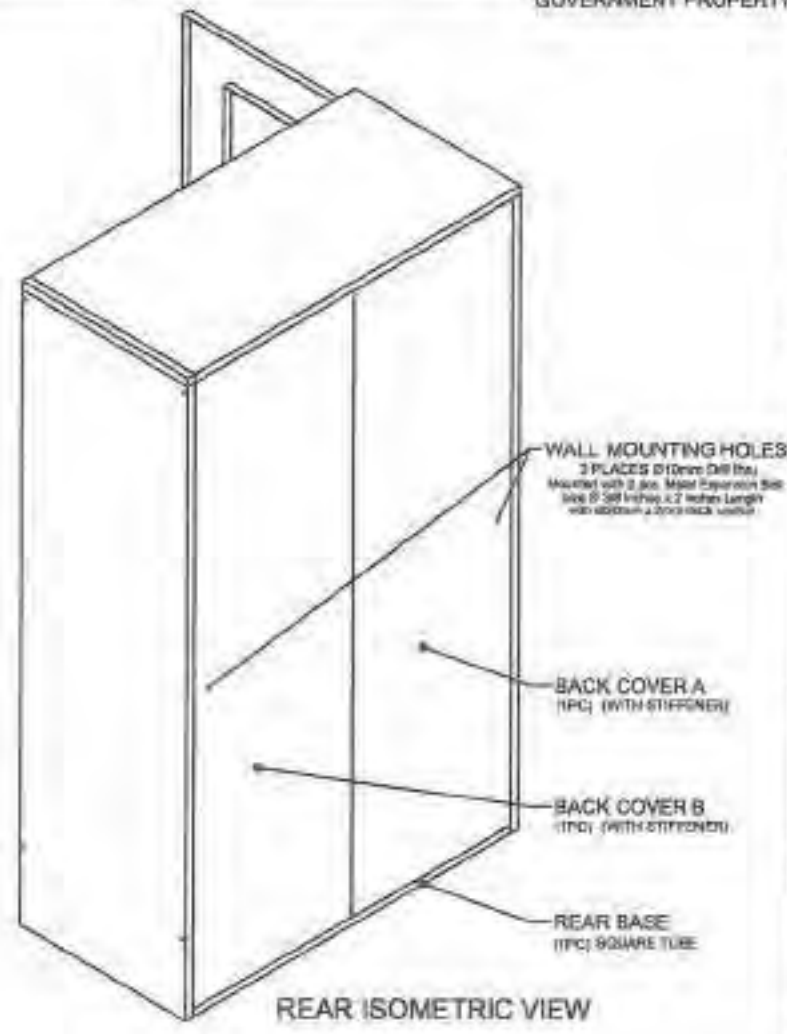
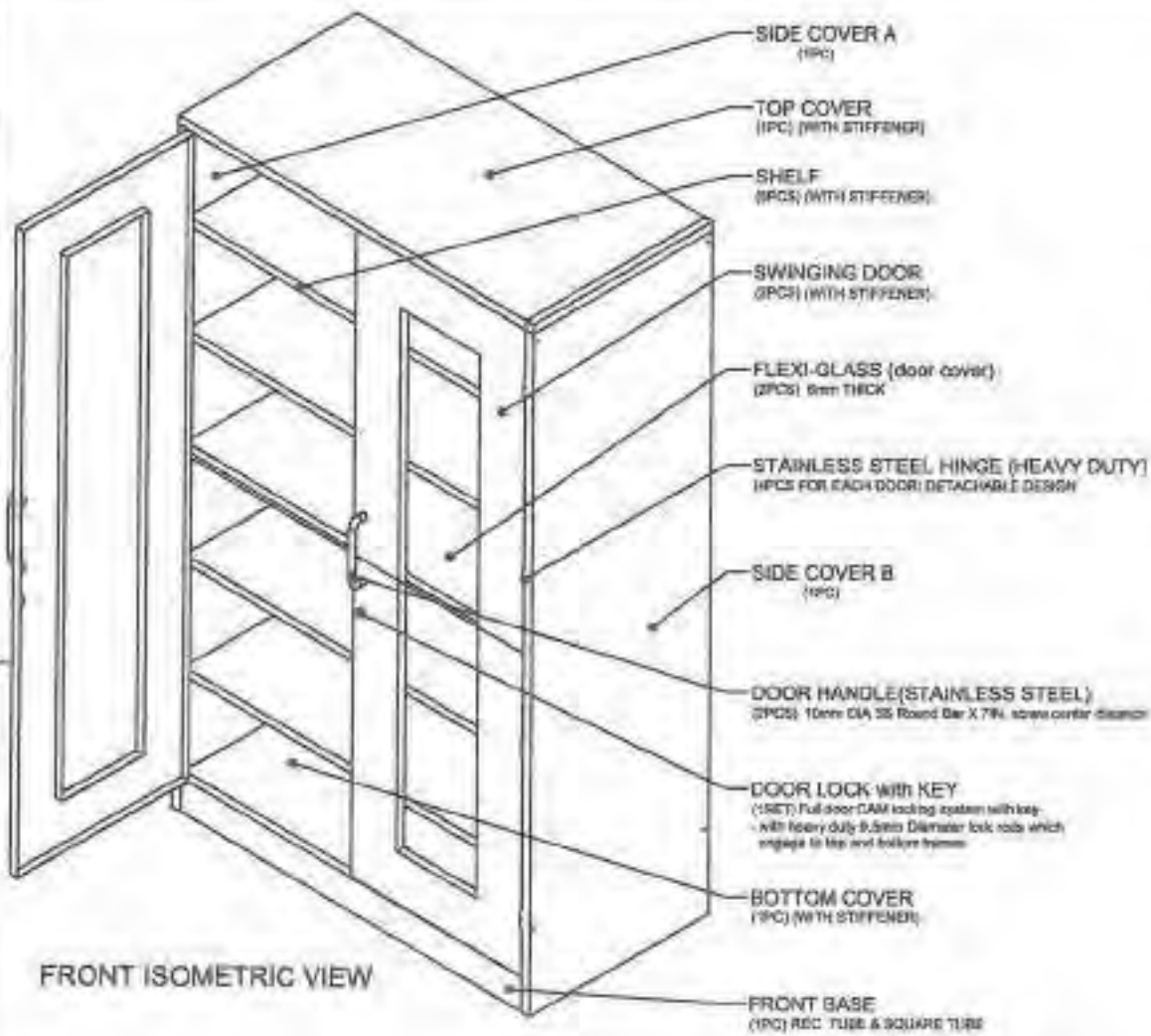
About Cabinet :

1. 1.00mm thickness steel sheet, then powder coat.(Welded surface must be hidden)
2. The cabinet body's material is cold-rolled steel
3. 2 Swinging flexi-glass doors with 2pcs stainless steel 304 handle bars(10mm diameter Stainless Steel 304 Round Bar x 7in. screw mounted in between center. \* 1 set (Full door 3 way CAM locking system w/ key), and 4 heavy duty detachable hinges( 3 inches long) on each door.
4. 5 Adjustable and detachable shelves.
5. Bolts and nuts must be installed as fasteners.
6. Tongue and groove must be provided to interlock the bottom cover(tongue), side panels and back panels (groove).
7. The 3 way CAM Locking system of the collapsible cabinet door is subject for approval during sample evaluation.
8. Cabinet must be mounted on the WALL using 2pcs. Ø3/8 inches x 2 inches METAL EXPANSION BOLT with Ø20mm x 2mm thick washer.

GENERAL NOTES:

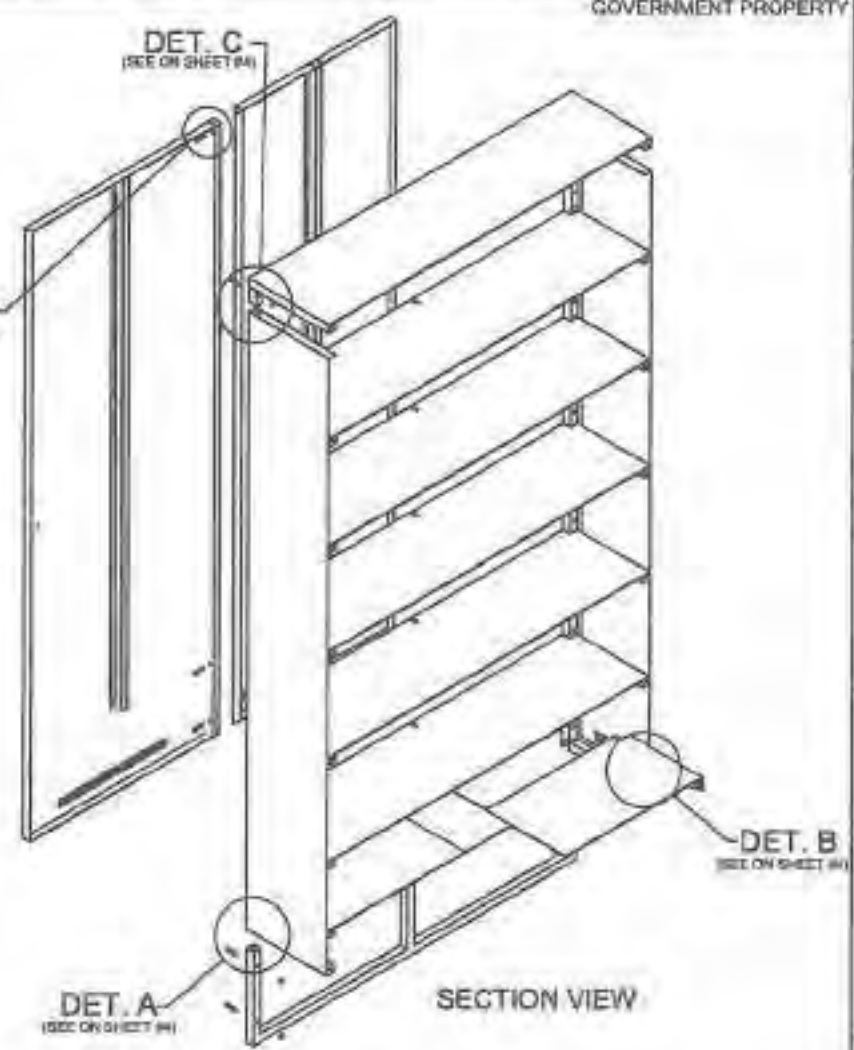
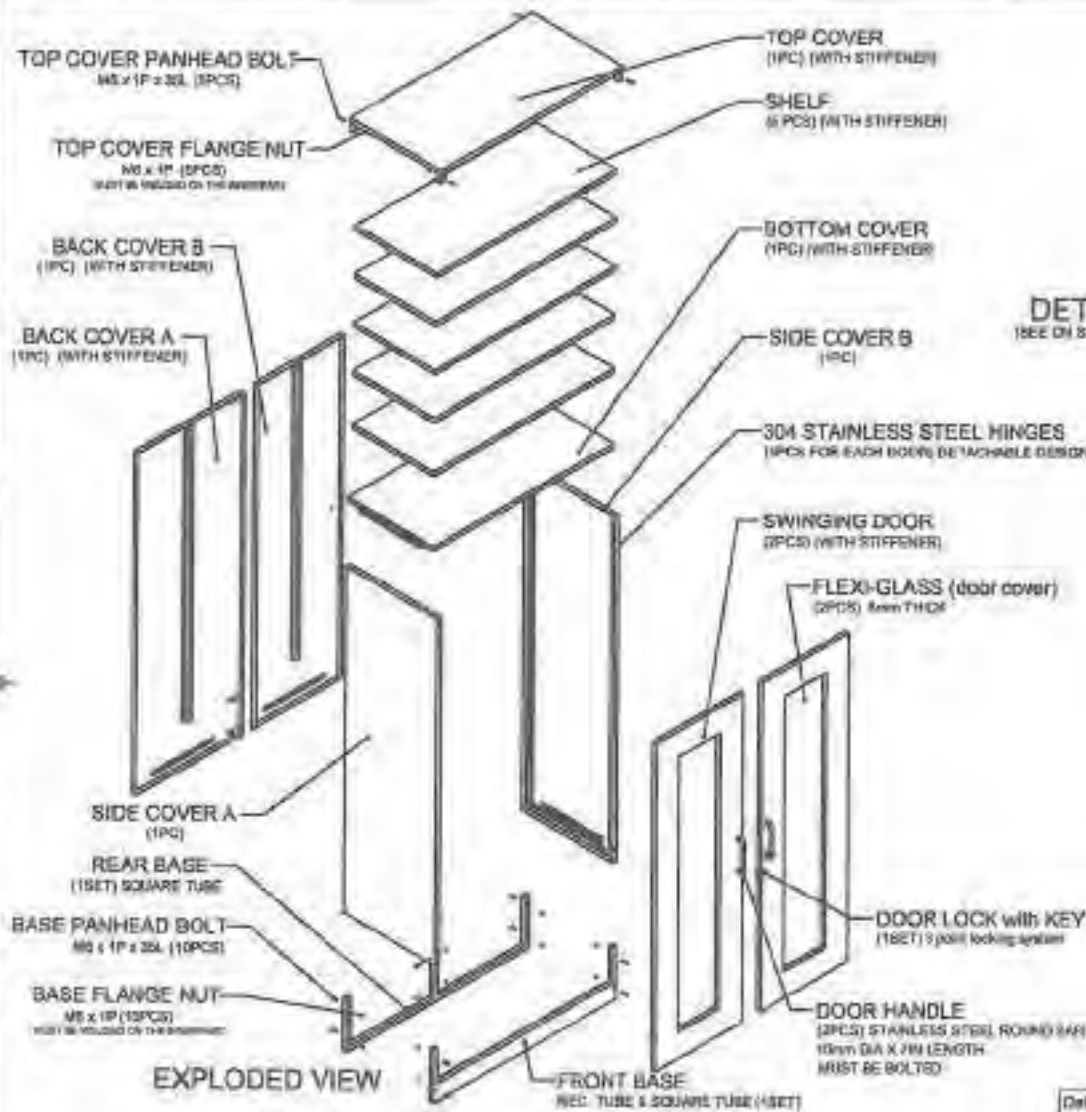
1. All dimensions are in millimeter unless otherwise specified.
2. Remove burrs and sharp edges.

Date: OCTOBER 2021	Scale: 1/15	<b>TVL TOOLS AND EQUIPMENT</b>	
Conceptualized by:	Drawn by: B.C. Leonora	Item Name: COLLAPSIBLE STEEL CABINET (CABINET # 1)	Steel:
Designed by: B.C. Leonora	C.C. Checked by: J.N. Nolasco	Material: 1mm THICK COLD-ROLLED STEEL SHEET	File name: CABINET-102102021
Recommended by: A.B. Ybanez	Approved by: H.D. La Rosa	<b>DepED-BLR</b>	




**GENERAL NOTES:**  
 1. All dimensions are in millimeter unless otherwise specified.  
 2. Remove burrs and sharp edges.

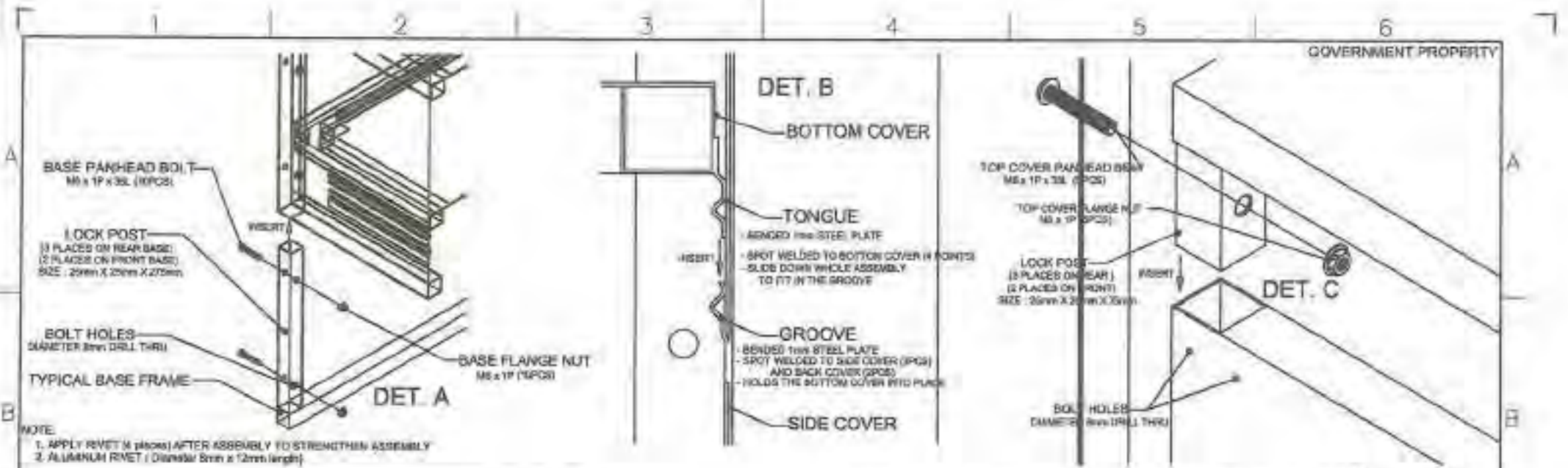
Date OCTOBER 2021	Scale 1:100	<b>TVL TOOLS AND EQUIPMENT</b>	
Conceptualized by		Item Name <b>COLLAPSIBLE STEEL CABINET (CABINET # 1)</b>	Sheet 02/14
Drawn by B.C. Usorika	Q.C. Checked by J.N. Arjo	Material 7mm THICK COLD-ROLLED STEEL SHEET	File name CABINET02.DWG
Recommended by A.B. Iturica	Approved by R.C. Le Riga	 <b>DepED-BLR</b>	



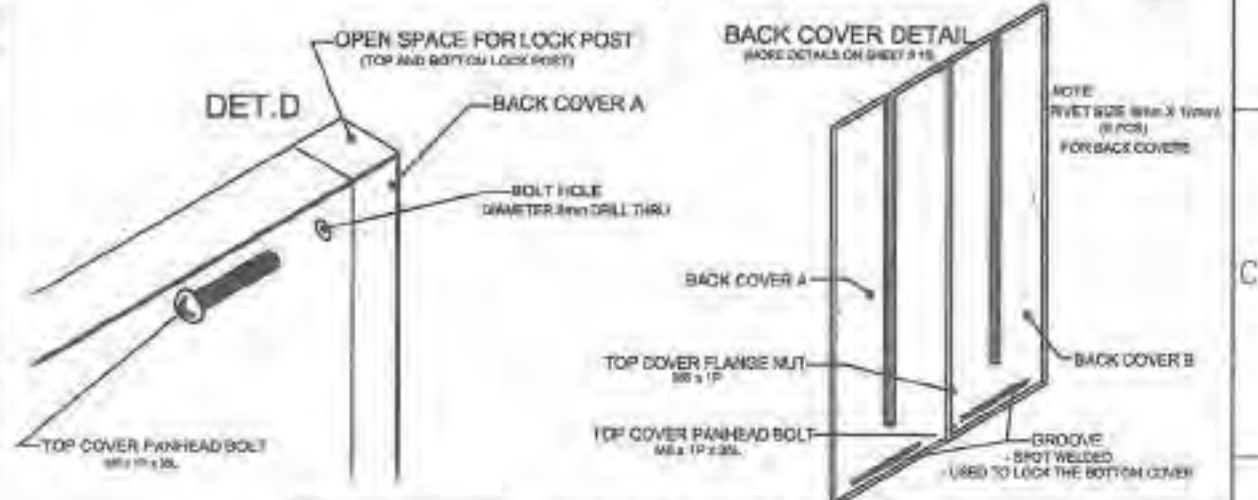
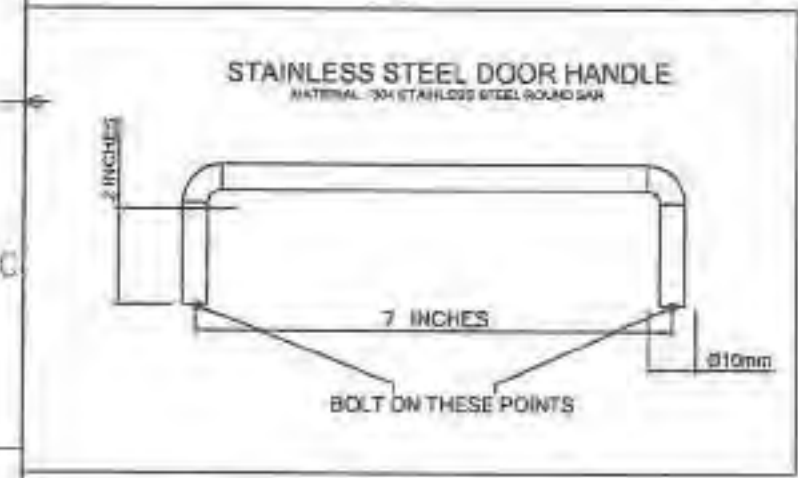
**GENERAL NOTES:**

1. All dimensions are in millimeter unless otherwise specified.
2. Remove burrs and sharp edges.

Date	OCTOBER 2021	Scale	1/15	<b>TVL TOOLS AND EQUIPMENT</b>	
Conceptualized by					
Drawn by	B.C. Usanda	Checked by	J.Y. Amador	Material	1mm THICK GOLD ROLLED STEEL SHEET
Designed by	B.C. Usanda	Checked by	J.Y. Amador	File Name	CABINETDESIGN1
Recommended by	A.B. Ybalde			 <b>DepED-BLR</b>	
Approved by	R.C. La Rosa				

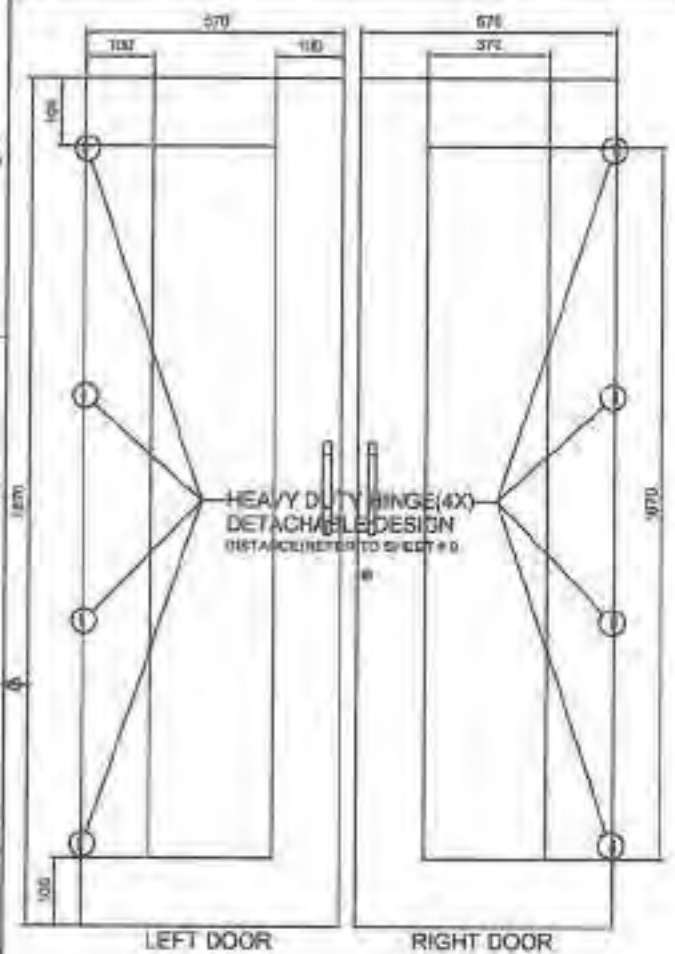


NOTE:  
 1. APPLY RIVET (4 pieces) AFTER ASSEMBLY TO STRENGTHEN ASSEMBLY  
 2. ALUMINUM RIVET ( Diameter 8mm x 12mm length)

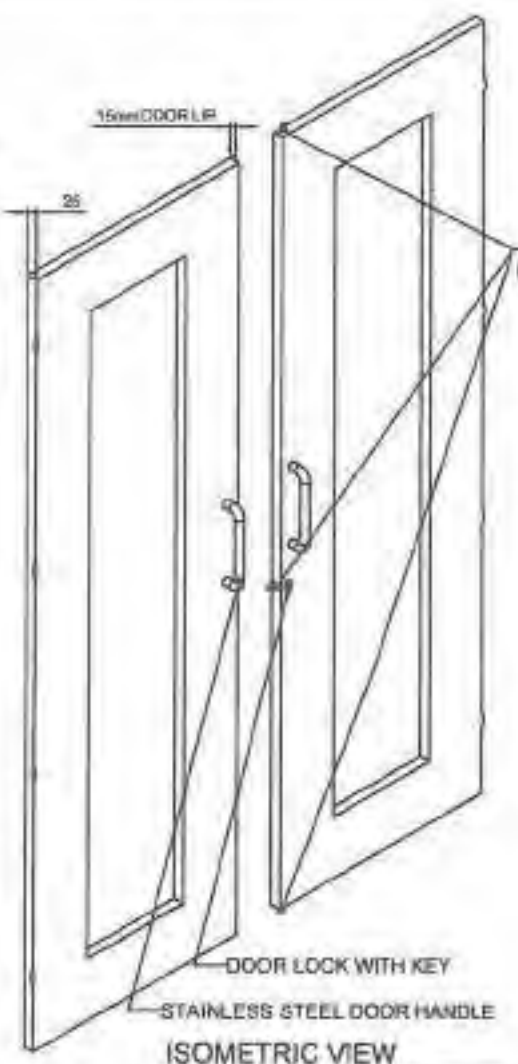


**GENERAL NOTES:**  
 1. All dimensions are in millimeter unless otherwise specified  
 2. Remove burrs and sharp edges.

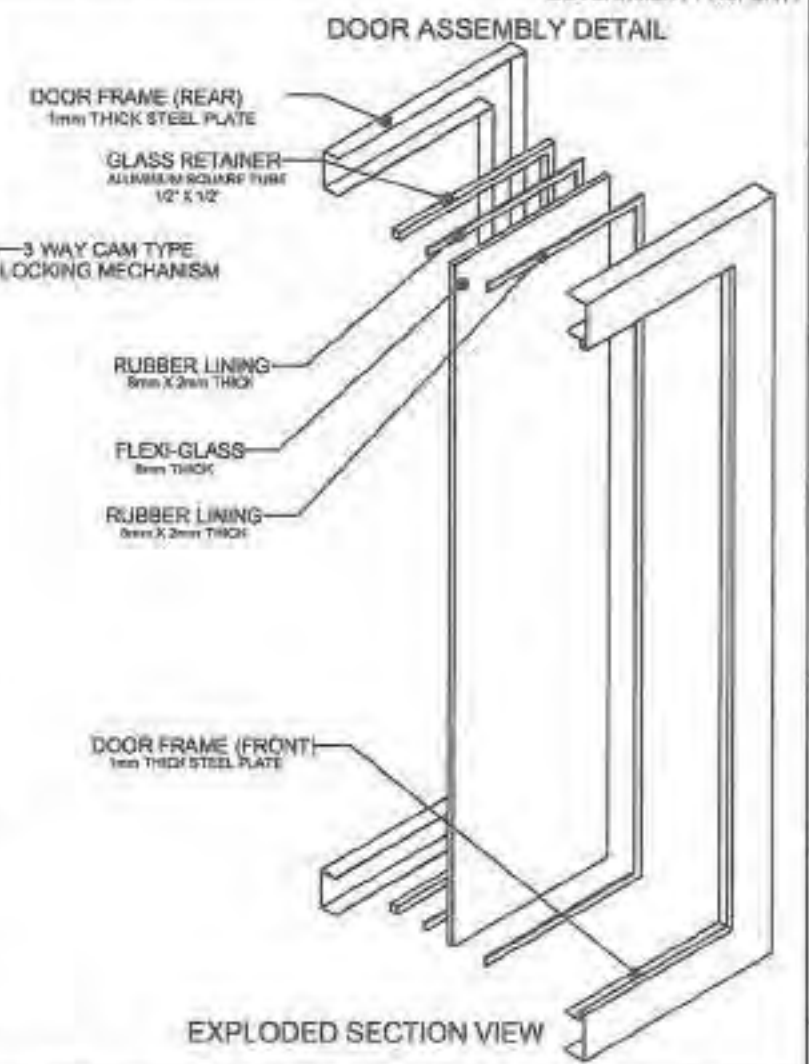
Date	Scale	REV	<b>TVL TOOLS AND EQUIPMENT</b>	
OCTOBER 2021	1:1	1/1		
Contracted by	Part Name		<b>ASSEMBLY DETAILS (CABINET # 1)</b>	
Drawn by	B.C. Usong			
Designed by	Checked by	Material	1mm THICK COLD-ROLLED STEEL SHEET	
B.C. Usong	J.M. Anjo	1mm THICK COLD-ROLLED STEEL SHEET		
Recommended by	Approved by			Sheet <b>04/14</b> P/B (C/P) (CABINET/DIVISION)
B.C. Usong	R.C. La Mesa			
			<b>DepED-BLR</b>	



FRONT VIEW



ISOMETRIC VIEW

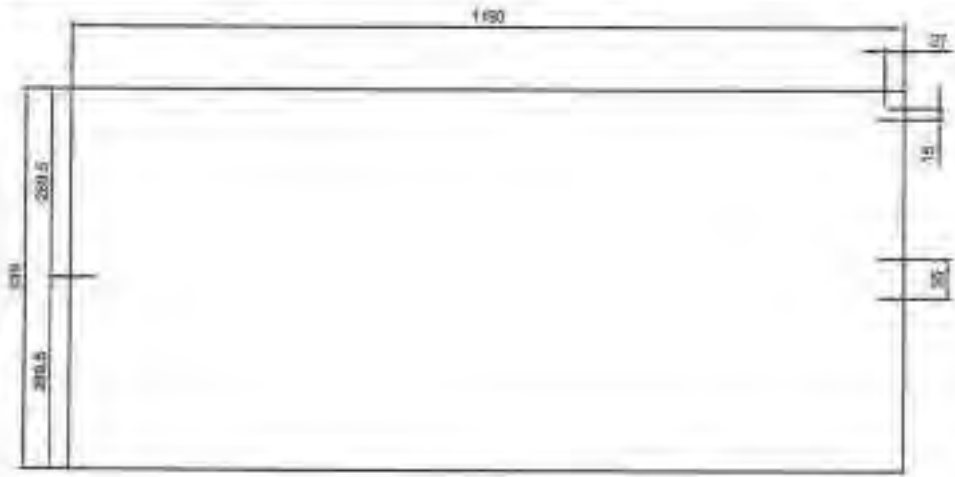


EXPLODED SECTION VIEW

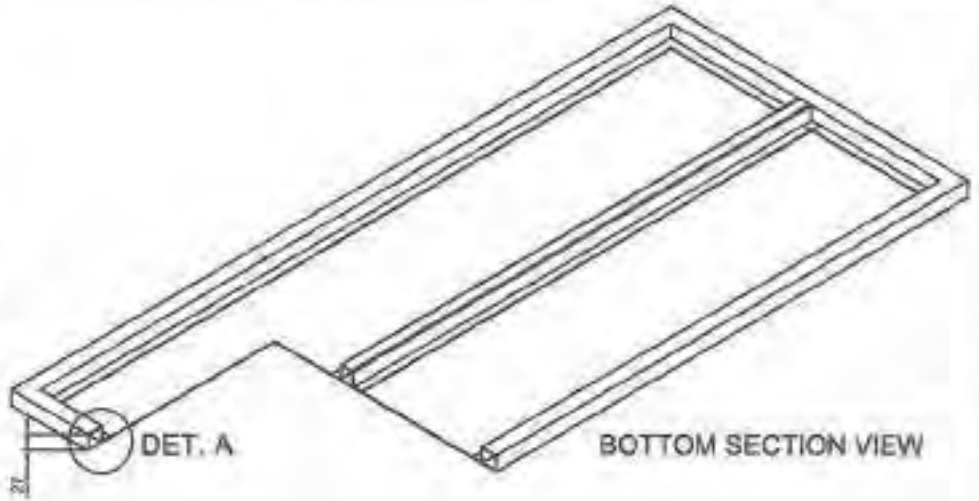
**GENERAL NOTES:**

1. All dimensions are in millimeter unless otherwise specified.
2. Remove burrs and sharp edges.

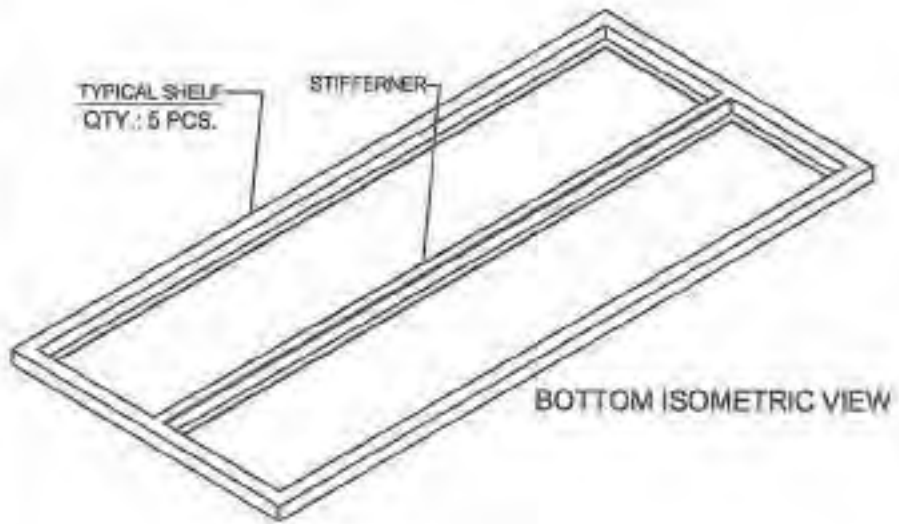
Date	06/06/2021	Scale	NTS	<b>TVL TOOLS AND EQUIPMENT</b>	
Conceptualized by					
Drawn by	B.C. Leonora			Material	1mm THICK COLD-ROLLED STEEL SHEET
Designed by	B.C. Leonora		C.C. Checked by	Sheet	
Recommended by	A.B. Ybafra		J.N. [Signature]		15/16
Approved by	B.C. La Rosa		[Signature]		File name
				CABINETDESIGN	
				 <b>DepED-BLR</b>	



TOP VIEW

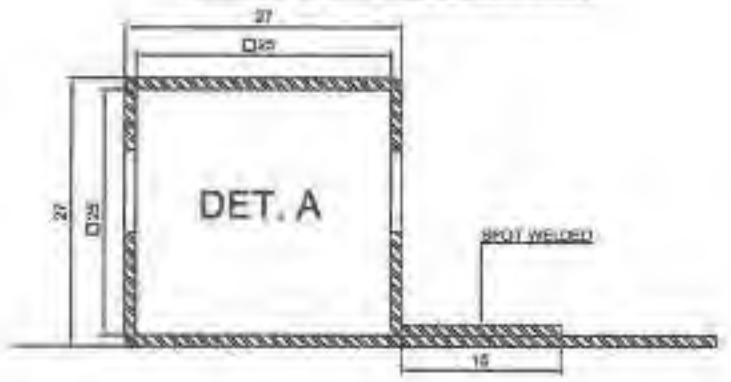


BOTTOM SECTION VIEW



BOTTOM ISOMETRIC VIEW

TYPICAL BENDING DETAIL



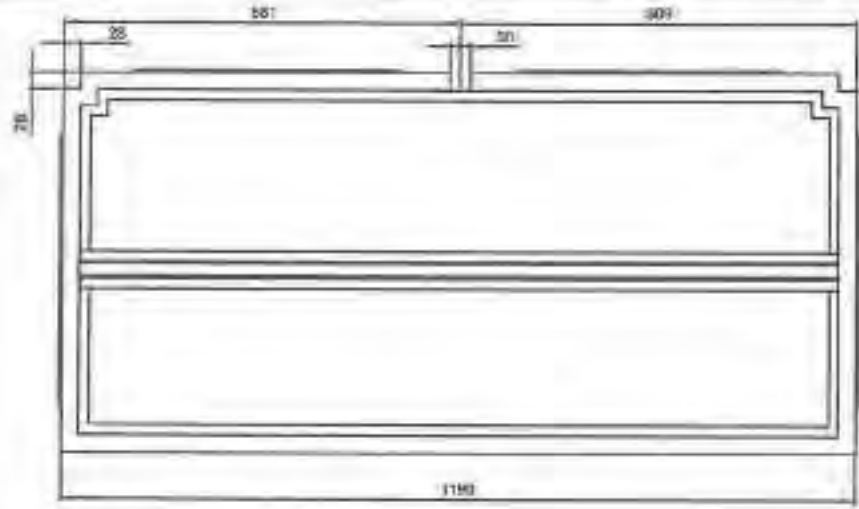
SECTION VIEW

GENERAL NOTES:

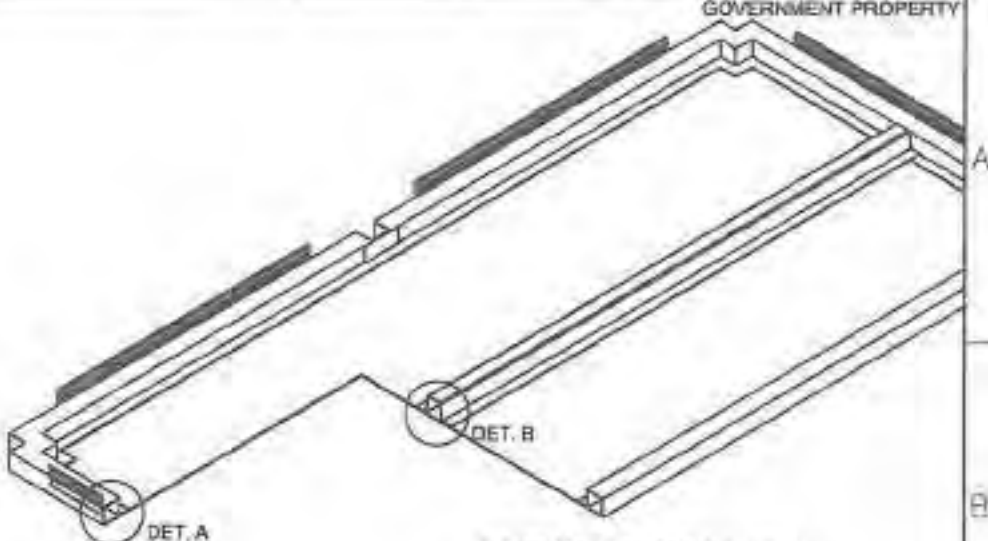
- 1. All dimensions are in millimeter unless otherwise specified.
- 2. Remove burrs and sharp edges.

Date OCTOBER 2021	Scale N/T.S	TVL TOOLS AND EQUIPMENT	
Conceptualized by		Item Name TYPICAL SHELF DETAILS (CABINET # 1)	Sheet 01/14
Drawn by B.C. Leonora	Checked by G.C. Chelind	Material 1mm THICK COLD-ROLLED STEEL SHEET	File name CABINET001.dwg
Recommended by A.B. Ybaitiz	Approved by R.C. La Rosa	 <b>DepED-BLR</b>	

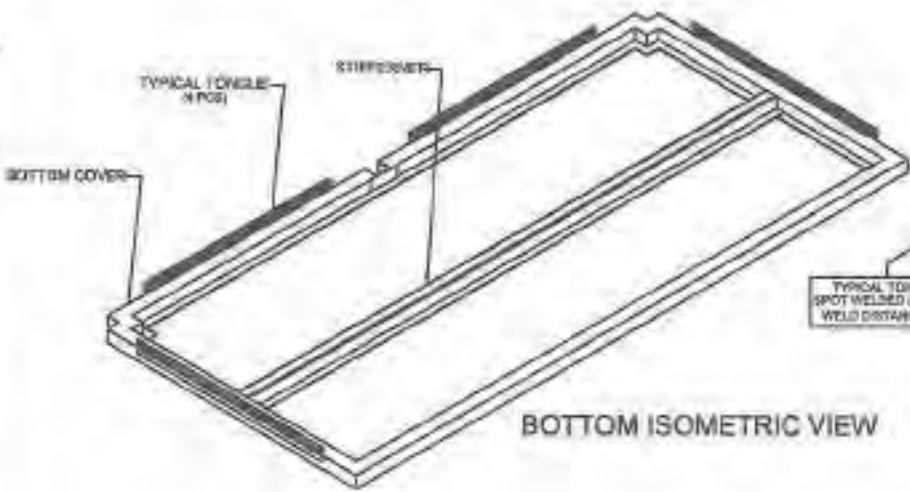
GOVERNMENT PROPERTY



TOP VIEW



BOTTOM SECTION VIEW



BOTTOM ISOMETRIC VIEW

TYPICAL BENDING DETAIL



SECTION VIEW


TYPICAL STIFFENER DETAIL



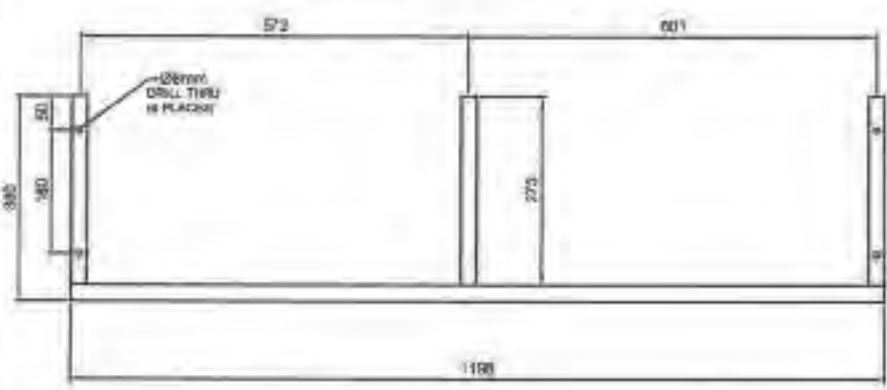
SECTION VIEW

GENERAL NOTES:

- 1. All dimensions are in millimeter unless otherwise specified.
- 2. Remove burrs and sharp edges.

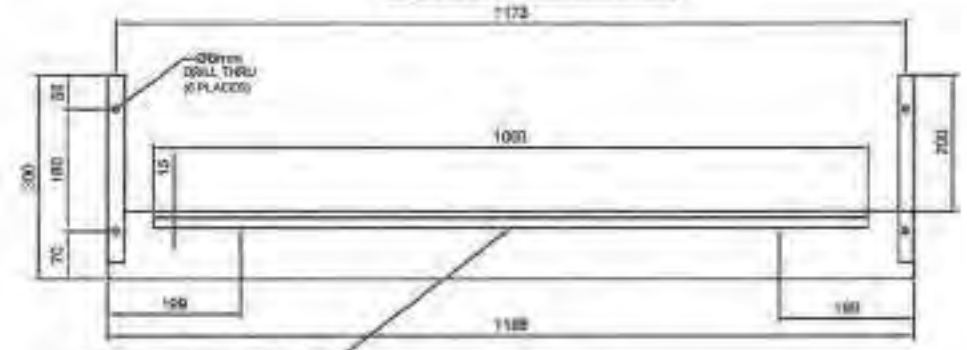
Date OCTOBER 2021	Scale 1:10	TVL TOOLS AND EQUIPMENT	
Controlled by	Drawn by B.C. Lanson	Rev. A/B/C/D BOTTOM COVER DETAILS (CABINET # 1)	Sheet 07/14
Drawn by B.C. Lanson	Q.C. Checked by J.N. Minda	Material 1mm THICK GOLD ROLLED STEEL SHEET	File name CABINETDESIGN1
Recommended by A.B. Yonkiz	Approved by R.C. La Rosa	 <b>DepED-BLR</b>	

REAR BASE FRAME

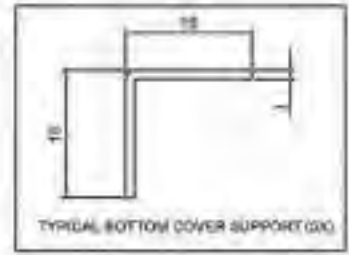


FRONT VIEW

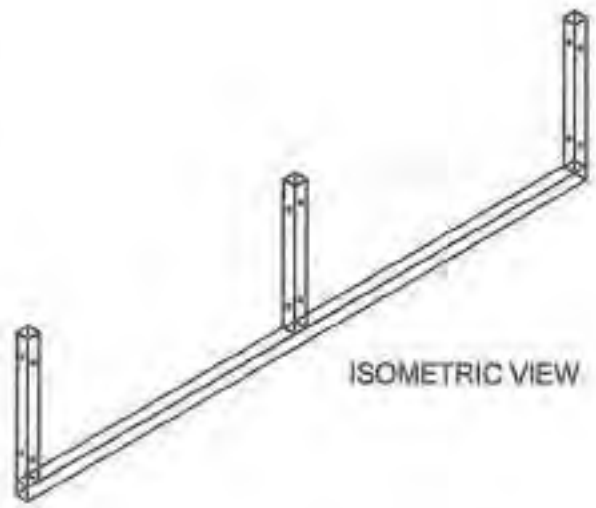
FRONT BASE FRAME



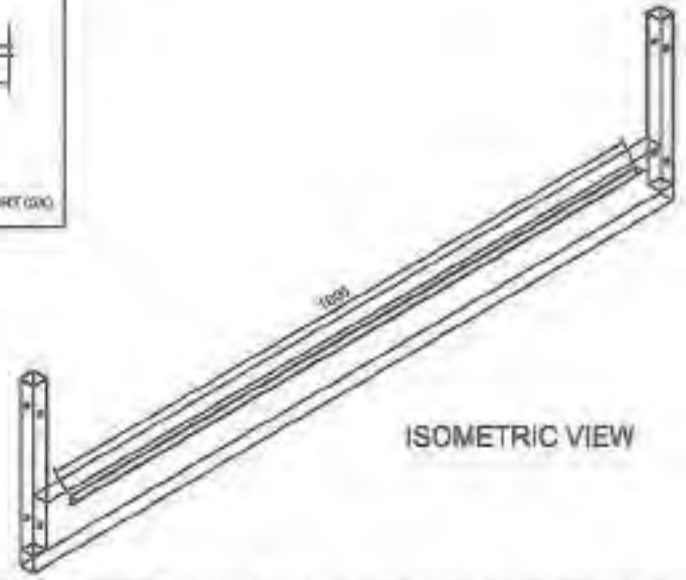
FRONT VIEW



TYPICAL BOTTOM COVER SUPPORT (X)




ISOMETRIC VIEW



ISOMETRIC VIEW

GENERAL NOTES:

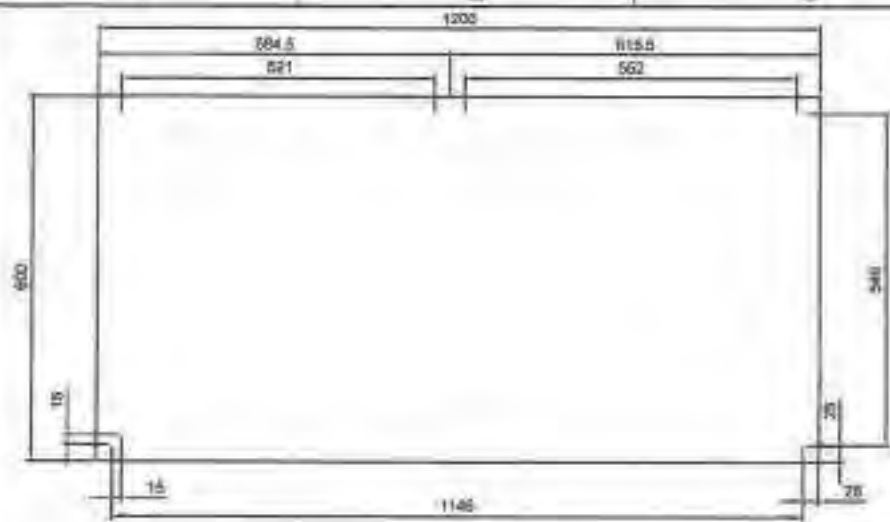
- 1. All dimensions are in millimeter unless otherwise specified.
- 2. Remove burrs and sharp edges.

Date OCTOBER 2021	Scale NTS	TVL TOOLS AND EQUIPMENT	
Consentified by	Drawn by B.C. Usando	Item Name BASE FRAME DETAILS (CABINET # 1)	Sheet 08/14
Designed by B.C. Usando	Q.C. Checked by J.N. Perija	Material 3mm THICK COLD-ROLLED STEEL SHEET	File name CABINET023620
Recommended by	Approved by R.C. La Sala	 <b>DepED-BLR</b>	

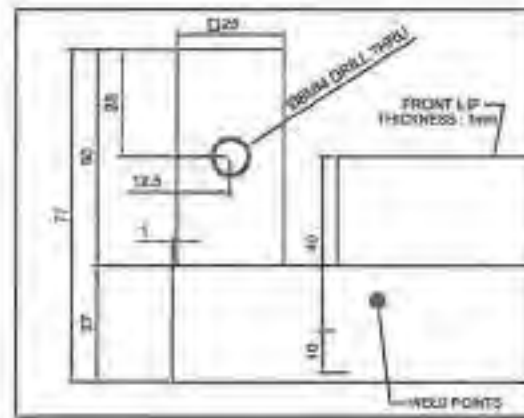




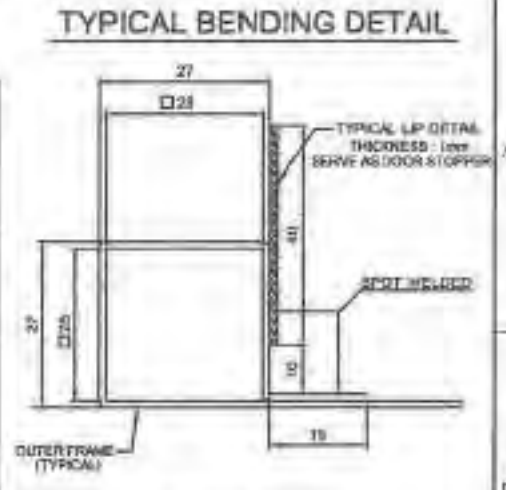




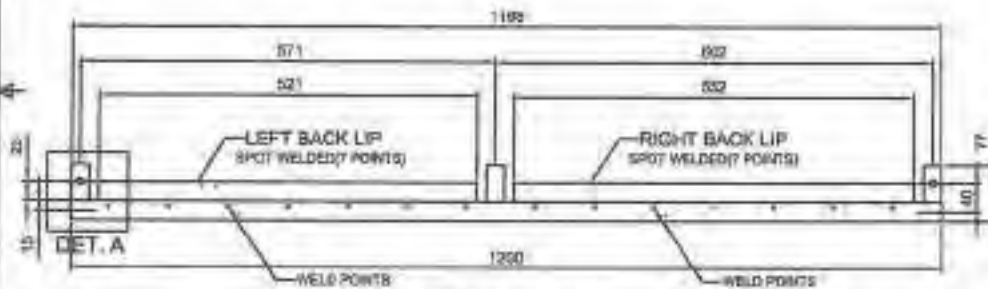
TOP VIEW



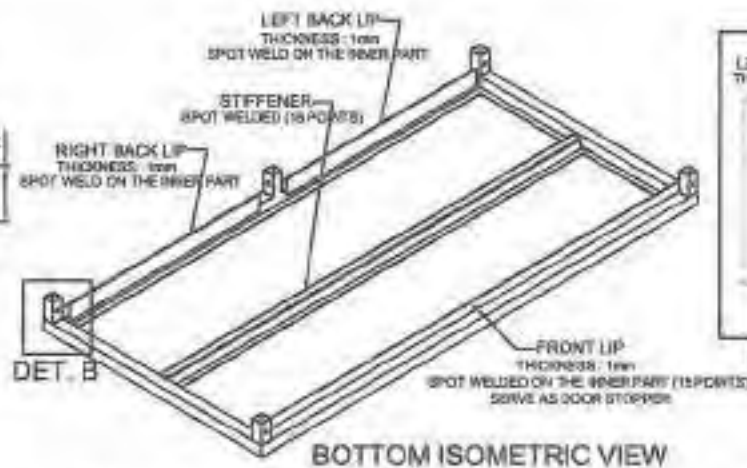
DET. A



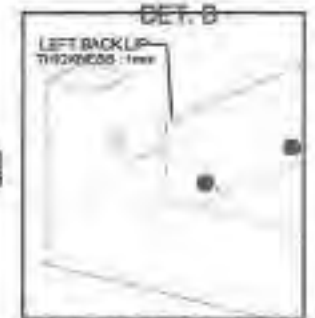
SECTION VIEW



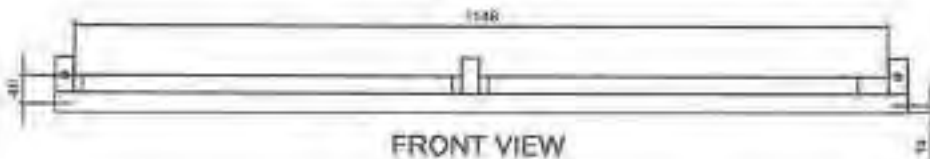
REAR VIEW



BOTTOM ISOMETRIC VIEW



ENLARGED VIEW




FRONT VIEW

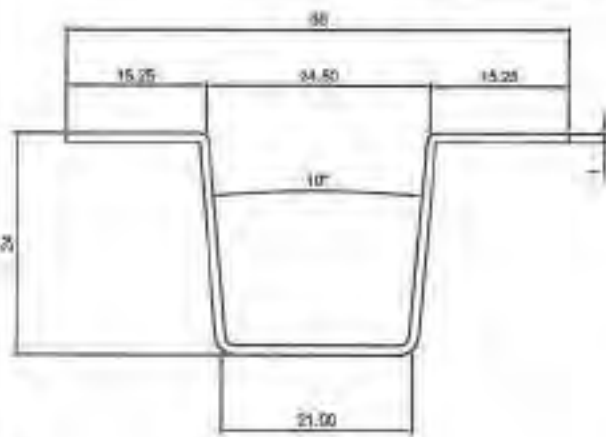
**GENERAL NOTES:**

1. All dimensions are in millimeter unless otherwise specified.
2. Remove burrs and sharp edges.

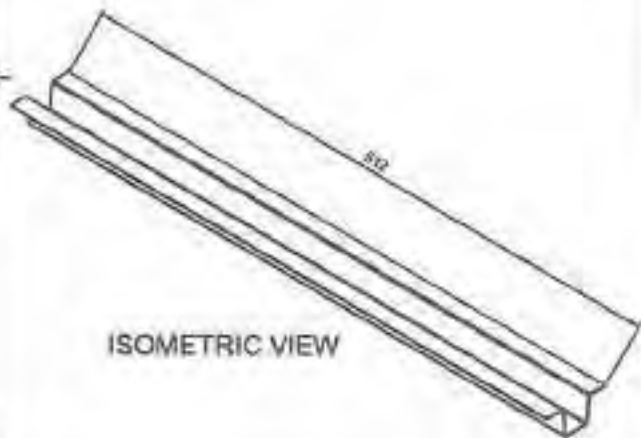
GOVERNMENT PROPERTY

Date OCTOBER 2021	Scale NTS	TVL TOOLS AND EQUIPMENT	
Conceptualized by	Drawn by B.C. Usando	Item Name TOP COVER DETAILS (CABINET # 1)	Sheet 11/14
Designed by B.C. Usando	Q/C Checked by J.N. Ariza	Material 1mm THICK COLD-ROLLED STEEL SHEET	File Name CABINETDESIGN1
Recommended by A.B. Ybañez	Approved by R.C. La Rosa	 <b>DepED-BLR</b>	

**STIFFENER**

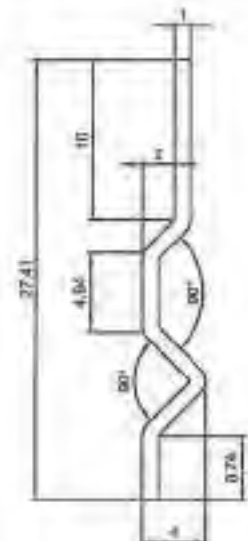


TOP VIEW

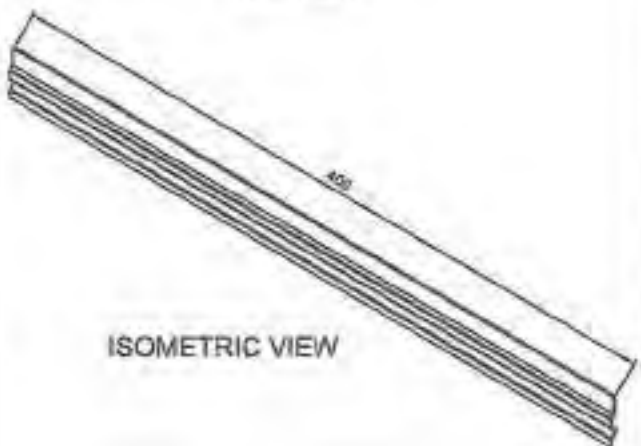


ISOMETRIC VIEW

**TONGUE**

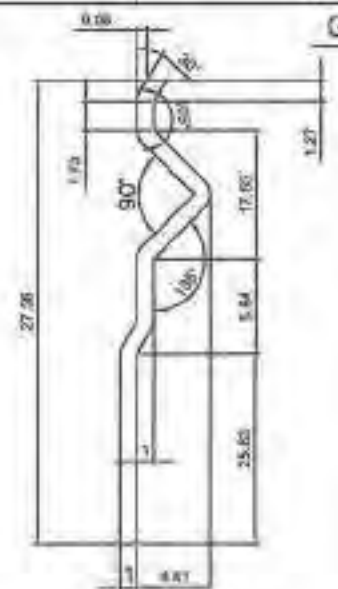


TOP VIEW

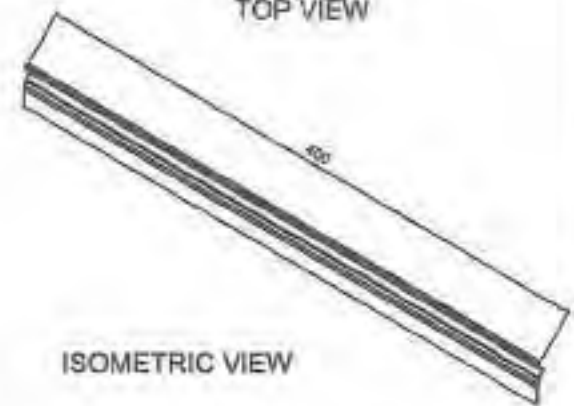


ISOMETRIC VIEW

**GROOVE**



TOP VIEW



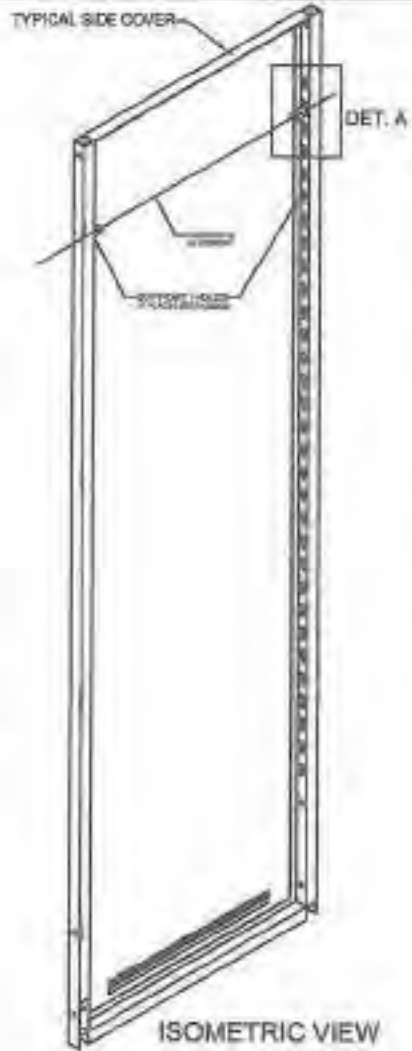
ISOMETRIC VIEW

GOVERNMENT PROPERTY

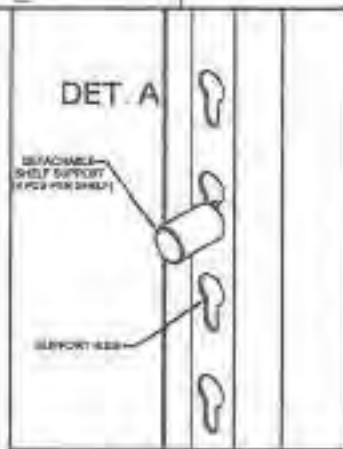
**GENERAL NOTES:**

1. All dimensions are in millimeter unless otherwise specified.
2. Remove burrs and sharp edges.

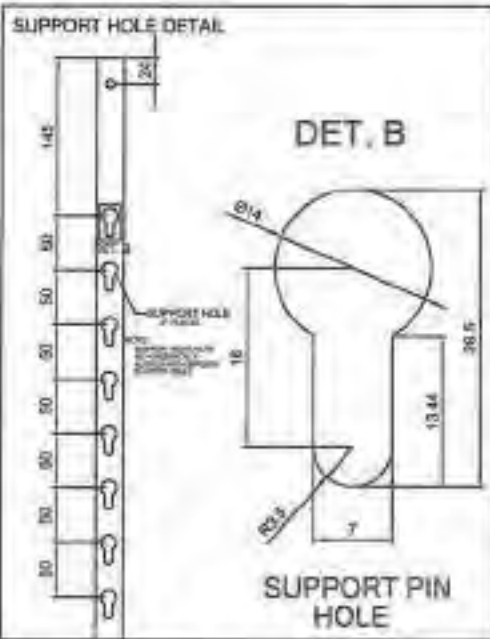
Date OCTOBER 2021	Scale NTS	<b>TVL TOOLS AND EQUIPMENT</b>	
Conceptualized by		Item Name TYPICAL LOCKING & REINFORCEMENT DETAILS (CABINET # 1)	Sheet 12/14
Written by B.C. Usorin	Designed by G.E. Usorin	Material 1mm THICK COLD-ROLLED STEEL SHEET	File name CABINET003.dwg
Recommended by A.B. Ybofet	Approved by R.C. Le Non	 <b>DepED-BLR</b>	



ISOMETRIC VIEW



DET. A



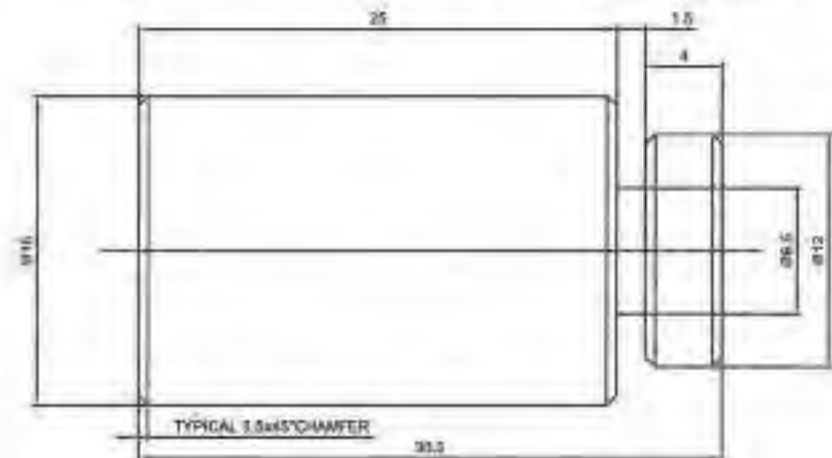
SUPPORT HOLE DETAIL

DET. B

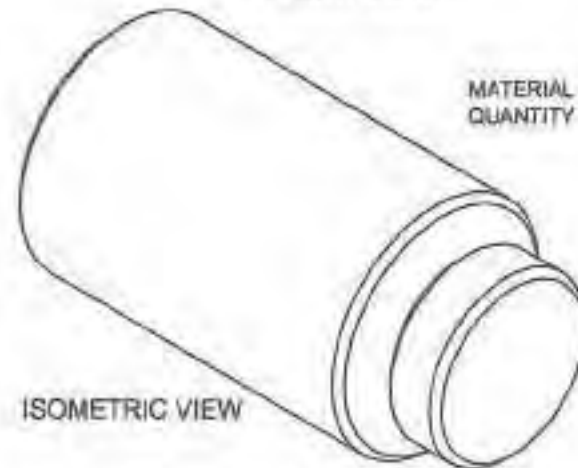
FRONT VIEW

SUPPORT PIN HOLE

## DETACHABLE SHELF SUPPORT



FRONT VIEW



ISOMETRIC VIEW

MATERIAL : STAINLESS STEEL 304  
QUANTITY : 4 PCS. PER SHELF

GOVERNMENT PROPERTY

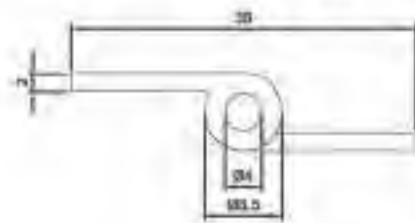
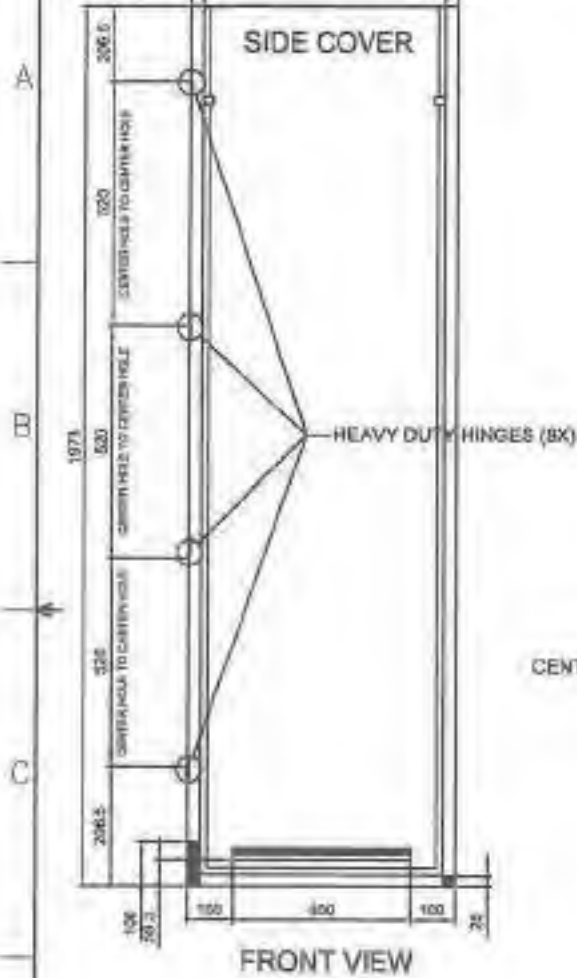
### GENERAL NOTES:

1. All dimensions are in millimeter unless otherwise specified.
2. Remove burrs and sharp edges.

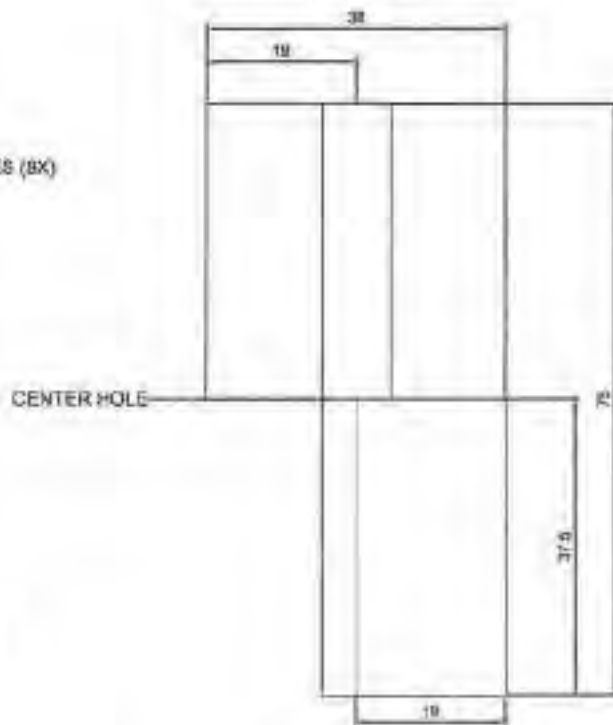
Date	OCTOBER 2021	Scale	NYS	<b>TVL TOOLS AND EQUIPMENT</b>	
Conceptualized by					
Drawn by	B.C. Licorche			DETACHABLE SHELF SUPPORT PIN (CABINET #1)	13/14
Designed by	B.C. Licorche	Q.C. Checked by	J.N. Arriaga	Material	File name
				1mm THICK COLD-ROLLED STEEL SHEET	CABINET/DESIGN/1
Recommended by	A.B. Ybarra				<h1>DepED-BLR</h1>
Approved by	R.C. La Roca				

# HEAVY DUTY DETACHABLE HINGES DETAIL

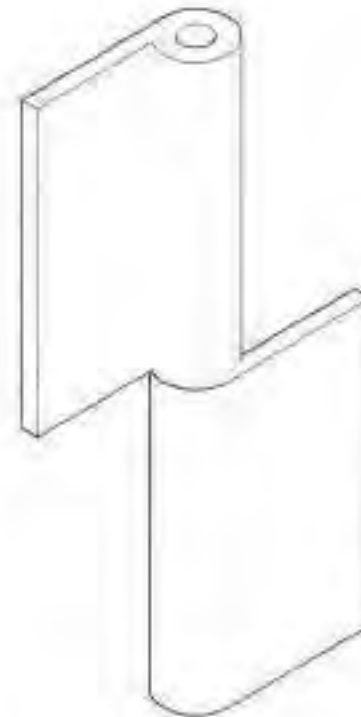
MATERIAL : STAINLESS STEEL 304  
 QUANTITY : 4pcs. RIGHT & 4pcs. LEFT HINGE



TOP VIEW



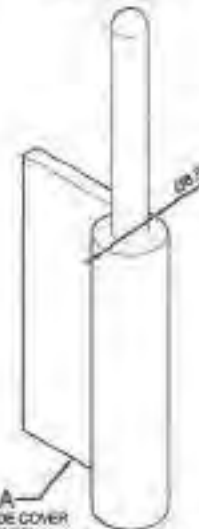
FRONT VIEW



ISOMETRIC VIEW



PART B  
 WELDED TO THE DOOR  
 (ON THE 3 HOLES)



PART A  
 WELDED TO THE SIDE COVER  
 (ON THE 3 HOLES)

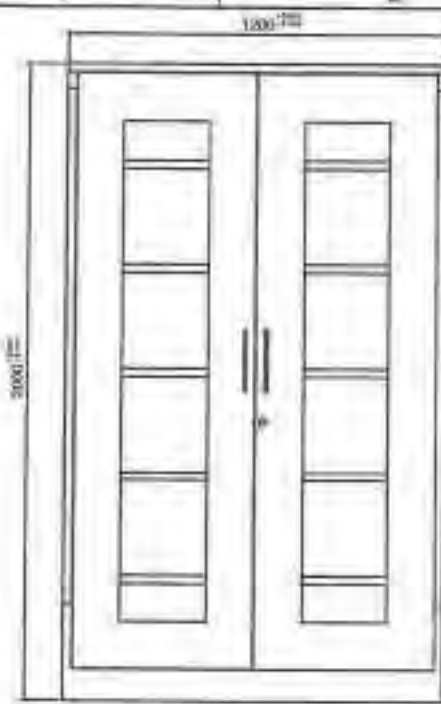
EXPLODED VIEW

GOVERNMENT PROPERTY

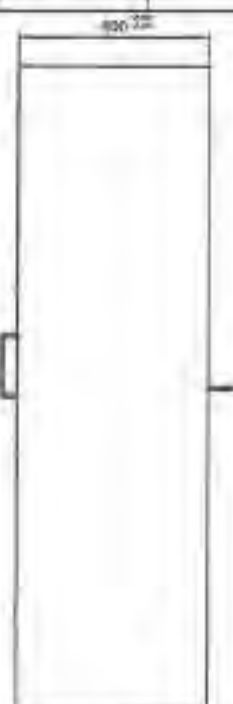
**GENERAL NOTES:**

1. All dimensions are in millimeter unless otherwise specified.
2. Remove burrs and sharp edges.

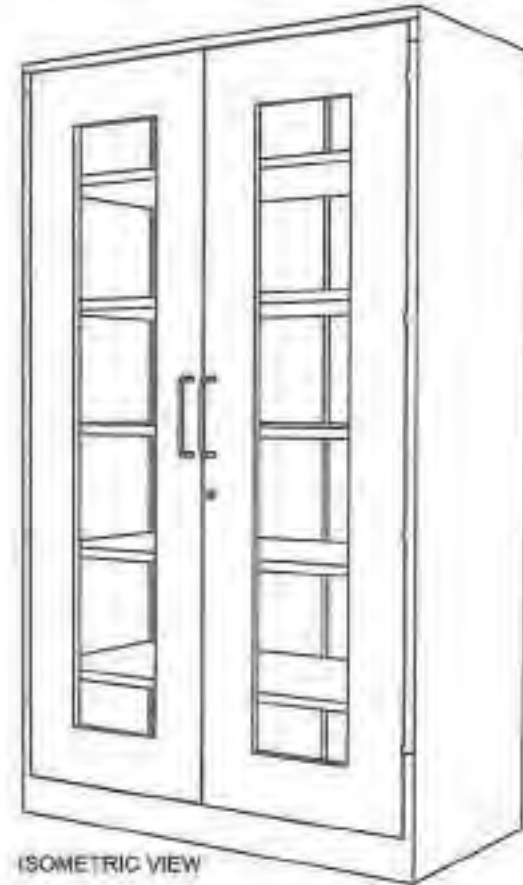
Date OCTOBER 2021	Scale NFS	<b>TVL TOOLS AND EQUIPMENT</b>	
Conceptualized by		Item Name DETACHABLE HINGE DETAILS ( CABINET # 1 )	Sheet 14/14
Drawn by S.C. Leonora	Q.C. Checked by J.N. [Signature]	Material 1mm THICK COLD-ROLLED STEEL SHEET	File name CABINETDESIGN
Recommended by A.B. Ybañez	Approved by R.C. Le [Signature]	 <b>DepED-BlR</b>	



FRONT VIEW



SIDE VIEW



ISOMETRIC VIEW

**Description :**

- Finish : Polished
- Material : 1,00mm Thick Stainless Steel 304 Sheet, 6mm thick Flexi-Glass Door
- Size : 2.0 meters x 1.20 meters x 0.6 meters
- Feature : Durable and Rigid

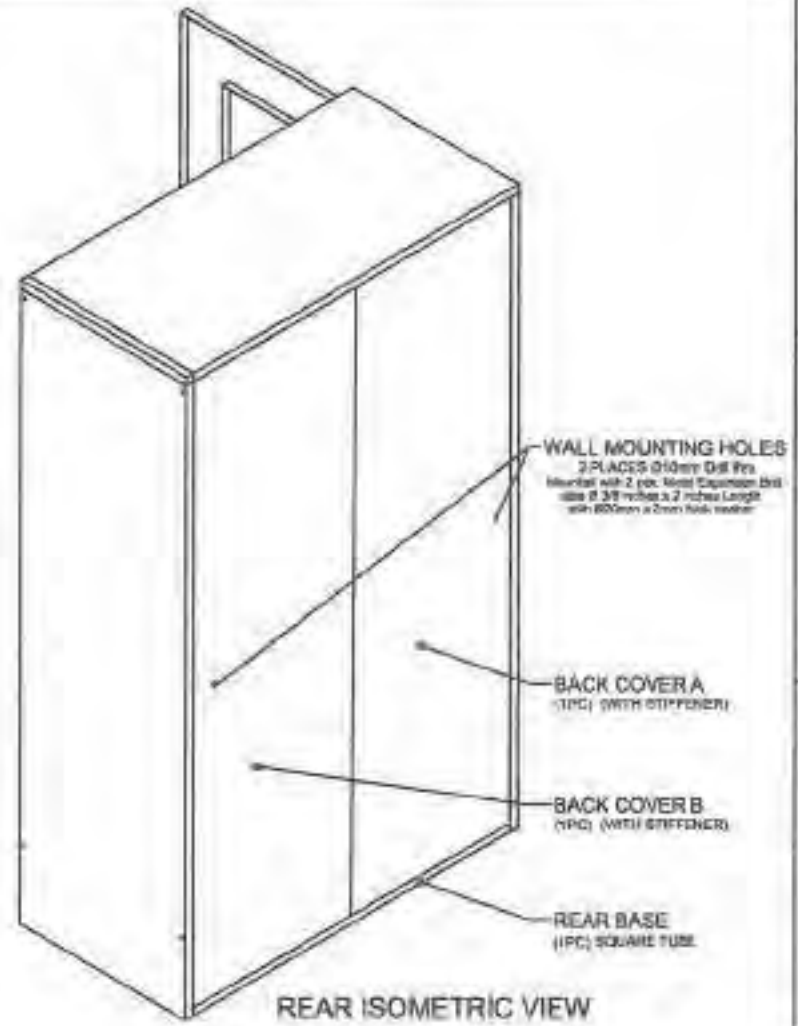
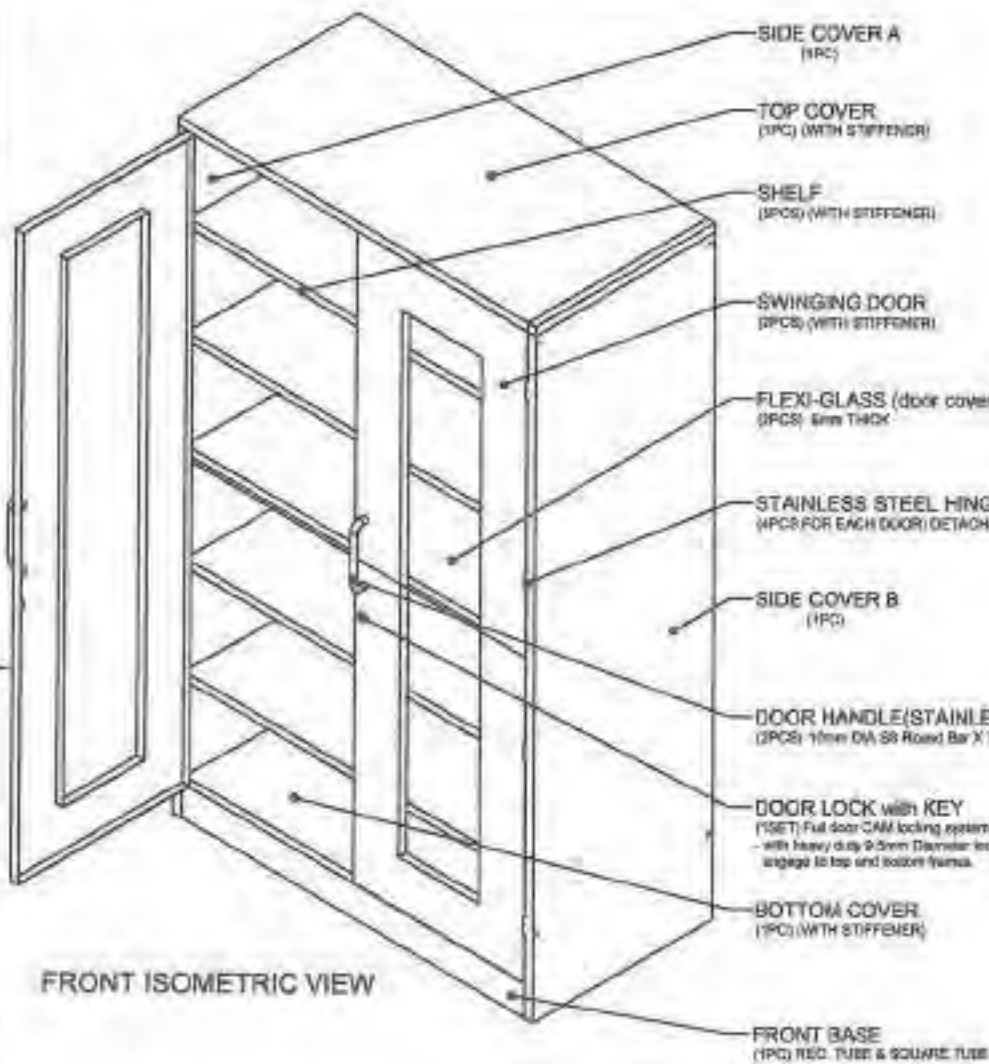
**About Cabinet :**

1. 1.00mm thickness stainless steel 304 sheet then polished.
2. The cabinet body's material is stainless steel 304.
3. 2 Swinging flexi-glass doors with 2pcs stainless steel 304 handle bars(10mm diameter Stainless Steel 304 Round Bar x 7in. screw mounted in between center. \* 1 set (Full door 3 way CAM locking system w/ key), and 4 heavy duty detachable hinges( 3 inches long) on each door.
4. 5 Adjustable and detachable shelves with support set.
5. Bolts and nuts must be installed as fasteners.
6. Tongue and groove must be provided to interlock the bottom cover(tongue), side panels and back panels. (groove).
7. The 3 way CAM Locking system of the collapsible cabinet door is subject for approval during sample evaluation.
8. Cabinet must be mounted on the WALL using 2pcs. Ø3/8 inches x 2 inches METAL EXPANSION BOLT with Ø20mm x 2mm thick washer.

**GENERAL NOTES:**

1. All dimensions are in millimeter unless otherwise specified.
2. Remove burrs and sharp edges.

Date OCTOBER 2021	Scale NTP	<b>TVL TOOLS AND EQUIPMENT</b>	
Conceptualized by	Drawn by B.C. Usordia	Item Name COLLAPSIBLE STAINLESS STEEL CABINET (CABINET #2)	Sheet 31/14
Designed by B.C. Usordia	D-G-Checked by J.N. [Signature]	Material 1mm THICK STAINLESS STEEL 304 SHEET	File name CABINETDESIGNING
Recommended by A.B. Ybarra	Approved by R.C. La Rosa	 <b>DepED-BLR</b>	



FRONT ISOMETRIC VIEW

REAR ISOMETRIC VIEW

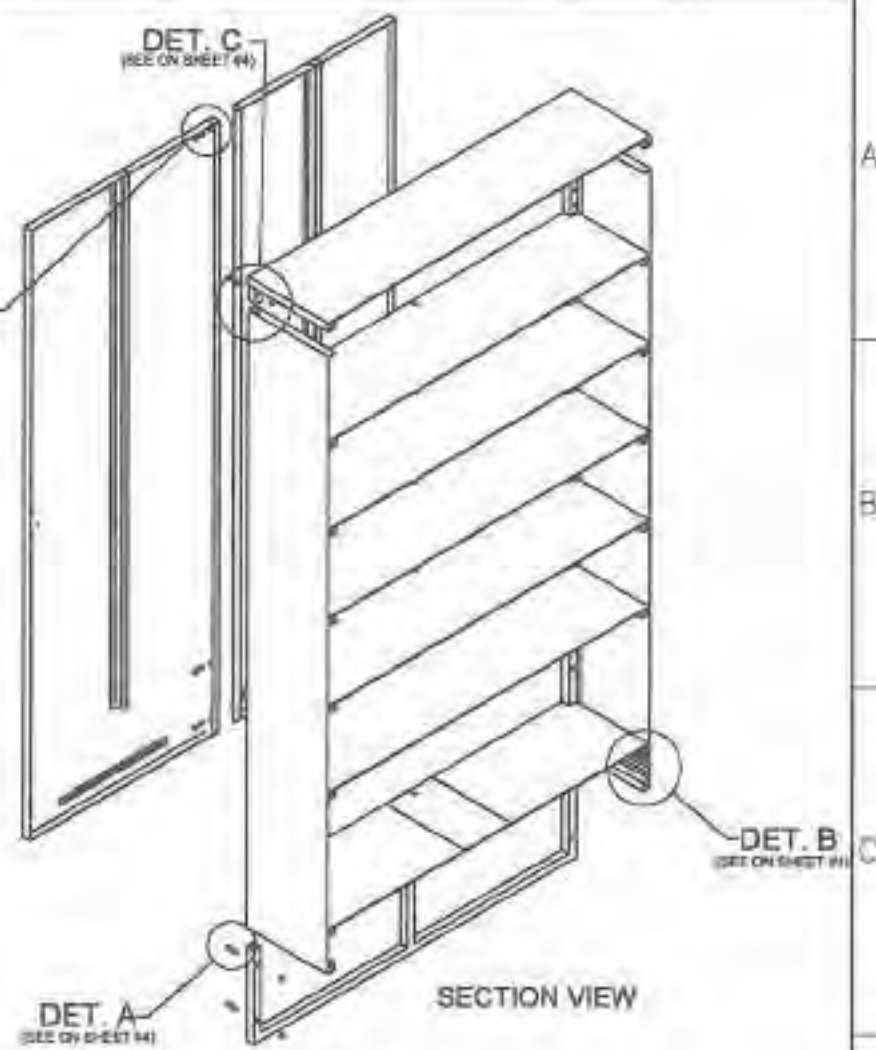
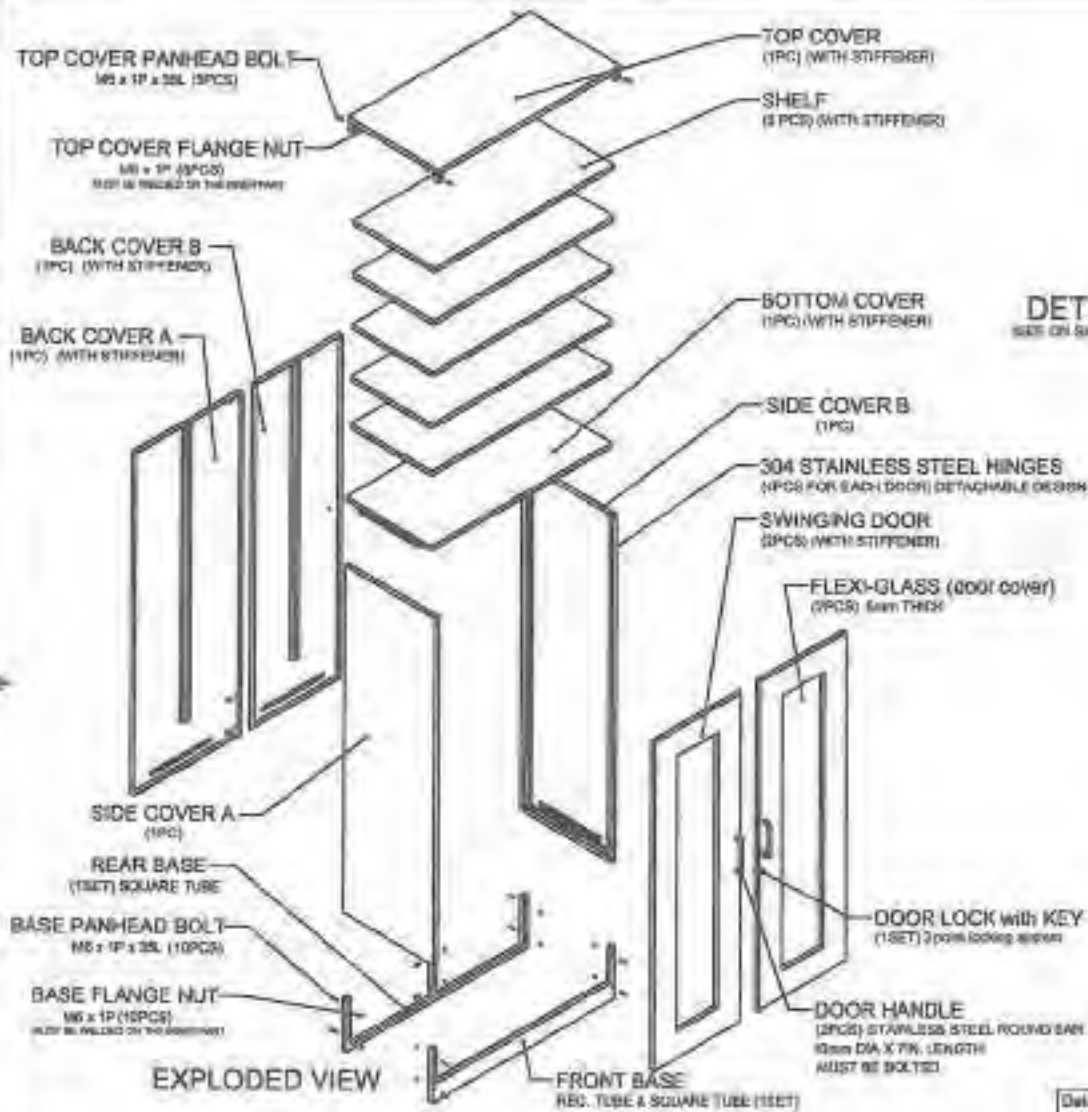
**GENERAL NOTES:**  
 1. All dimensions are in millimeter unless otherwise specified.  
 2. Remove burrs and sharp edges.

Date	OCTOBER 2021	Scale	1/16"	<b>TVL TOOLS AND EQUIPMENT</b>	
Consolidated by					
Drawn by	B.C. Leoncio	Checked by	J.N. Ariza	Material	1mm THICK STAINLESS STEEL 304 SHEET
Designed by	B.C. Leoncio	Recommended by	A.B. Ybaldez	Sheet	10/14
Approved by	R.C. Lozano			File name	CABINETDESIGN



**DepED-BLR**

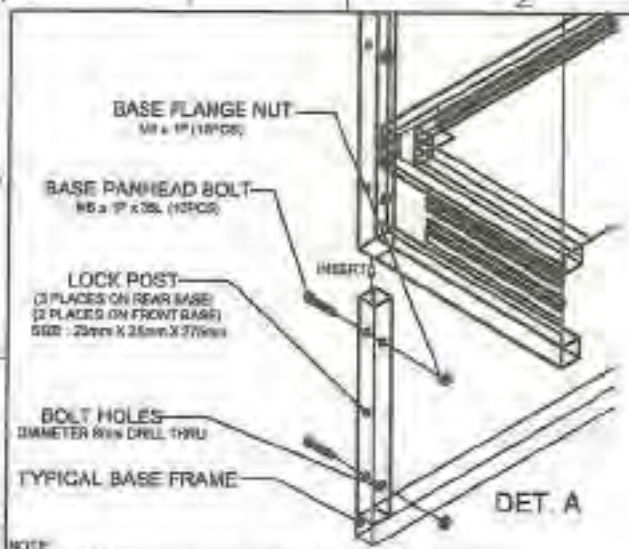




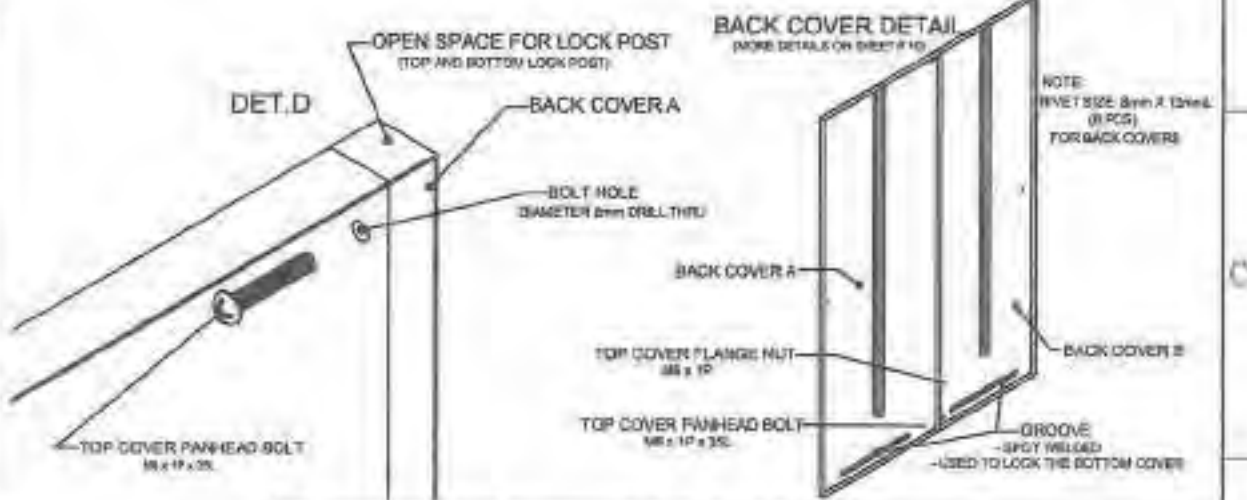
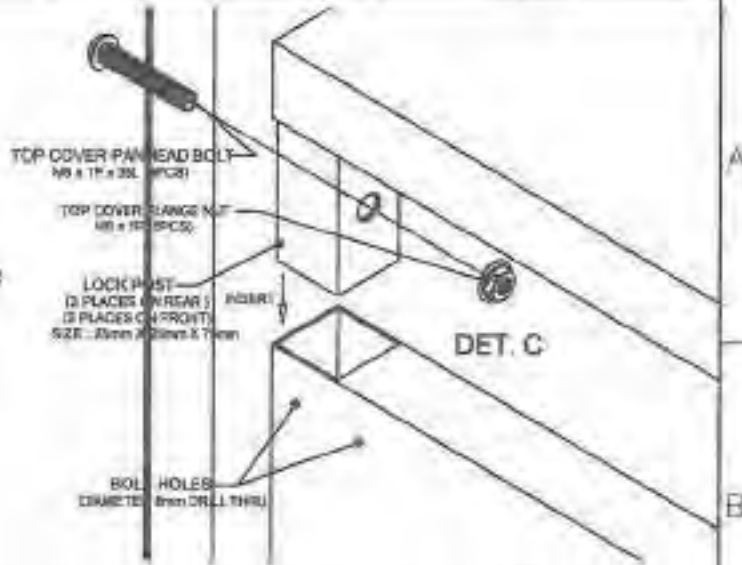
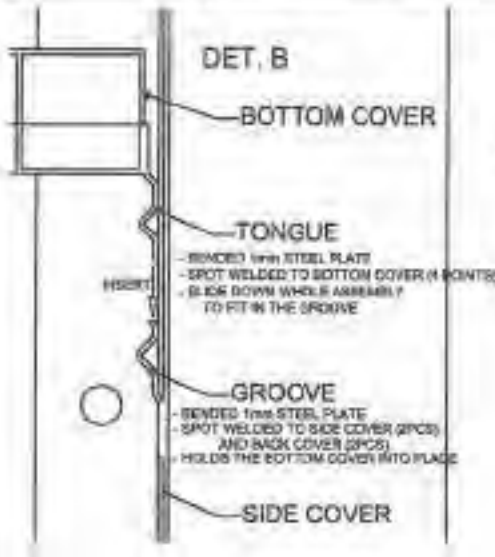
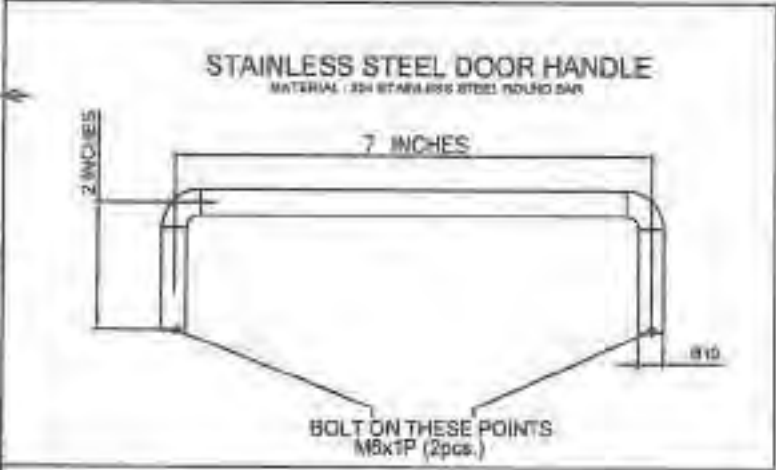
**GENERAL NOTES:**

1. All dimensions are in millimeter unless otherwise specified.
2. Remove burrs and sharp edges.


Date	October 2021	Code	WTS	<b>TVL TOOLS AND EQUIPMENT</b>	
Conceptualized by					
Drawn by	B.C. Leonora			COLLAPSIBLE STAINLESS STEEL CABINET ASSEMBLY (CABINET # 2)	
Designed by	B.C. Leonora			Material	1mm THICK STAINLESS STEEL 304 SHEET
Recommended by	A.B. Ybaltes			File name	CABINETDESIGN2
Approved by	B.C. La Rosa			 <b>DepED-BLR</b>	

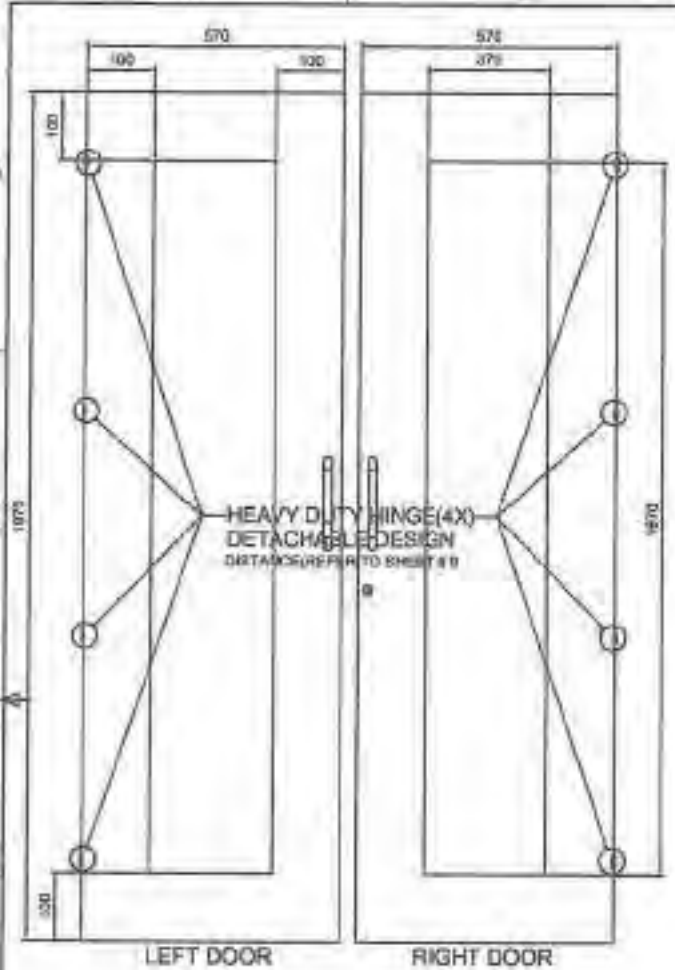


**NOTE:**  
1. APPLY RIVET (4 places) AFTER ASSEMBLY SO STRUTTER ASSEMBLY  
2. ALUMINUM RIVET ( Diameter 6mm x 10mm length)

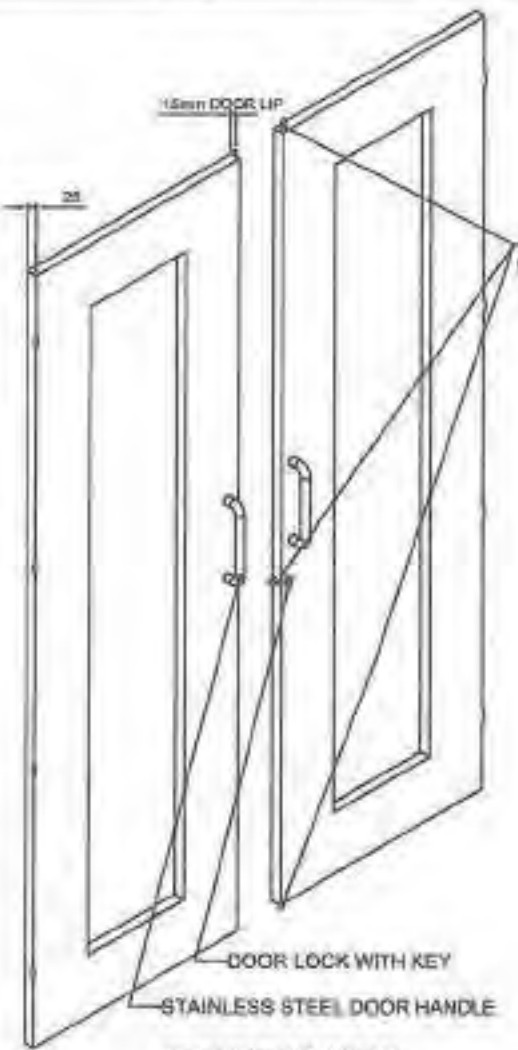


**GENERAL NOTES:**  
1. All dimensions are in millimeter unless otherwise specified.  
2. Remove burrs and sharp edges.

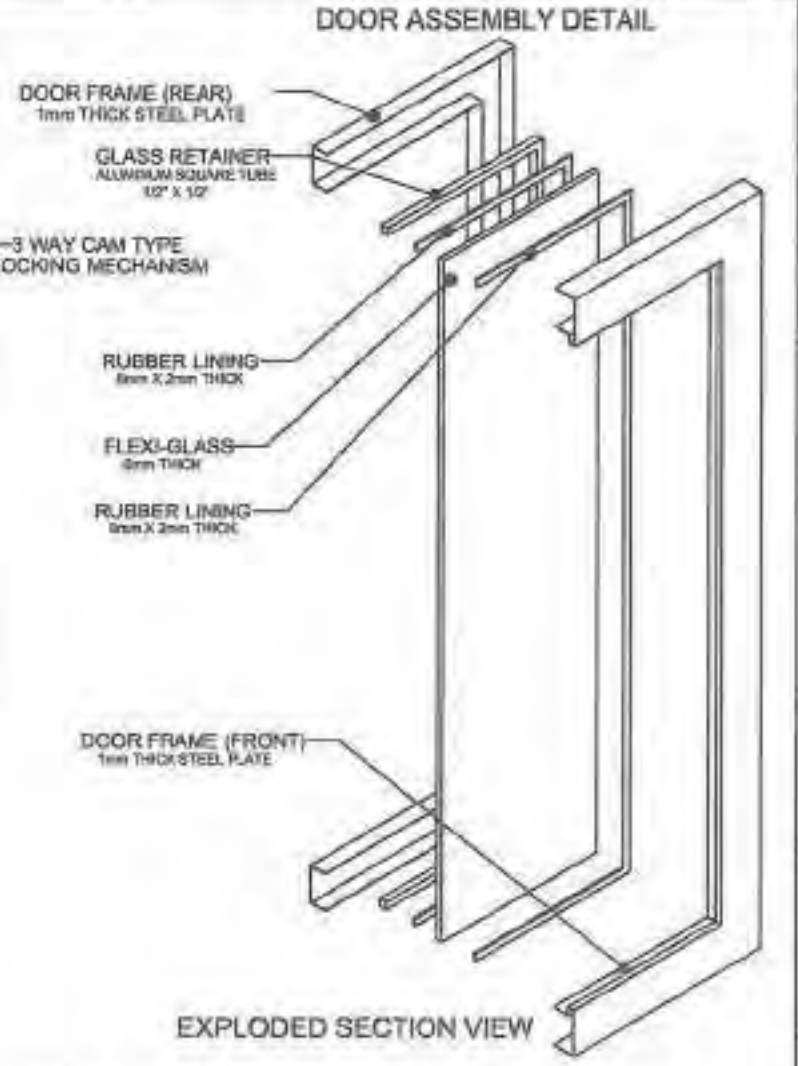
Date	OCTOBER 2021	Scale	1/1=1	<b>TVL TOOLS AND EQUIPMENT</b>	
Controlled by					
Drawn by	B.C. Leonora	Checked by	J.N. [Signature]	Sheet	04/14
Designed by	B.C. Leonora	Checked by	J.N. [Signature]	Material	THICK STAINLESS STEEL 304 SHEET
Recommended by	A.B. Ybanes	Approved by	R.C. La Rosa	File name	CABINET0302
				 <b>DepED-BLR</b>	



FRONT VIEW



ISOMETRIC VIEW



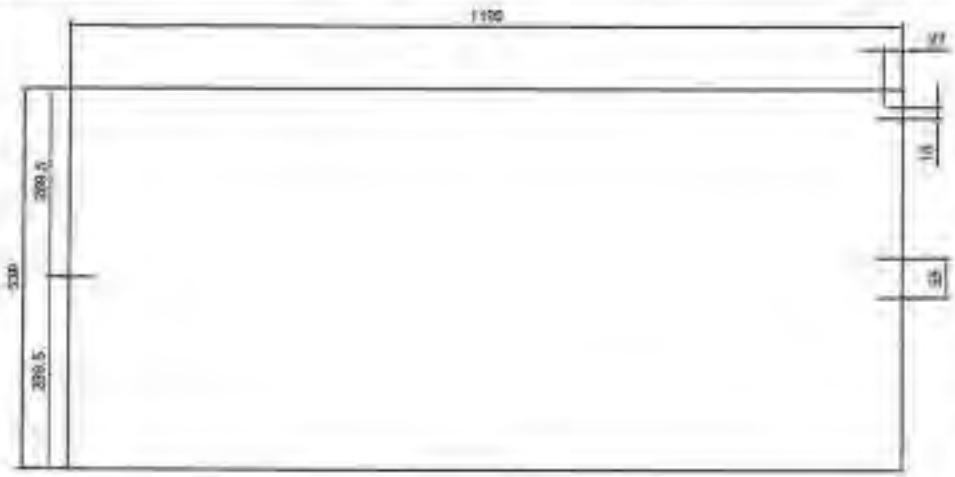
EXPLODED SECTION VIEW

**GENERAL NOTES:**  
 1. All dimensions are in millimeter unless otherwise specified.  
 2. Remove burrs and sharp edges.

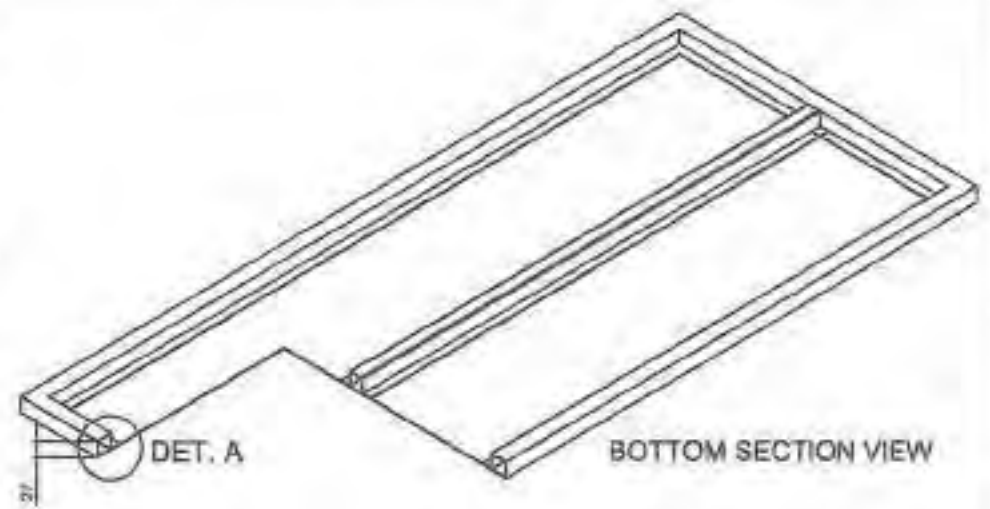
Date	OCTOBER 2021	Scale	HTS	<b>TVL TOOLS AND EQUIPMENT</b>	
Conceived by					
Drawn by	B.C. Licansin	Checked by	J.M. Lopez	Material	1mm THICK STAINLESS STEEL 304 SHEET
Designed by	B.C. Licansin	Approved by	A.B. Ybalde	Sheet	09/14
Recommended by	A.B. Ybalde	Approved by	R.C. La Rosa	File name	CABINETDESIGN2



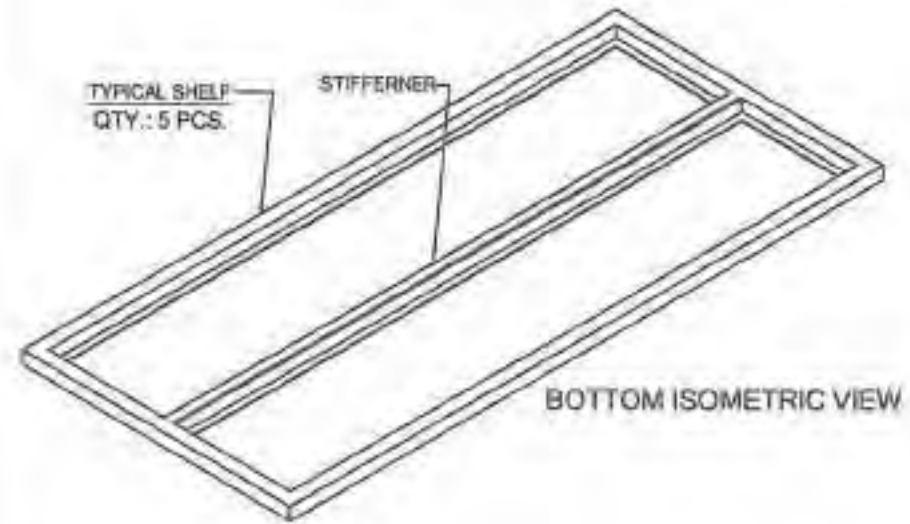
**DepED-BLR**



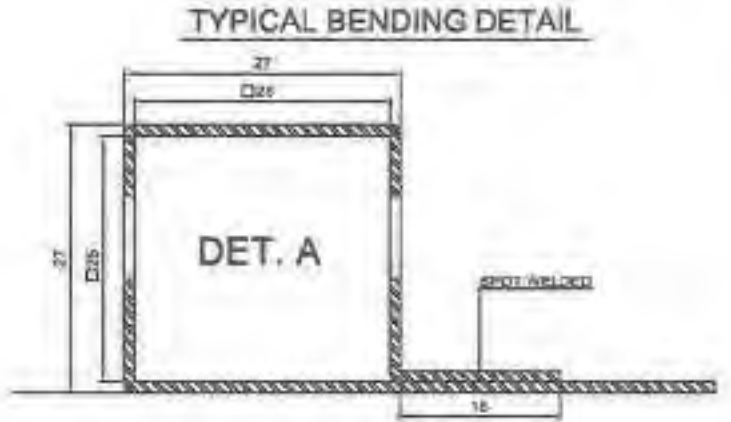
TOP VIEW



BOTTOM SECTION VIEW



BOTTOM ISOMETRIC VIEW



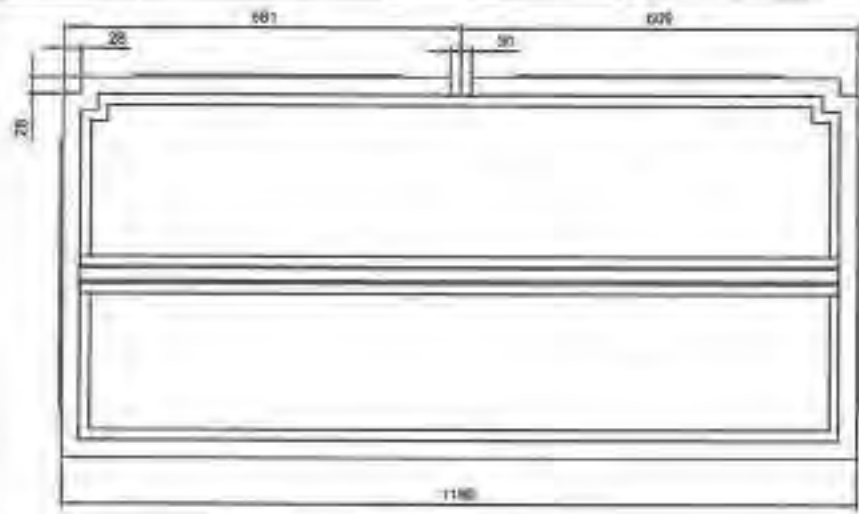
TYPICAL BENDING DETAIL

SECTION VIEW

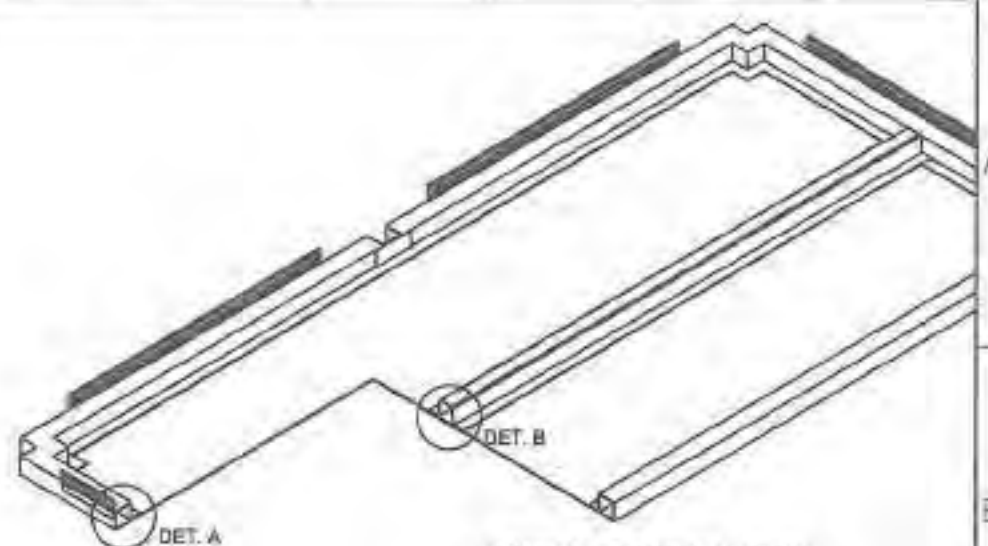
**GENERAL NOTES:**

1. All dimensions are in millimeter unless otherwise specified.
2. Remove burrs and sharp edges.

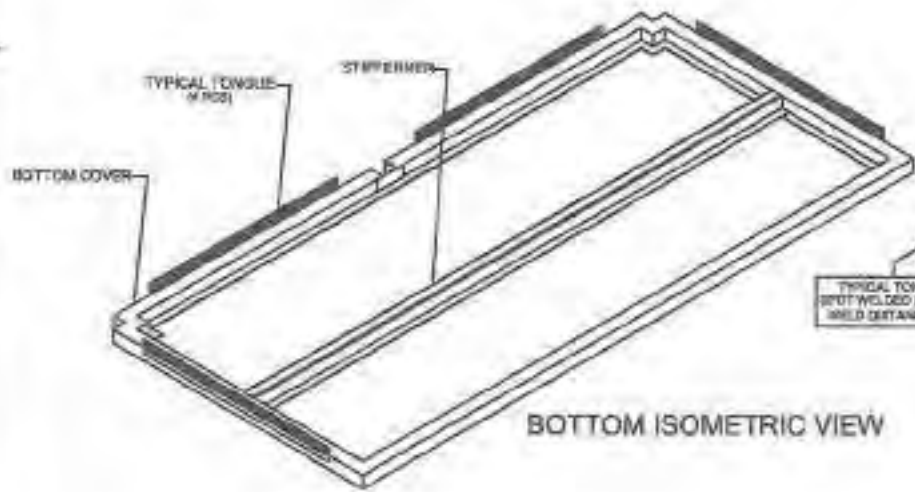
Date OCTOBER 2021	Scale 1:1.5	<b>TVL TOOLS AND EQUIPMENT</b>	
Conceptualized by		Item Name TYPICAL SHELF DETAILS (CABINET # 2)	Sheet 05/14
Drawn by B.C. Usantra	R.C. Checked by J.N. [Signature]	Material 1mm THICK STAINLESS STEEL 304 SHEET	File name CABINETDESIGN
Recommended by A.B. Ybafre	Approved by R.C. La Rosa	 <b>DepED-BLR</b>	



TOP VIEW



BOTTOM SECTION VIEW



BOTTOM ISOMETRIC VIEW

TYPICAL BENDING DETAIL



SECTION VIEW

TYPICAL STIFFENER DETAIL



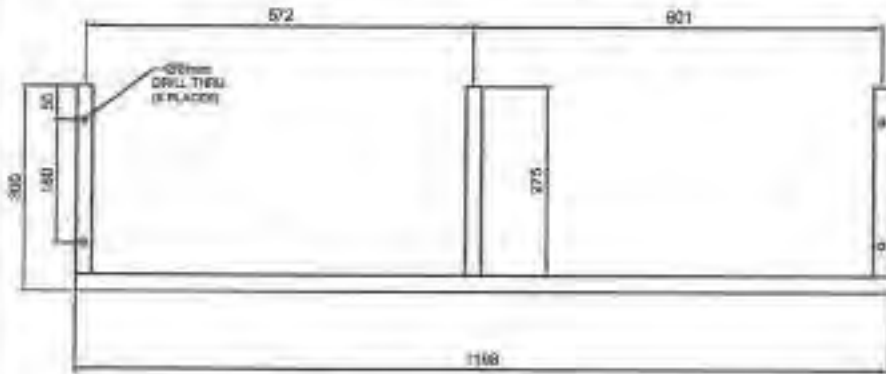
SECTION VIEW

**GENERAL NOTES:**

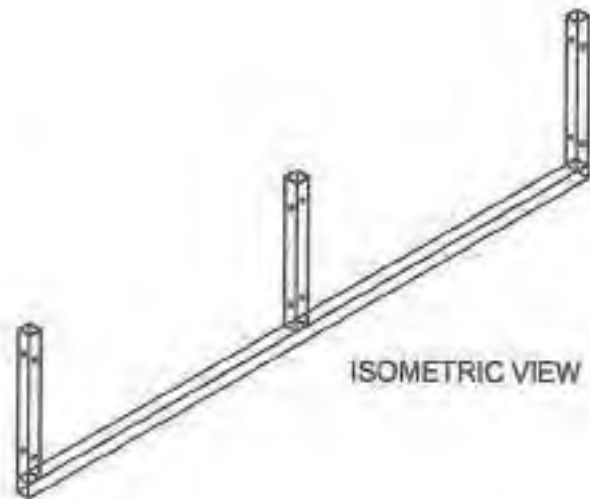
1. All dimensions are in millimeter unless otherwise specified
2. Remove burrs and sharp edges.

Date OCTOBER 2021	Scale 1/15	<b>TVL TOOLS AND EQUIPMENT</b>	
Conceptualized by		Item Name <b>BOTTOM COVER DETAILS (CABINET # 2)</b>	Sheet 07/14
Drawn by B.C. Leonora		Material 1mm THICK STAINLESS STEEL SHEET	File name CABINETDESIGN
Designed by B.C. Leonora	C.C. checked by J.N. [Signature]	 <b>DepED-BLR</b>	
Recommended by A.B. Ybanes			
Approved by H.C. [Signature]			

**REAR BASE FRAME**

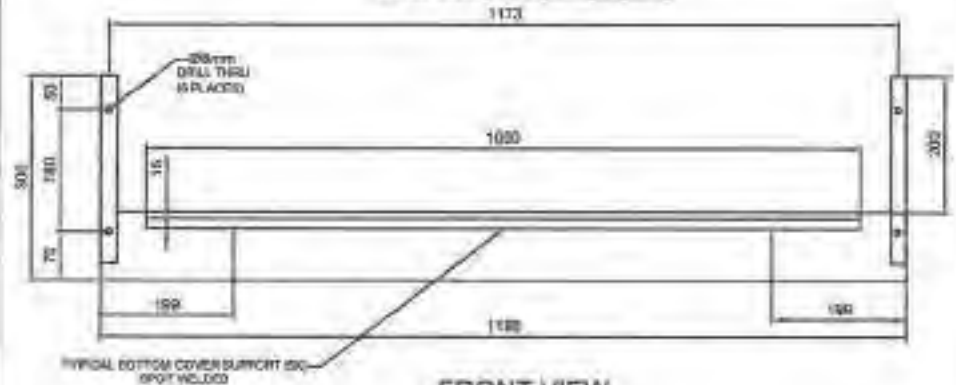


**FRONT VIEW**

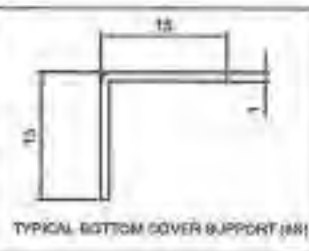


**ISOMETRIC VIEW**

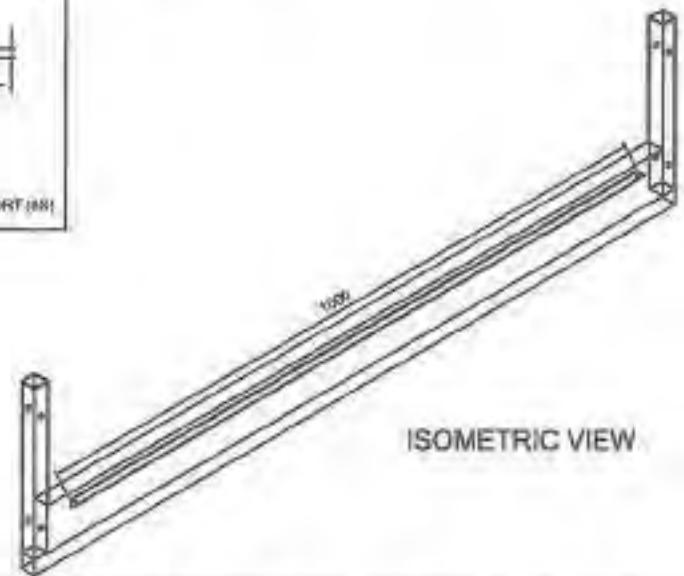
**FRONT BASE FRAME**



**FRONT VIEW**




**TYPICAL BOTTOM COVER SUPPORT (AR)**

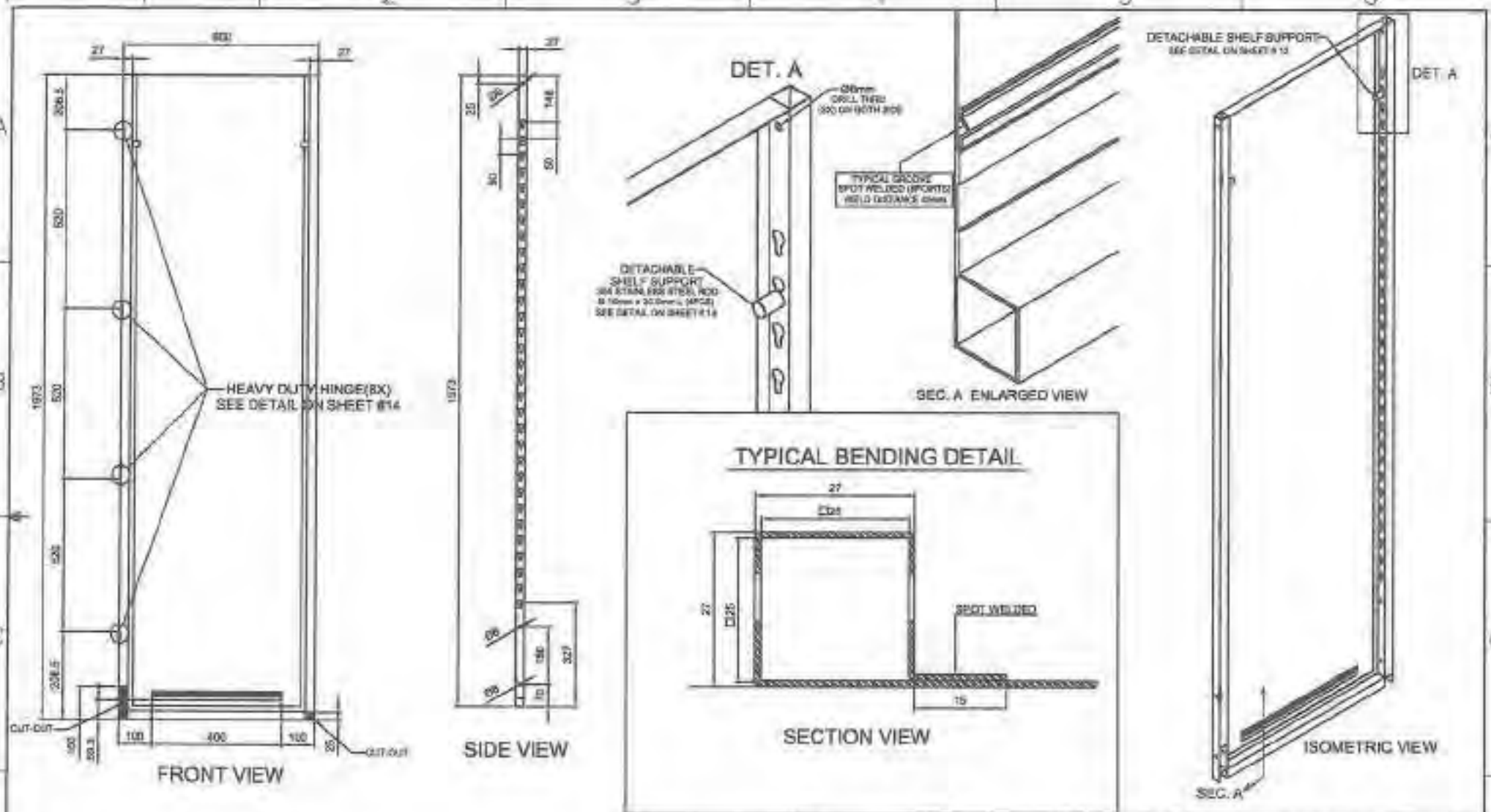


**ISOMETRIC VIEW**

**GENERAL NOTES:**

1. All dimensions are in millimeter unless otherwise specified.
2. Remove burrs and sharp edges.

Date OCTOBER 2021	Scale 1:1.5	<b>TVL TOOLS AND EQUIPMENT</b>	
Conceptualized by B.C. Lianora		Item Name BASE FRAME DETAILS (CABINET # 2)	Sheet 05/14
Drawn by B.C. Lianora	C.C. Checked by J.N. Alonzo	Material 1mm THICK STAINLESS STEEL - 304 SHEET	File name CABINETDESIGN
Recommended by A.B. Yballe	Approved by R.C. La Rosa	 <b>DepED-BLR</b>	



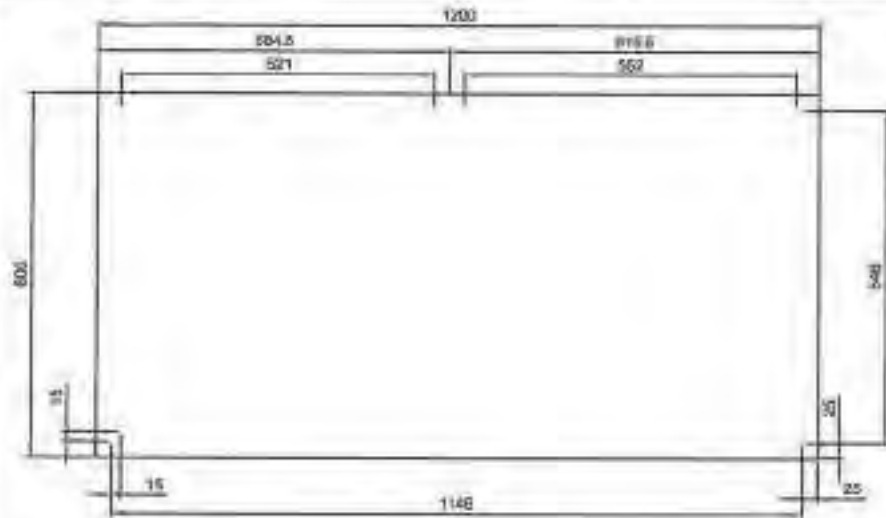
**GENERAL NOTES:**

1. All dimensions are in millimeter unless otherwise specified.
2. Remove burrs and sharp edges.

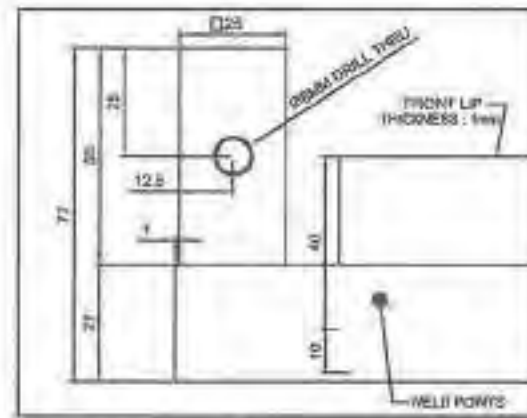
Date OCTOBER 2021	Scale	<b>TVL TOOLS AND EQUIPMENT</b>	
Conceptualized by		Item Name TYPICAL SIDE COVER DETAILS (CABINET # 2)	Sheet 09/14
Drawn by B.C. Usongha		Material 1mm THICK STAINLESS STEEL 304 SHEET	File name CABINETDESIGN2
Designed by B.C. Usongha	Checked by J.N. Frings	 <b>DepED-BLR</b>	
Recommended by A.B. Ybarido			
Approved by R.C. La Rosa			





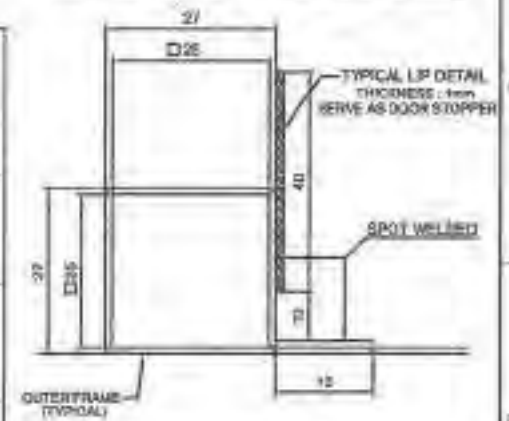


TOP VIEW

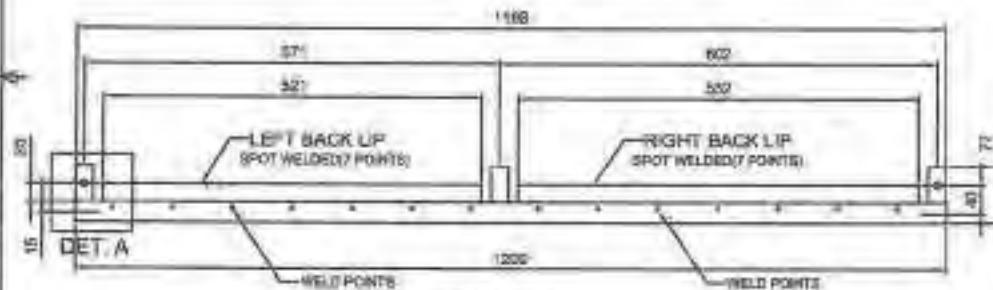


DET. A

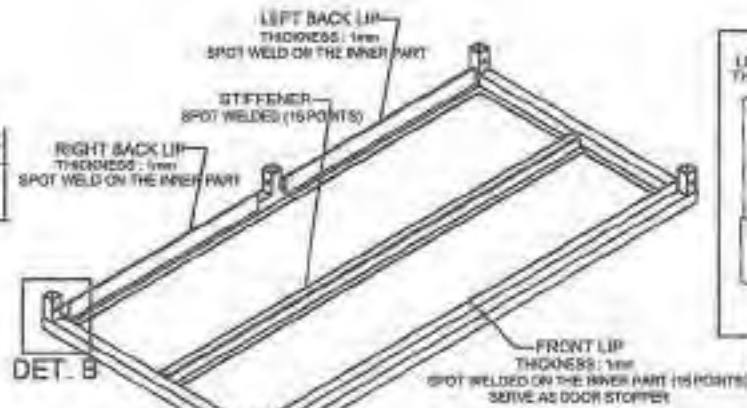
TYPICAL BENDING DETAIL



SECTION VIEW

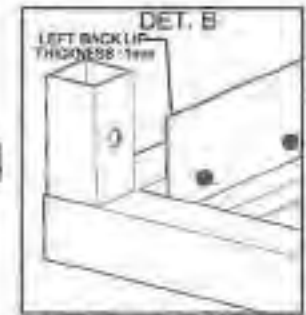


REAR VIEW

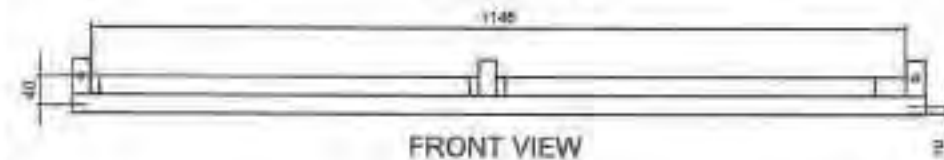


DET. B

BOTTOM ISOMETRIC VIEW



ENLARGED VIEW



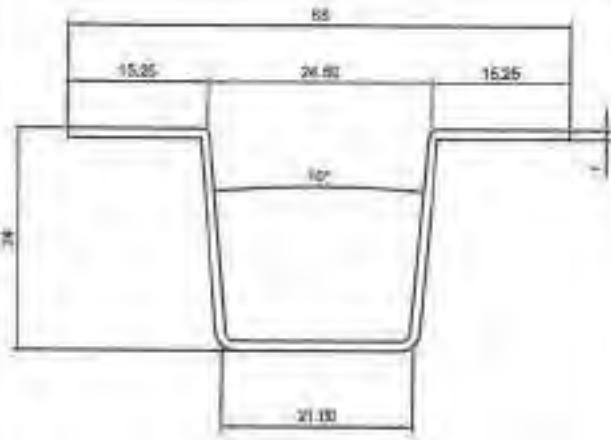
FRONT VIEW

GENERAL NOTES:

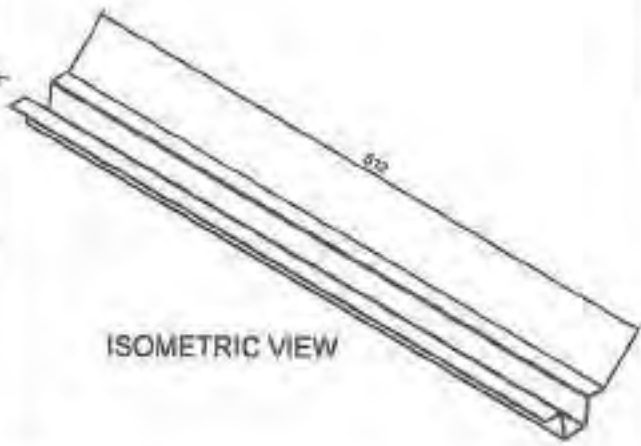
1. All dimensions are in millimeter unless otherwise specified.
2. Remove burrs and sharp edges.

Date OCTOBER 2021	Scale NTR	TVL TOOLS AND EQUIPMENT	
Conceptualized by		Item Name TOP COVER DETAILS (CABINET # 2)	Sheet 11/14
Drawn by B.C. Usorin	Designed by O.C. Chiodo	Material 1mm THICK STAINLESS STEEL 304 SHEET	File name CABINETDESIGN2
Recommended by A.B. Ybalde	Approved by R.C. La Rosa	 <b>DepED-BLR</b>	

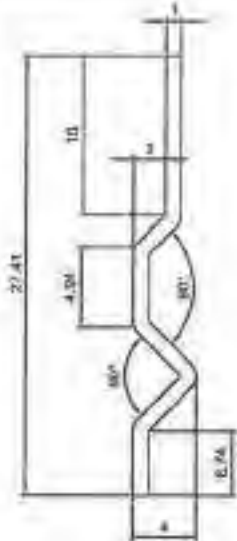
**STIFFENER**



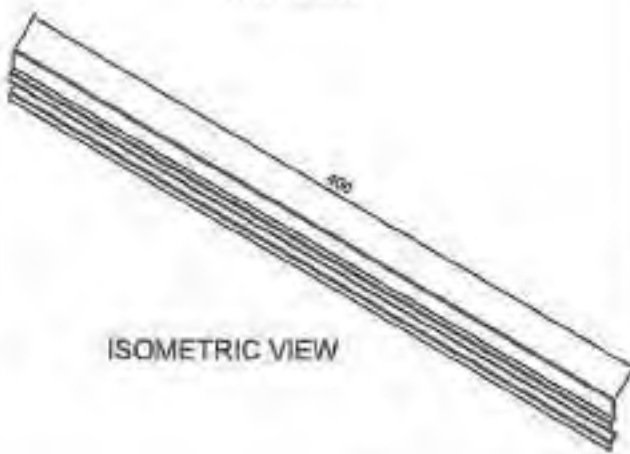
TOP VIEW



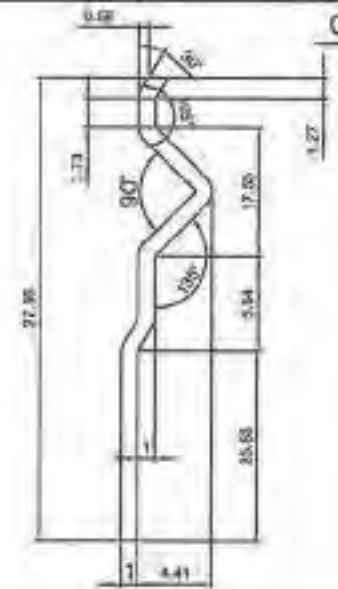
**TONGUE**



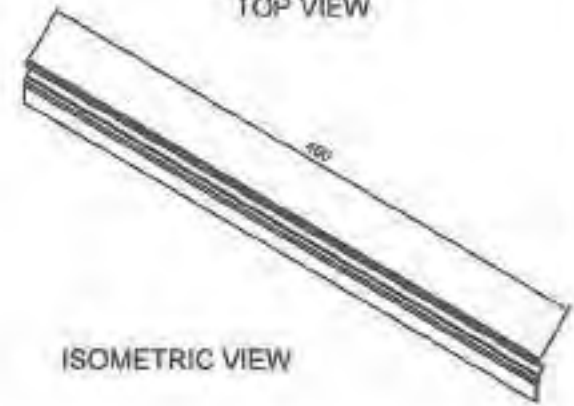
TOP VIEW



**GROOVE**



TOP VIEW



**GENERAL NOTES:**

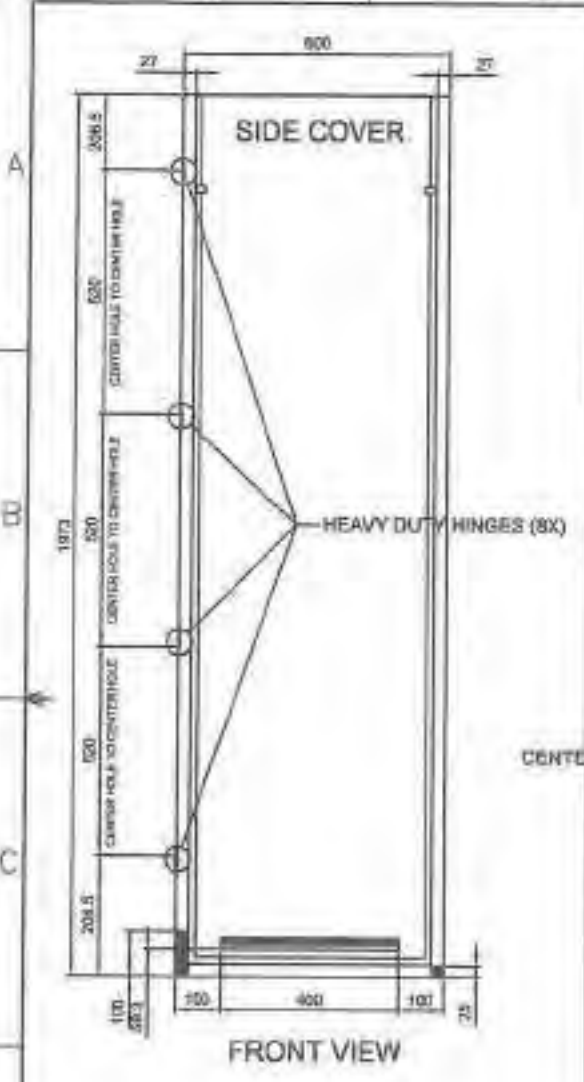
1. All dimensions are in millimeter unless otherwise specified.
2. Remove burrs and sharp edges.

Date OCTOBER 2021	Scale NTP	<b>TVL TOOLS AND EQUIPMENT</b>	
Conceptualized by		Item Name TYPICAL LOCKING & REINFORCEMENT DETAILS (CABINET # 2)	Sheet 12/14
Drawn by B.C. Leonora	Designed by B.C. Leonora	Material 1mm THICK STAINLESS STEEL 304 SHEET	File Name CABINETDESIGN
Checked by J.N. [Signature]	Recommended by A.B. Ybaldo	 <b>DepED-BLR</b>	
Approved by R.C. La Rosa			

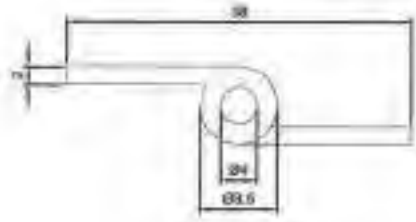


# HEAVY DUTY DETACHABLE HINGES DETAIL

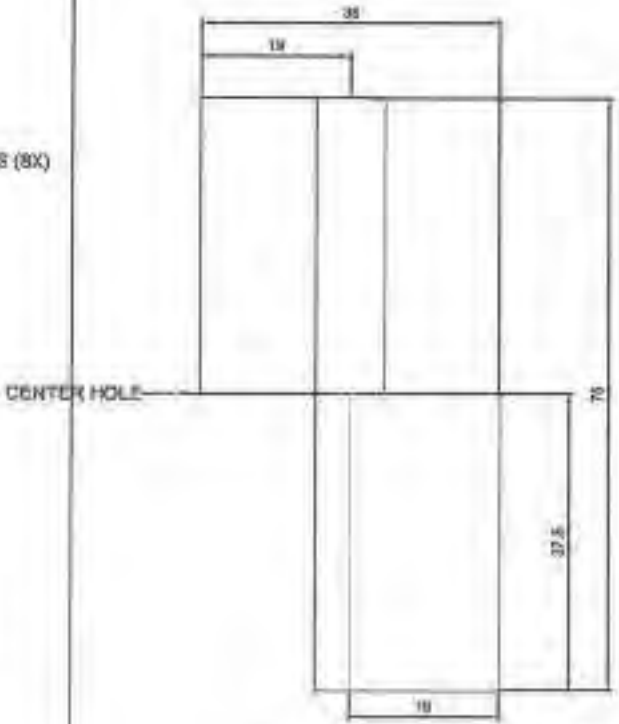
MATERIAL : STAINLESS STEEL 304  
 QUANTITY : 4pcs. RIGHT & 4pcs. LEFT HINGE



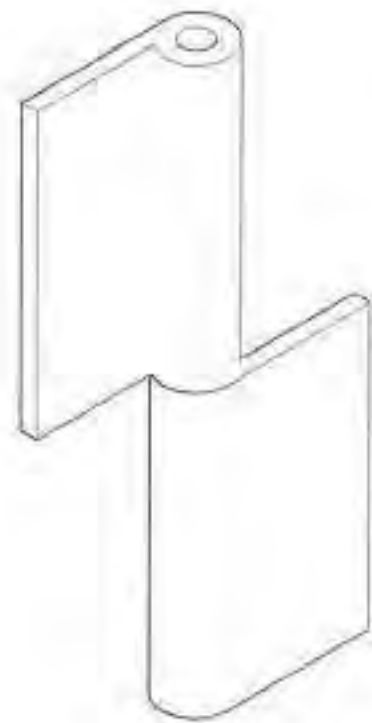
FRONT VIEW



TOP VIEW



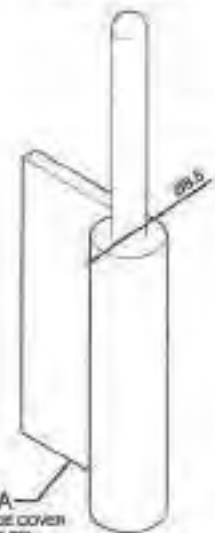
FRONT VIEW



ISOMETRIC VIEW



PART B  
 WELDED TO THE DOOR  
 (ON THE 3 HOLES)



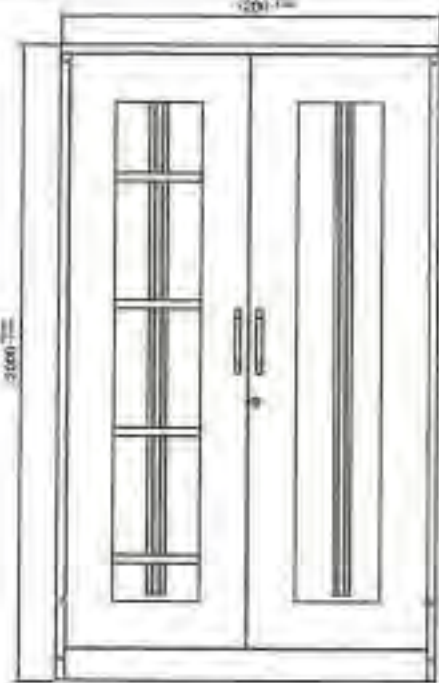
PART A  
 WELDED TO THE SIDE COVER  
 (ON THE 3 HOLES)

EXPLODED VIEW

**GENERAL NOTES:**

1. All dimensions are in millimeter unless otherwise specified.
2. Remove burrs and sharp edges.

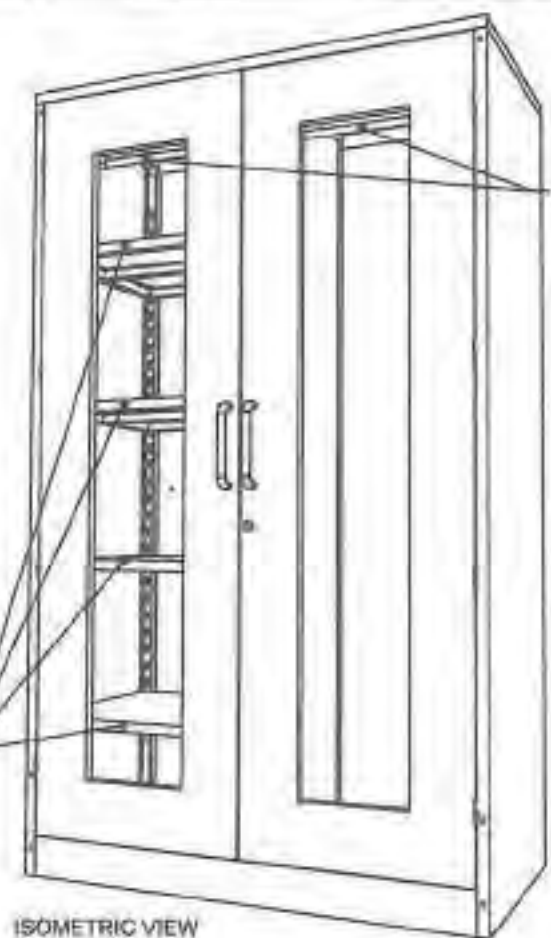
Date OCTOBER 2021	Scale HTS	TVL TOOLS AND EQUIPMENT	
Conceptualized by	Drawn by B.C. Lozano	Item Name DETACHABLE HINGE DETAILS (CABINET # 2)	Sheet 14/14
Designed by B.C. Lozano	C.C. Checked by J.N. Lopez	Material 1mm THICK STAINLESS STEEL 304 SHEET	File name CABINETDESIGN2
Recommended by A.B. Ybalde	Approved by R.C. La Rosa	 <b>DepED-BLR</b>	



FRONT VIEW



SIDE VIEW



ISOMETRIC VIEW

HANGER RACK  
(BOTH SID)

DETACHABLE SHELF  
(4PCS ON THE LEFT SID)

**Description :**


- Color : CYAN BLUE: C, M, Y, K (71,53,0,12)
- Material : 1.00mm Thick Cold-rolled Steel Sheet, 6mm thick Flexi-Glass Door
- Size : 2.0 meters x 1.20 meters x 0.6 meters
- Feature : Durable and Rigid

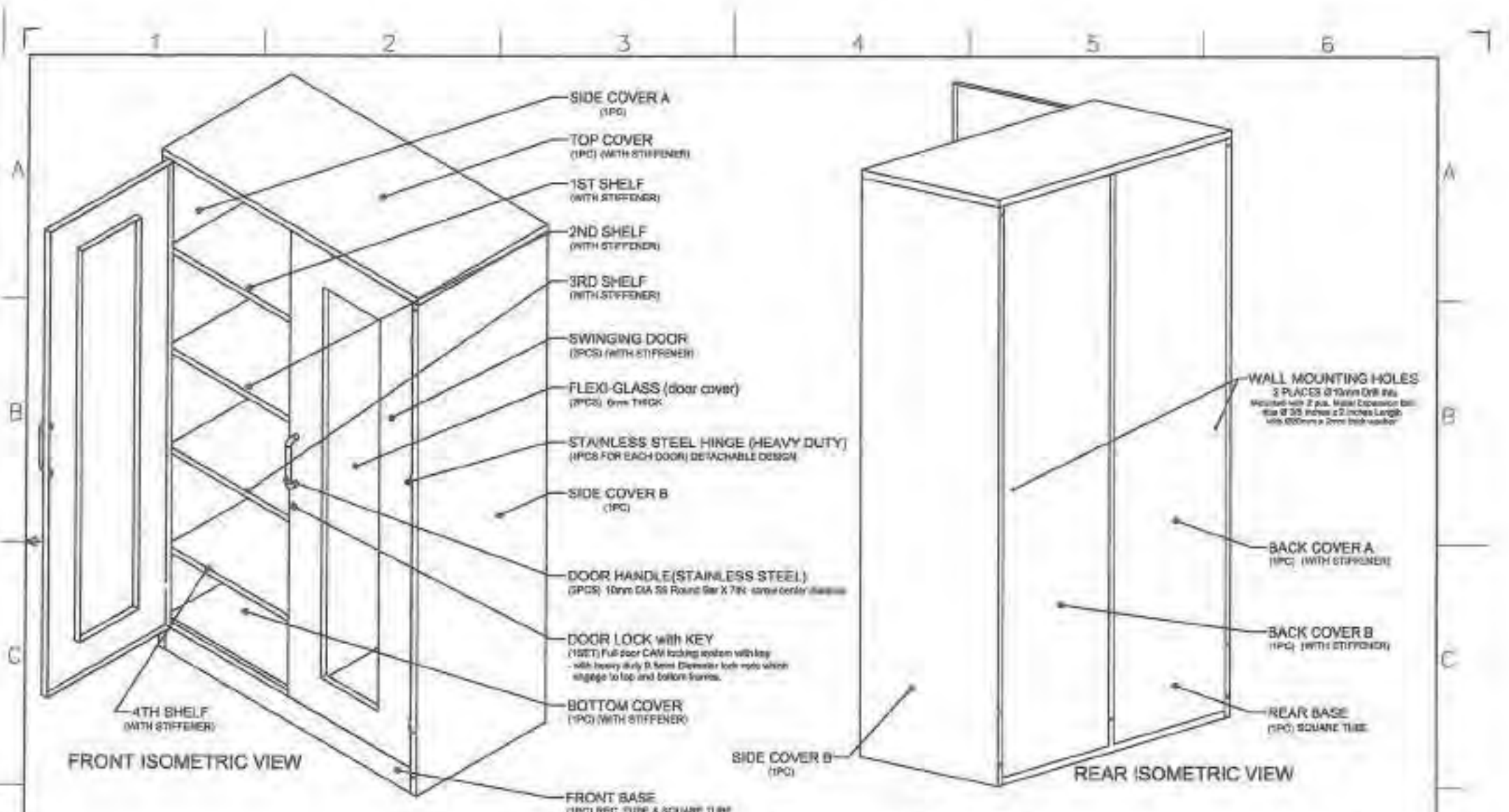
**About Cabinet :**

1. 1.00mm thickness steel sheet, then powder coat (Welded surface must be hidden);
2. The cabinet body's material is cold-rolled steel;
3. 2 Swinging flexi-glass doors with 2pcs stainless steel 304 handle bars(10mm diameter Stainless Steel 304 Round Bar x 7in. screw mounted in between center.  
\* 1 set (Full door 3 way CAM locking system w/ key), and 4 heavy duty detachable hinges( 3 inches long) on each door.
4. 4 Adjustable and detachable half shelves on the left side with support set and a hanger rack on both sides;
5. Bolts and nuts must be installed as fasteners.
6. Tongue and groove must be provided to interlock the bottom cover(tongue), side panels and back panels (groove).
7. The 3 way CAM Locking system of the collapsible cabinet door is subject for approval during sample evaluation.
8. Cabinet must be mounted on the WALL using 2pcs. Ø3/8 inches x 2 inches METAL EXPANSION BOLT with Ø20mm x 2mm thick washer.

**GENERAL NOTES:**


1. All dimensions are in millimeter unless otherwise specified.
2. Remove burrs and sharp edges.

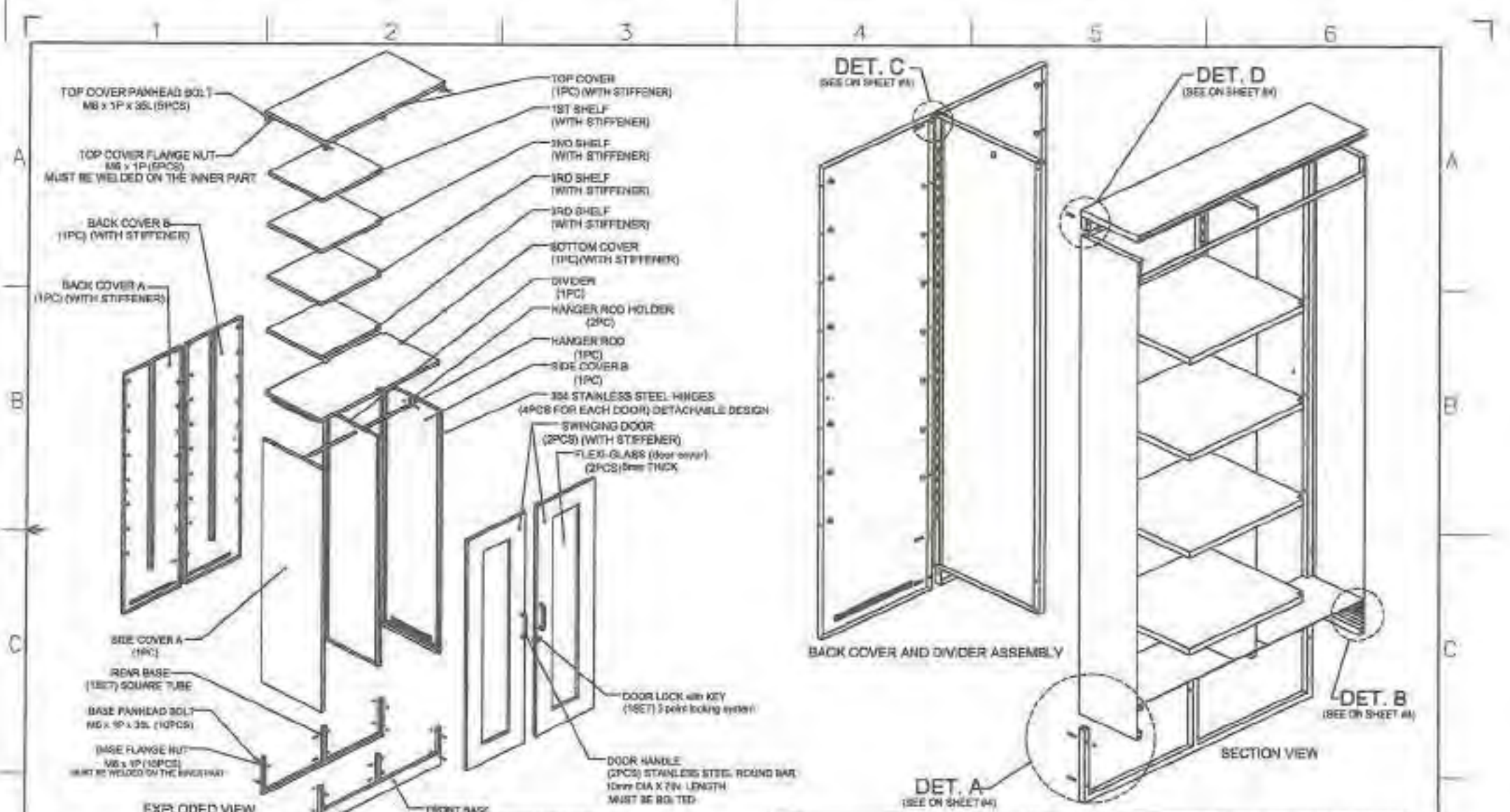
Date	OCTOBER 2021	Scale	1/75	<b>TVL TOOLS AND EQUIPMENT</b>	
Concepted by					
Drawn by	B.C. Leonido	Q.C. Checked by	J.N. Alonzo	Material	1mm THICK COLD-ROLLED STEEL SHEET
Designed by	B.C. Leonido	Q.C. Checked by	J.N. Alonzo	File name	CABINETDESIGN
Recommended by	A.B. Yonaher			 <b>DepED-BLR</b>	
Approved by	R.C. La Rosa				



**GENERAL NOTES:**

1. All dimensions are in millimeter unless otherwise specified.
2. Remove burrs and sharp edges.

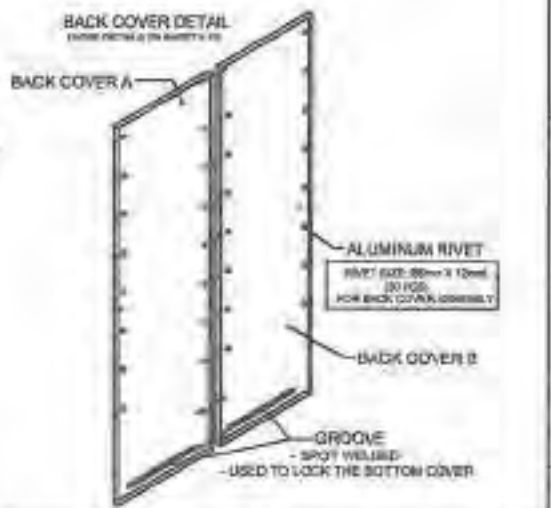
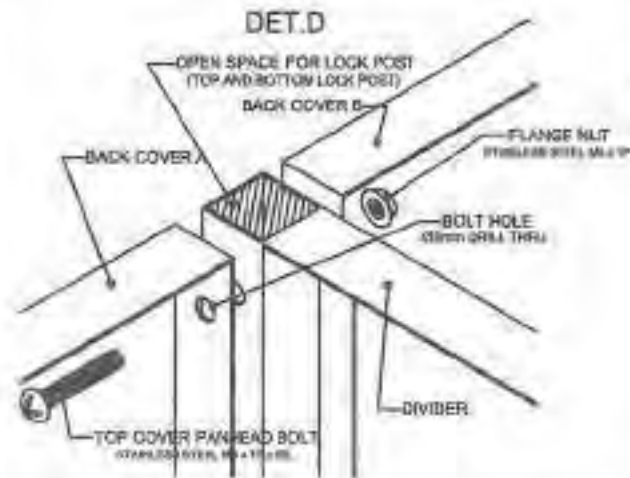
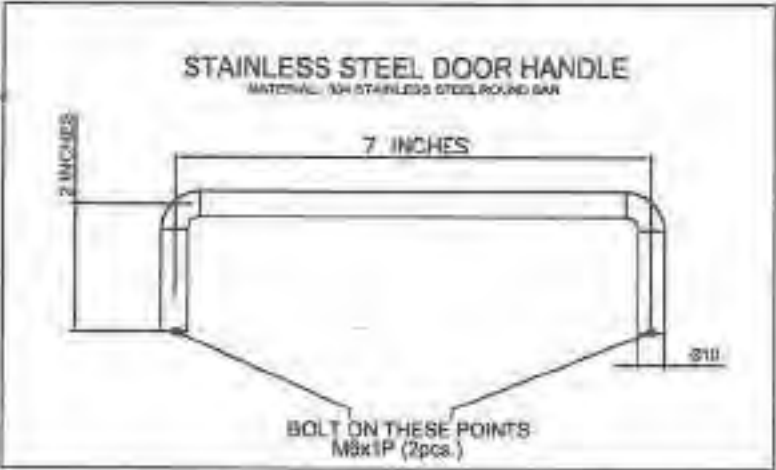
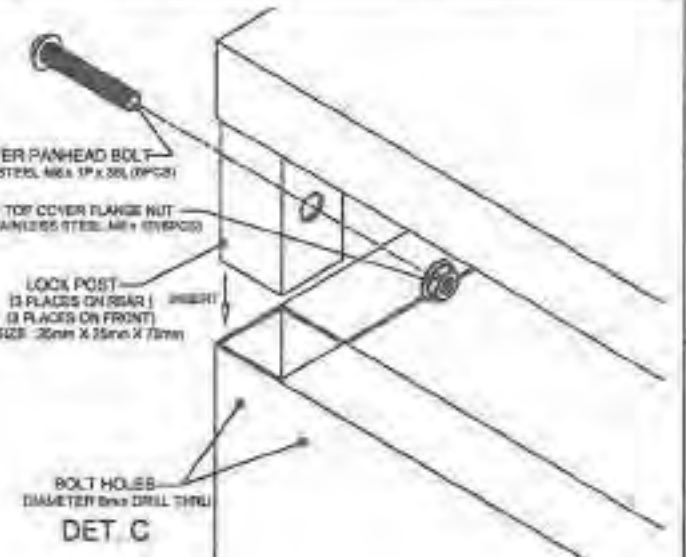
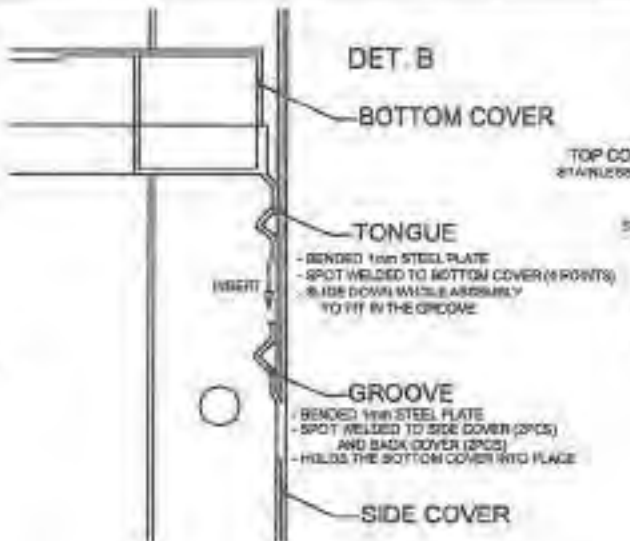
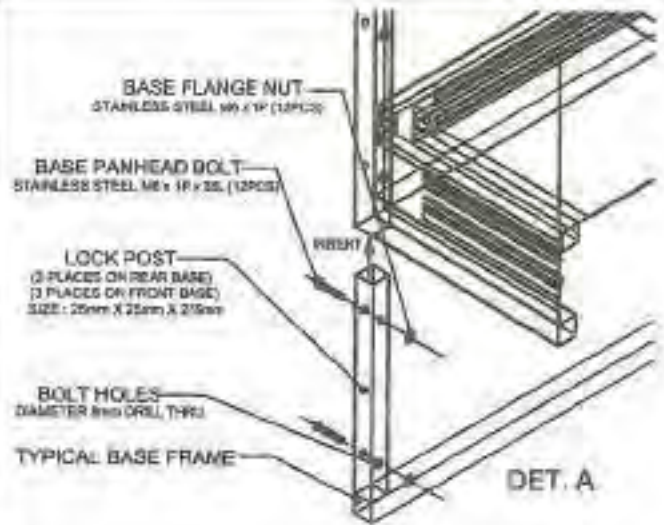
Date	OCTOBER 2021	Scale	1/75	<b>TVL TOOLS AND EQUIPMENT</b>	
Conceptualized by					
Drawn by	S.C. Lakshmi			COLLAPSIBLE STEEL CABINET (CABINET # 3)	
Designed by	S.C. Lakshmi			Material	1mm THICK COLD-ROLLED STEEL SHEET
Q.C. Checked by	J.N. Arora			File name	CABINETDESIGN.DWG
Recommended by	A.B. Yezhaiz			 <b>DepED-BLR</b>	
Approved by	S.C. La Page				



**GENERAL NOTES:**

1. All dimensions are in millimeter unless otherwise specified.
2. Remove burrs and sharp edges.

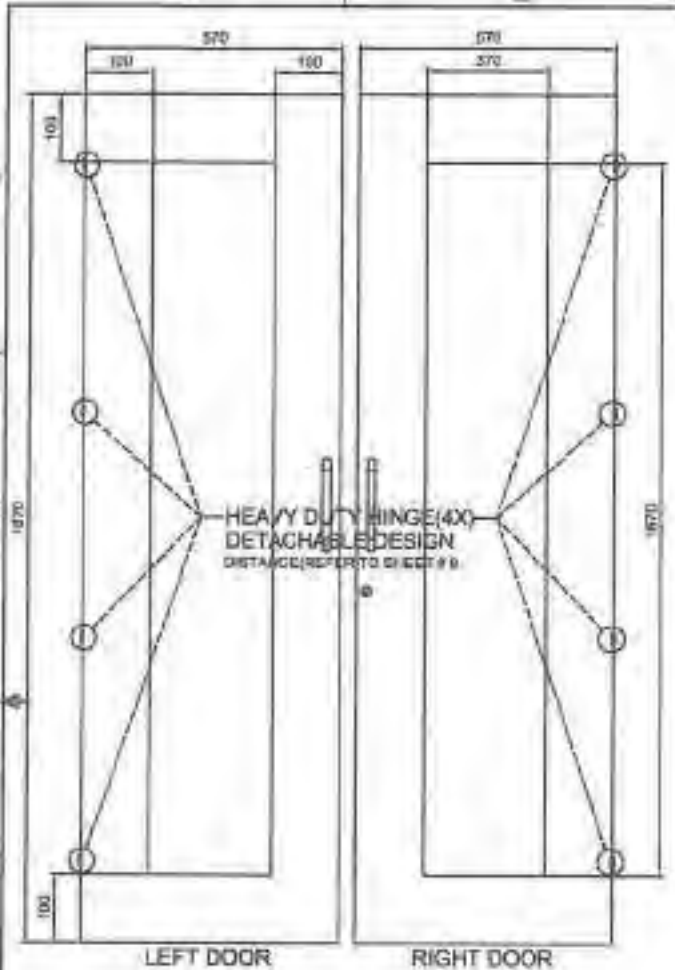
Date	OCTOBER 2021	Scale	HTS	<b>TVL TOOLS AND EQUIPMENT</b>	
Conceptualized by					
Drawn by	B.C. Usinara	Checked by	J.N. Jais	Item Name	<b>COLLAPSIBLE STEEL CABINET (CABINET # 3)</b>
Designed by	B.C. Usinara	Material	1mm THICK COLD-ROLLED STEEL SHEET	Sheet	03/17
Recommended by	A.B. Yashraj	File name	CABINET-TOE-SWORD	<b>DepED-BLR</b>	
Approved by	R.C. Le Rios				



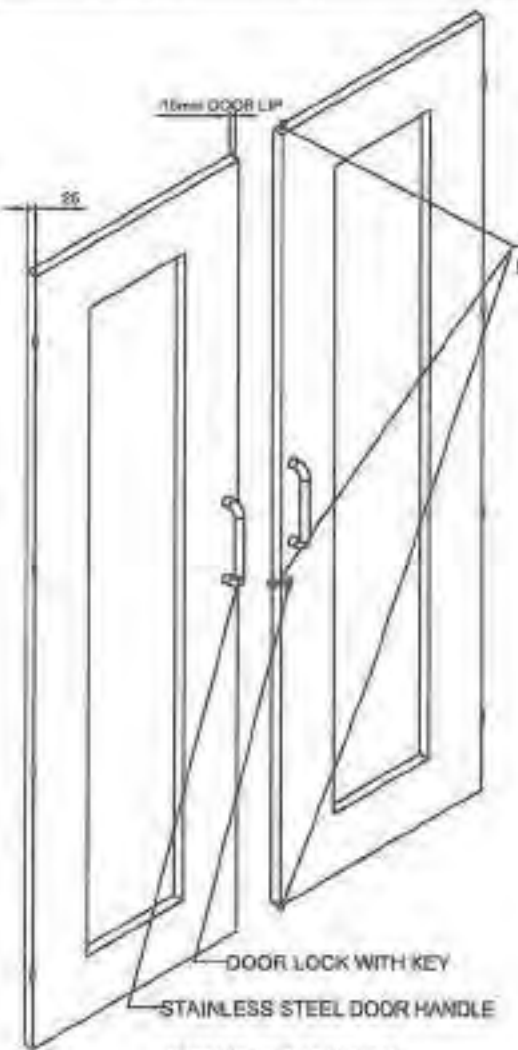
**GENERAL NOTES:**  
 1. All dimensions are in millimeter unless otherwise specified.  
 2. Remove burrs and sharp edges.

Date	OCTOBER 2021	Scale	NYS	<b>TVL TOOLS AND EQUIPMENT</b>	
Conceptualized by					
Drawn by	R.C. Licandro			Sheet	04/17
Designed by	R.C. Licandro	C.C. - Checked by	J.N. Allos	Material	1MM THICK COLD-ROLLED STEEL SHEET
Recommended by	A.B. Ybafra			File name	CABINETDESIGN
Approved by	R.C. Licandro			 <b>DepED-BLR</b>	

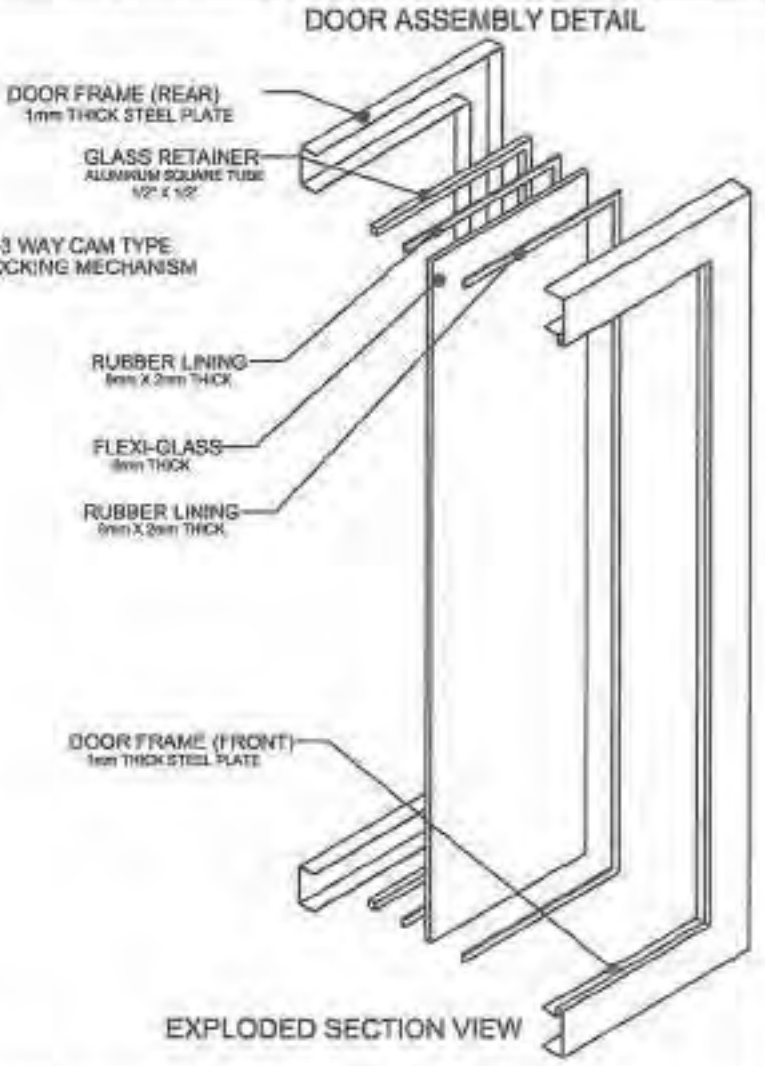




FRONT VIEW





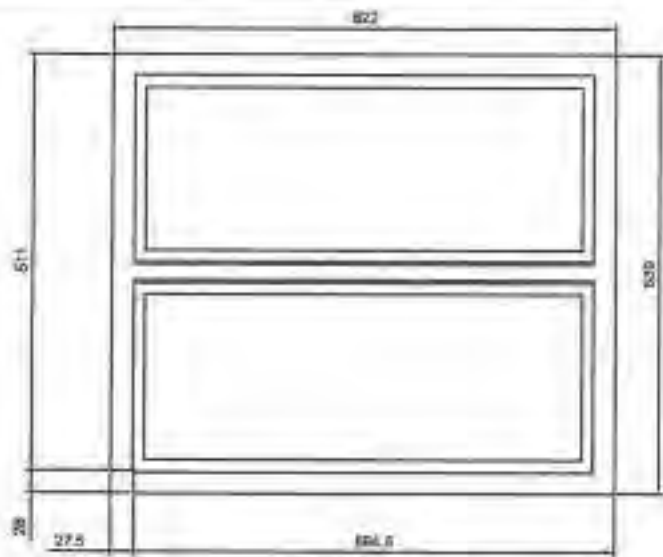
ISOMETRIC VIEW



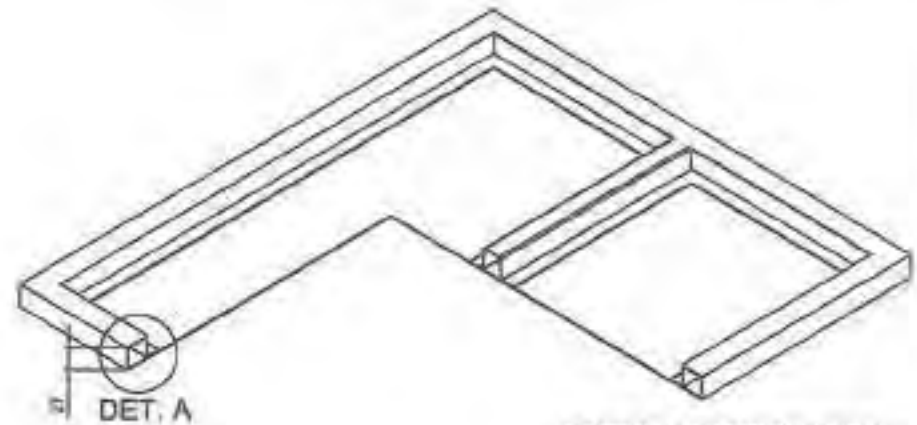
EXPLODED SECTION VIEW

**GENERAL NOTES:**  
 1. All dimensions are in millimeter unless otherwise specified.  
 2. Remove burrs and sharp edges.

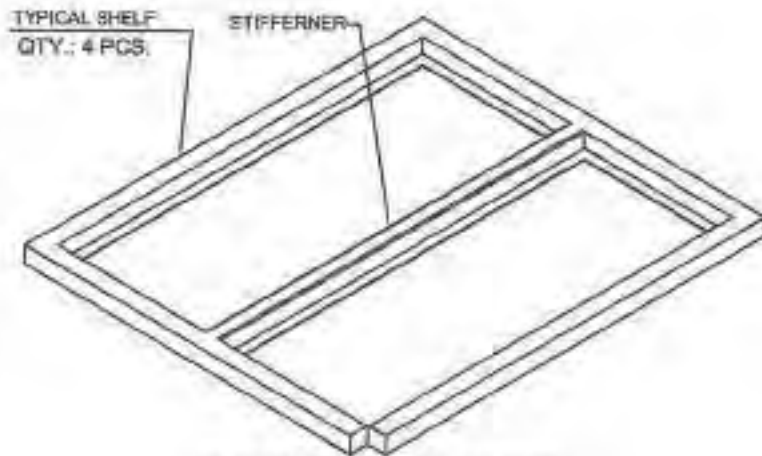
Date OCTOBER 2021		Scale HTS		TVL TOOLS AND EQUIPMENT	
Conceptualized by		Item Name DOOR DETAILS (CABINET #3)			
Drawn by S.C. Lozano		C/C Checked by J.N. Arilla		Material 1MM THICK COLD-ROLLED STEEL SHEET	
Designed by S.C. Lozano		Recommended by A.B. Yofre		File name CABINETDESIGN	
Approved by R.C. La Rosa				 <b>DepED-BLR</b>	



TOP VIEW



BOTTOM SECTION VIEW



BOTTOM ISOMETRIC VIEW


TYPICAL BENDING DETAIL

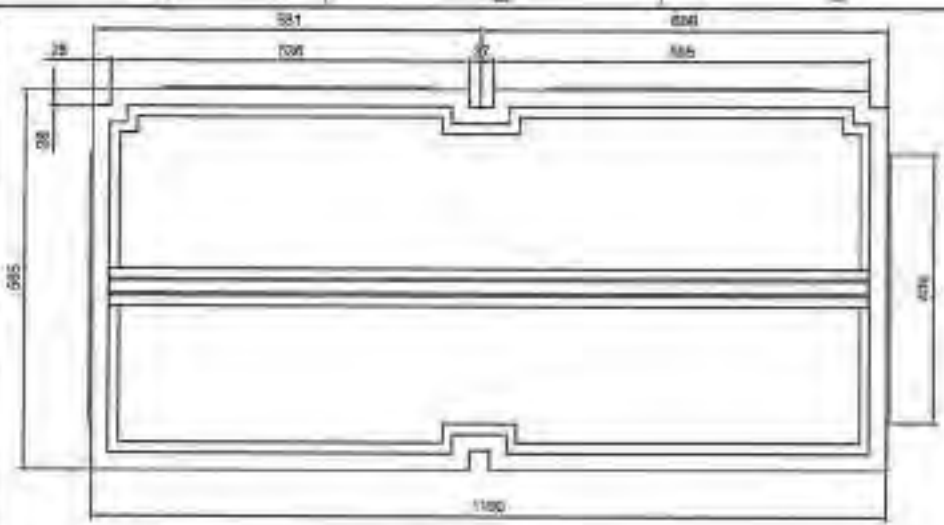


SECTION VIEW

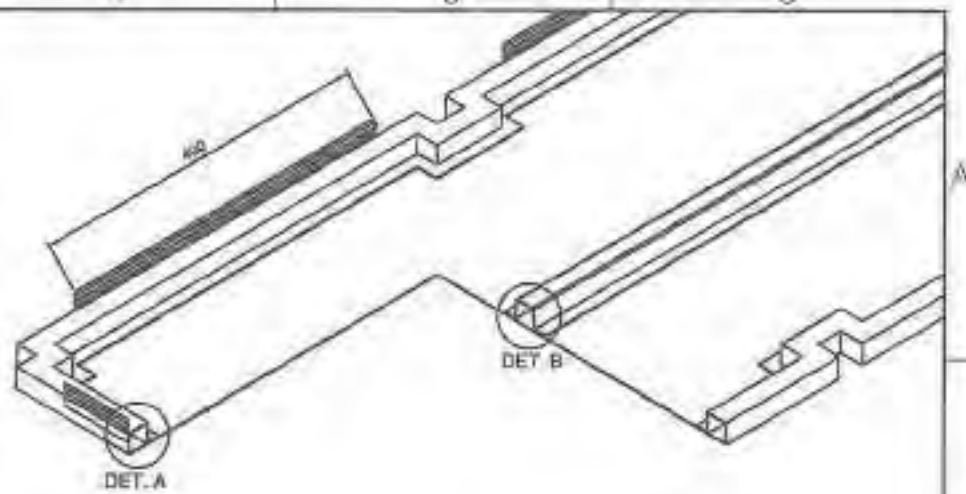
**GENERAL NOTES:**

1. All dimensions are in millimeter unless otherwise specified.
2. Remove burrs and sharp edges.

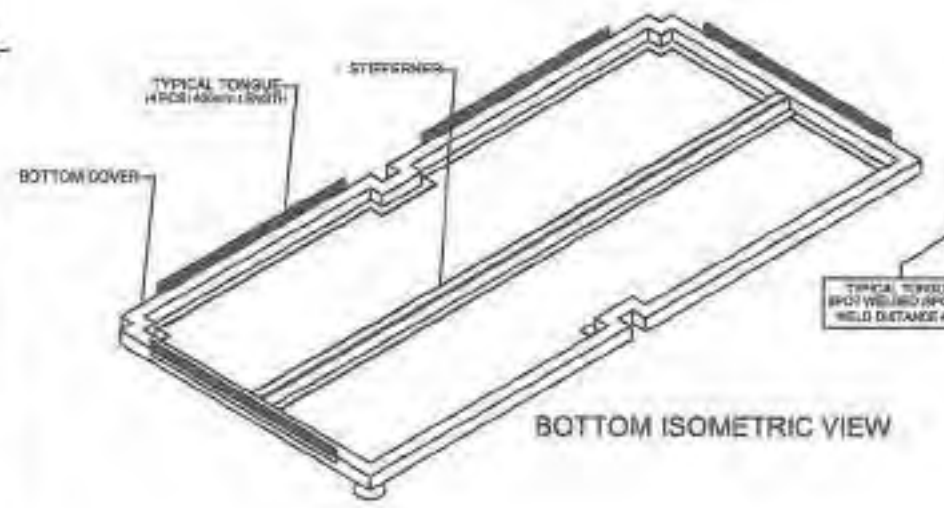
Date OCTOBER 2021	Scale NYS	<b>TVL TOOLS AND EQUIPMENT</b>	
Conceived by		Item Name <b>TYPICAL SHELF DETAILS (CABINET #3)</b>	Sheet 08/17
Drawn by B.C. Leonora	Q.C. Checked by J.N. [Signature]	Material THIN THICK COLD-ROLLED STEEL SHEET	File name CABINETDETAILS
Recommended by A.B. Yraola	Approved by R.C. La Rosa	 <b>DepED-BLR</b>	



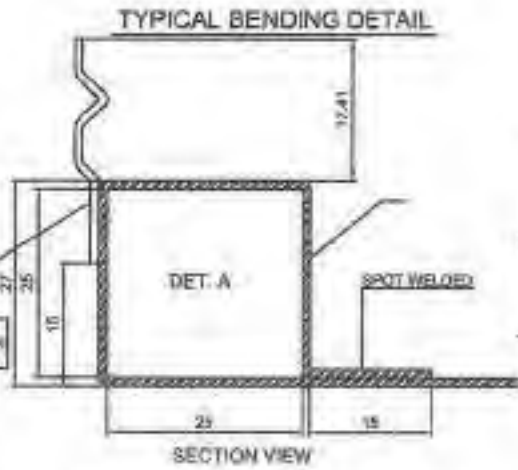
TOP VIEW



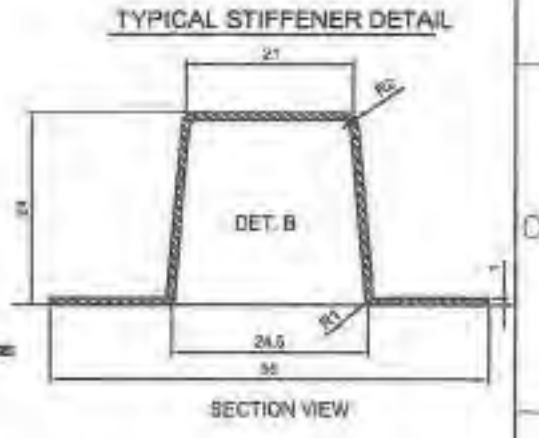
BOTTOM SECTION VIEW



BOTTOM ISOMETRIC VIEW



SECTION VIEW



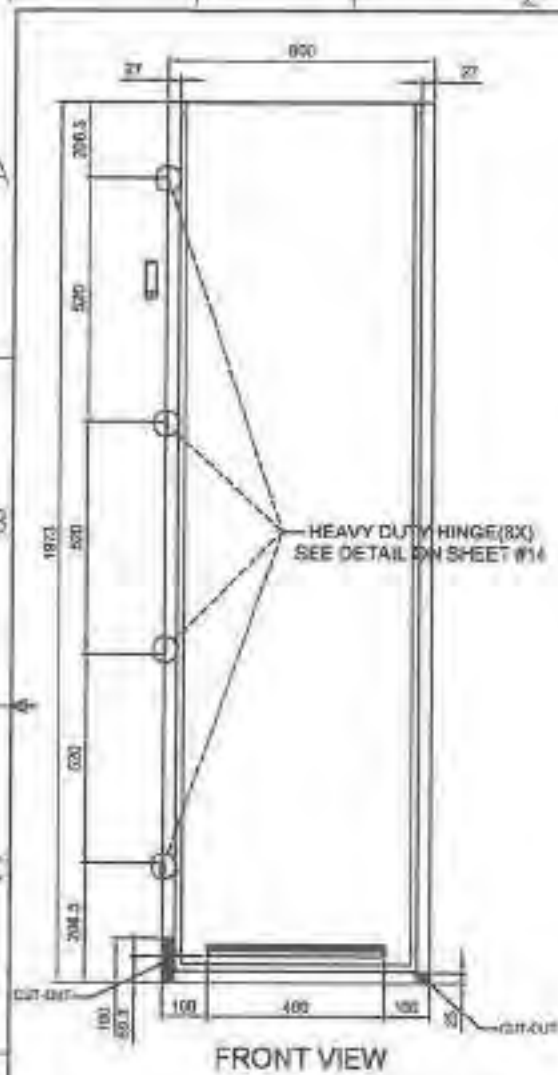
SECTION VIEW

**GENERAL NOTES:**

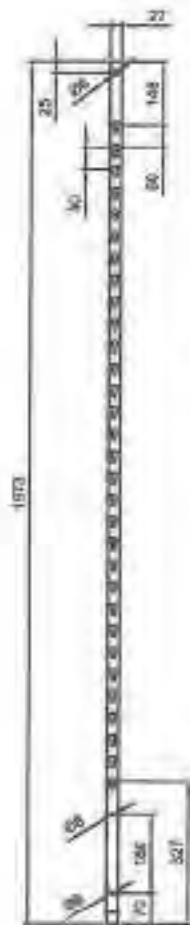
1. All dimensions are in millimeter unless otherwise specified.
2. Remove burrs and sharp edges.

Date OCTOBER 2021	Scale 1:1.5	<b>TVL TOOLS AND EQUIPMENT</b>	
Conceptualized by		Item Name <b>BOTTOM COVER DETAILS (CABINET # 3)</b>	Sheet 07/17
Drawn by B.C. Llorona	Q.C. Checked by J.N. Arilla	Material 1mm THICK COOL-BRIDGED STEEL SHEET	File name Cabinet3.dwg
Recommended by A.B. Ybarra	Approved by R.C. La Roca	 <b>DepED-BLR</b>	

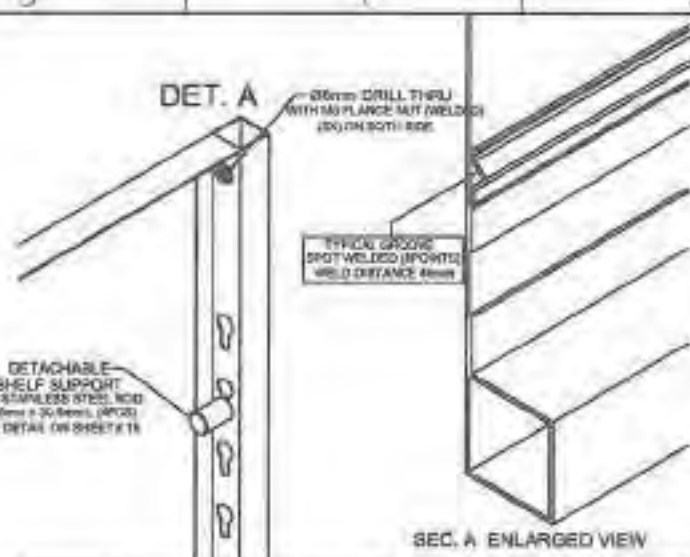




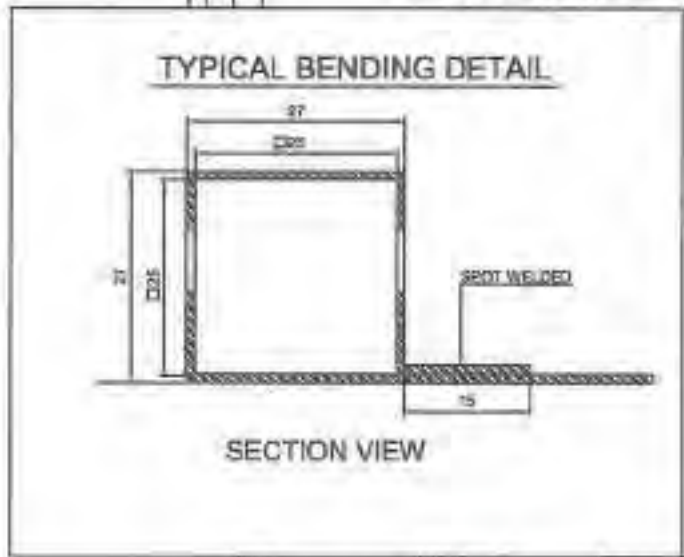
FRONT VIEW



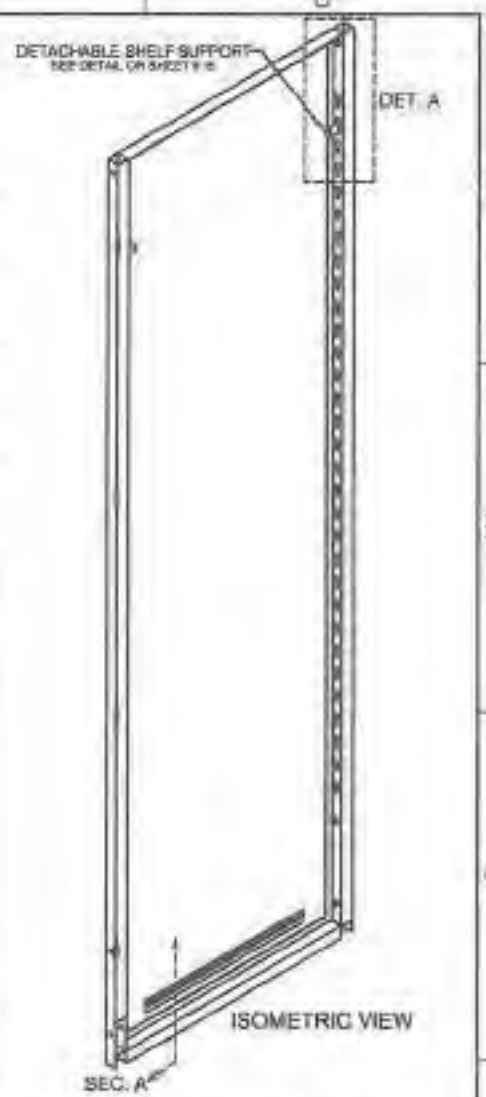
SIDE VIEW



SEC. A ENLARGED VIEW



SECTION VIEW

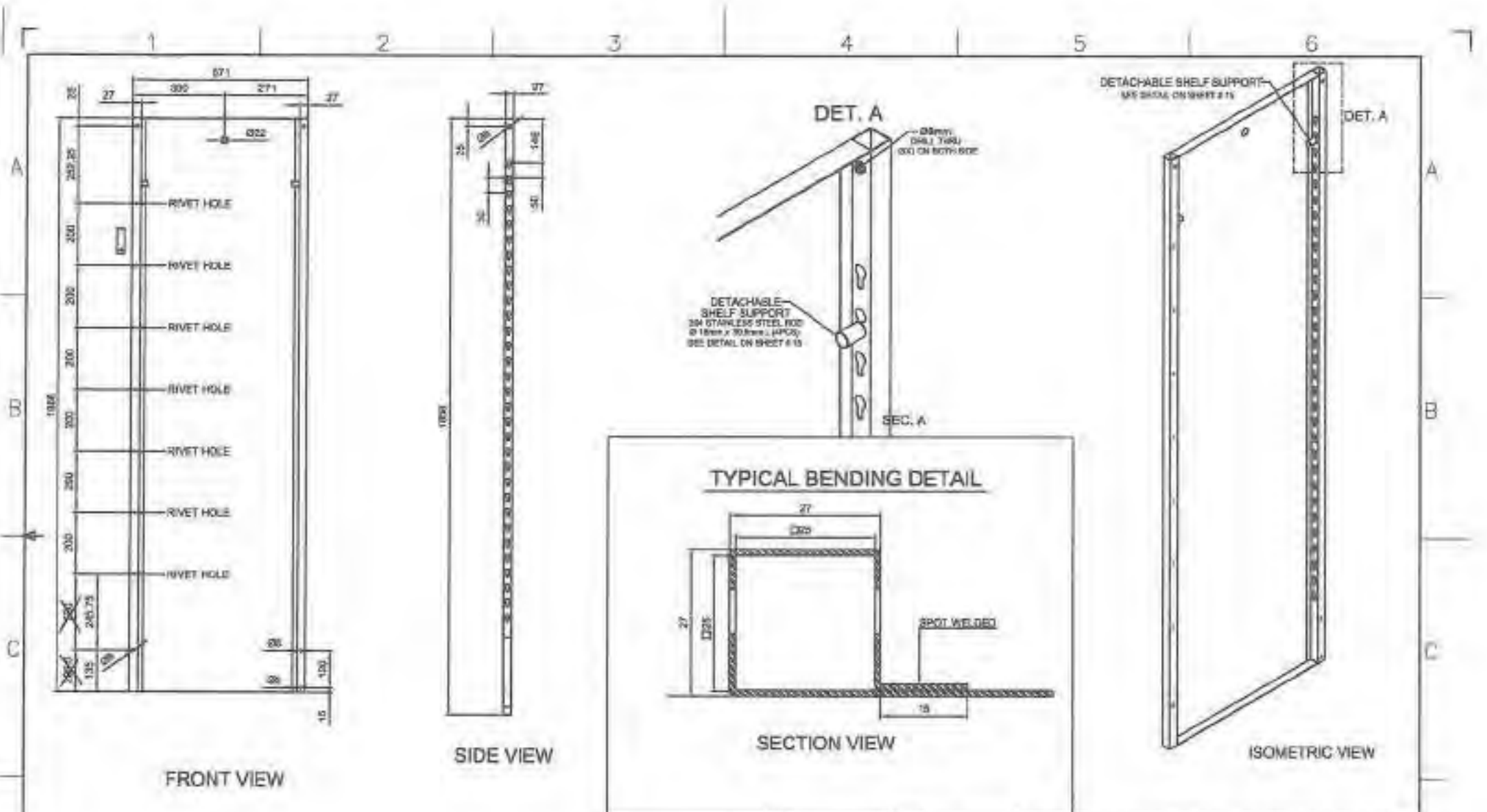


ISOMETRIC VIEW

**GENERAL NOTES:**

1. All dimensions are in millimeter unless otherwise specified.
2. Remove burrs and sharp edges.

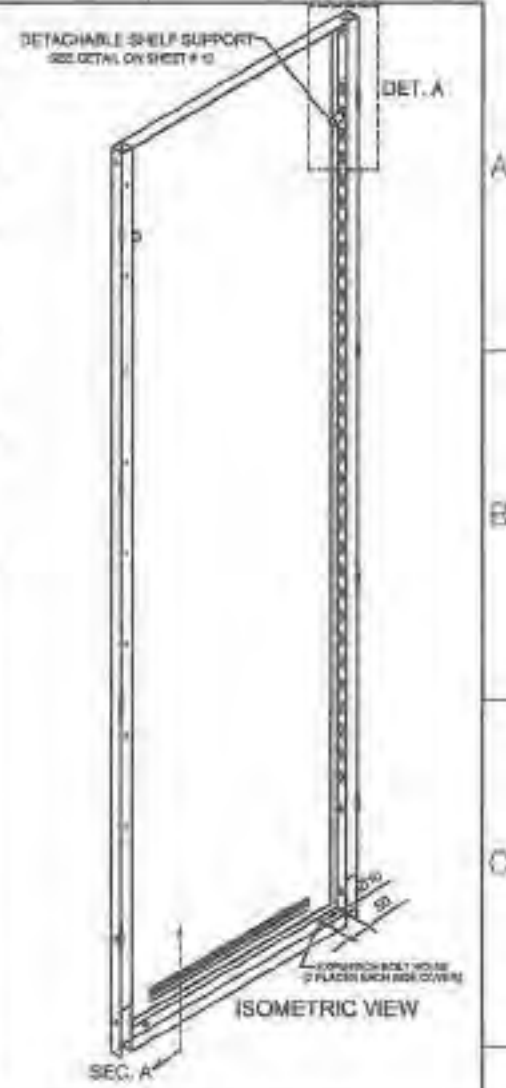
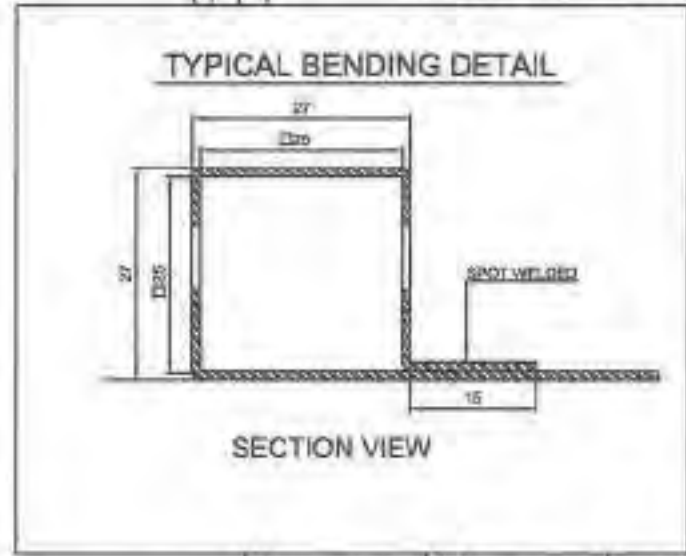
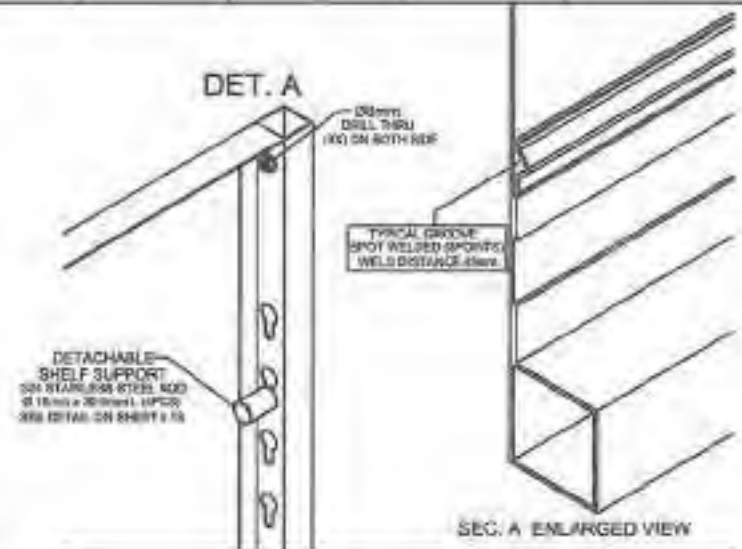
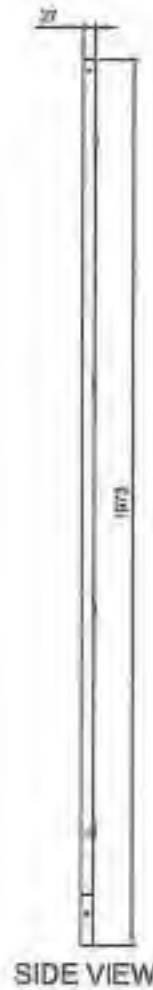
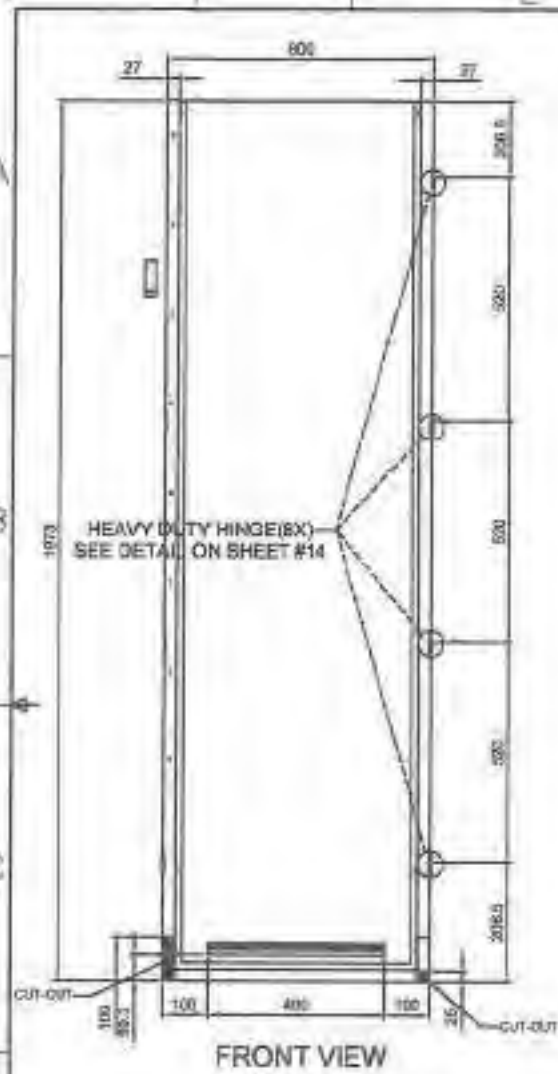
Date OCTOBER 2021	Scale 1:1.5	<b>TVL TOOLS AND EQUIPMENT</b>	
Conceptualized by		Item Name <b>SIDE COVER A DETAILS (CABINET #3)</b>	Sheet 09/17
Drawn by R.C. Usorog	D.C. checked by J.N. Aje	Material 1mm THICK COLD-ROLLED STEEL SHEET	File name CABINETDESIGN1
Designed by R.C. Usorog	Recommended by A.B. Yballe	 <b>DepED-BLR</b>	
Approved by R.C. Le Raga			



**GENERAL NOTES:**

1. All dimensions are in millimeter unless otherwise specified.
2. Remove burrs and sharp edges.

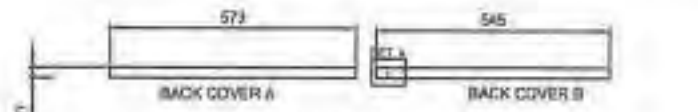
Date OCT/DECEMBER 2021	Scale NTS	<b>TVL TOOLS AND EQUIPMENT</b>	
Conceptualized by		Item Name <b>DIVIDER DETAILS (CABINET #3)</b>	Sheet 18/17
Drawn by B.C. Leoncio	R.C. Checked by J.M. Rojas	Material 1mm THICK COLD-ROLLED STEEL SHEET	File name CABINETDESIGN
Designed by B.C. Leoncio	Recommended by A.E. Ybaldez	 <b>DepED-BLR</b>	
Approved by R.C. Leoncio			



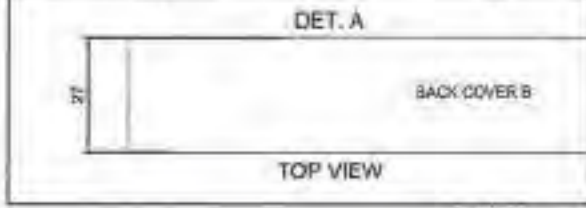
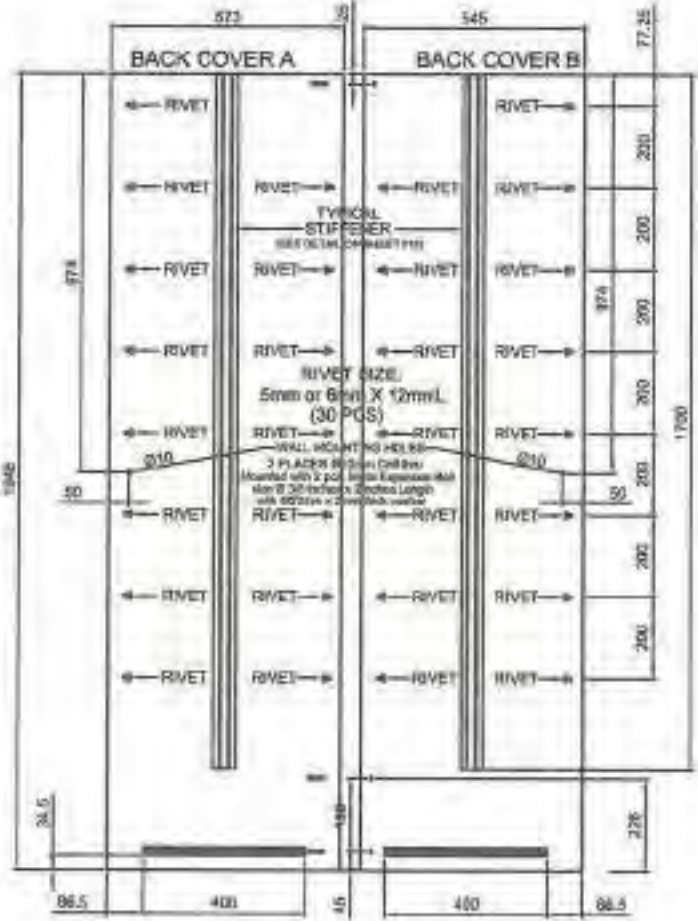
**GENERAL NOTES:**

- All dimensions are in millimeter unless otherwise specified.
- Remove burrs and sharp edges.

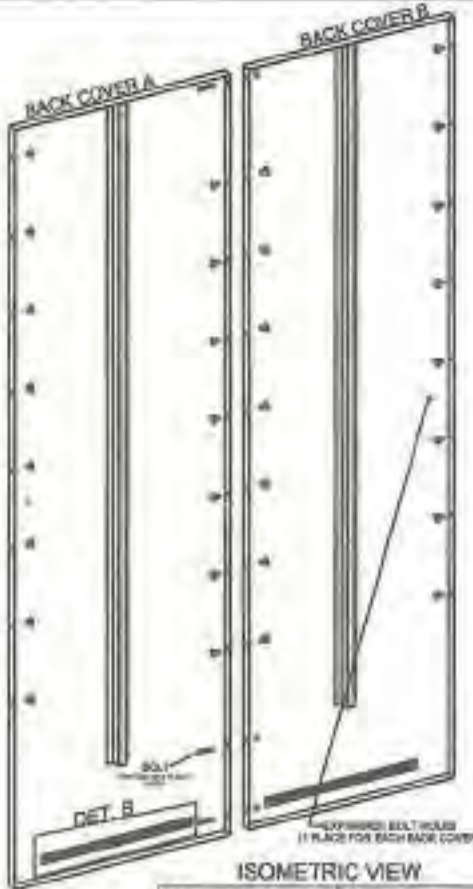
Date OCTOBER 2021	Scale NYS	<b>TVL TOOLS AND EQUIPMENT</b>	
Conceptualized by	Drawn by B.C. Licorda	Item Name SIDE COVER B DETAILS (CABINET # 3)	Sheet 11/17
Designed by B.C. Licorda	C.E. Checked by J.N. [Signature]	Material 1mm THICK COLD-ROLLED STEEL SHEET	File name CRIME (DEBRUN)
Recommended by A.G. [Signature]	Approved by R.C. La [Signature]	 <b>DepED-BLR</b>	



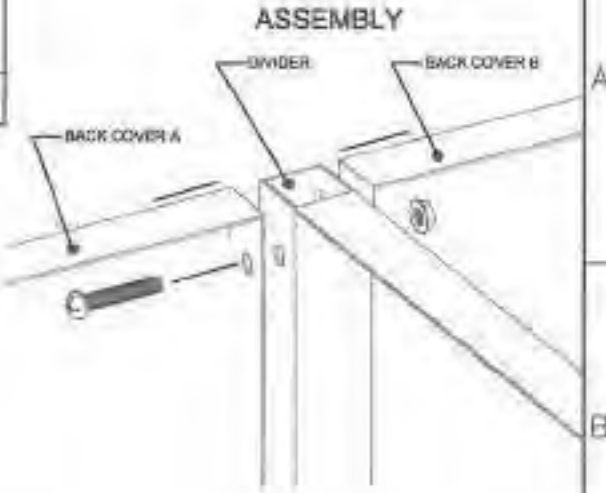
TOP VIEW



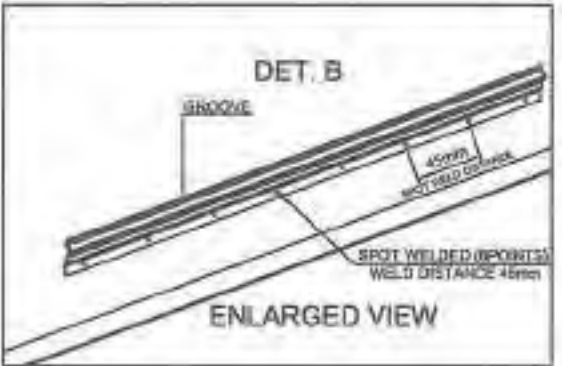
TOP VIEW



ISOMETRIC VIEW



ASSEMBLY

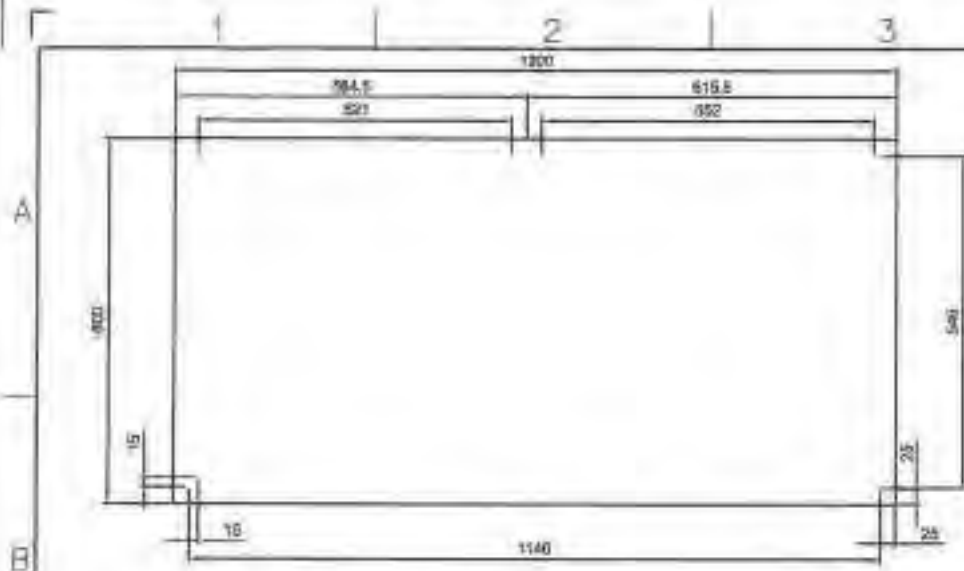


ENLARGED VIEW

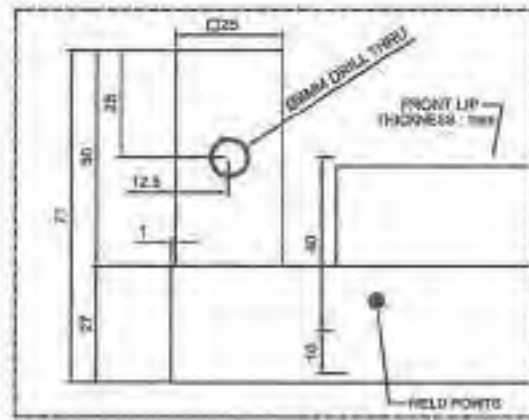
**GENERAL NOTES:**  
 1. All dimensions are in millimeter unless otherwise specified.  
 2. Remove burrs and sharp edges.

Date OCTOBER 2021	Scale N/A	<b>TVL TOOLS AND EQUIPMENT</b>	
Conceptualized by	Drawn by B.C. Usabina	Part Name BACK COVER A & B DETAILS (CABINET # 3)	Sheet 12/17
Designed by B.C. Usabina	QC-Checked by J.N. Briga	Material 1mm THICK COLD-ROLLED STEEL SHEET	File Name CABINETDETAILS
Recommended by A.B. Yusoff	Approved by R.G. La Rosa	 <b>DepED-BLR</b>	

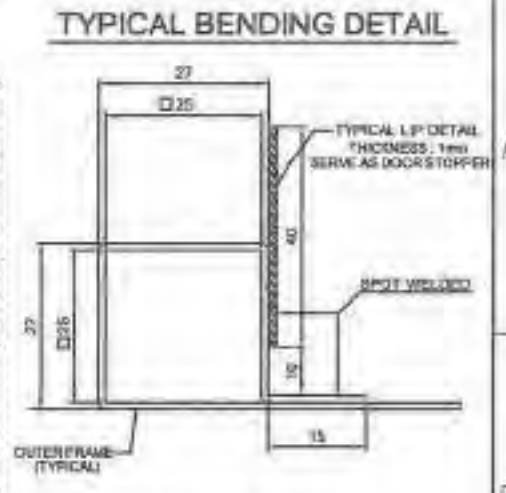




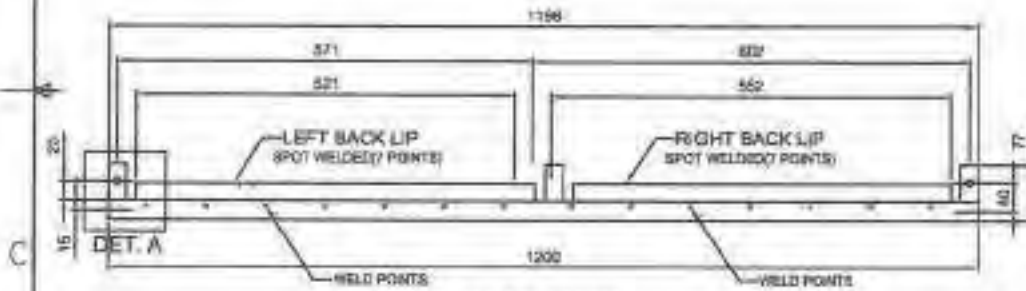
TOP VIEW



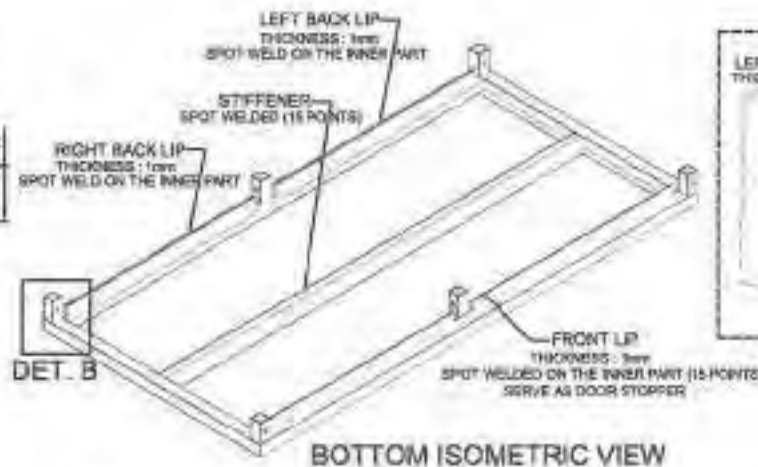
DET. A



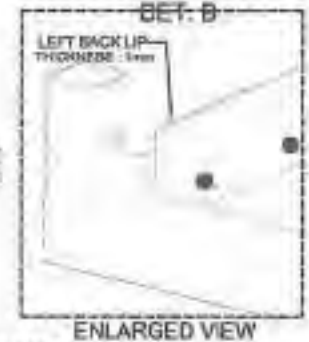
SECTION VIEW



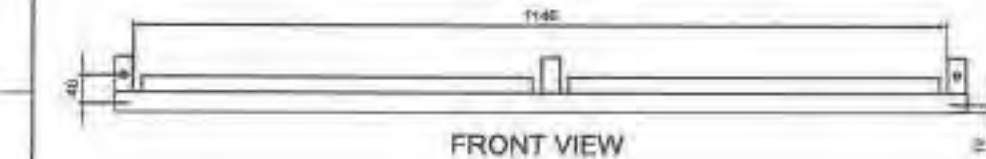
REAR VIEW



BOTTOM ISOMETRIC VIEW



ENLARGED VIEW



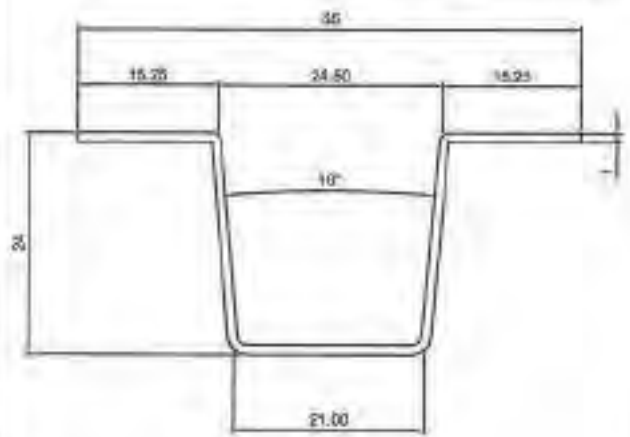
FRONT VIEW

**GENERAL NOTES:**

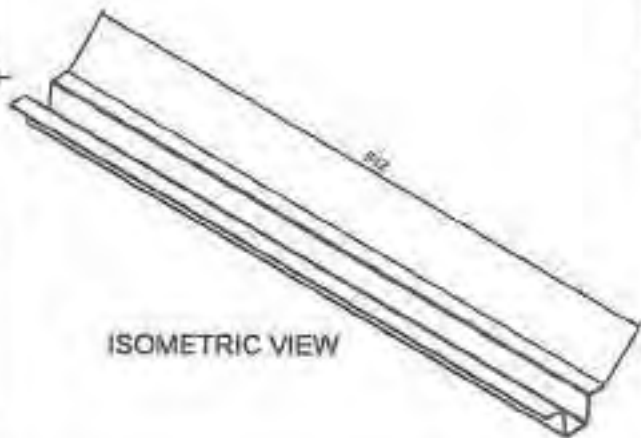
1. All dimensions are in millimeter unless otherwise specified.
2. Remove burrs and sharp edges.

Date OCTOBER 2021	Scale N/T/S	<b>TVL TOOLS AND EQUIPMENT</b>	
Conceptualized by	Drawn by B.C. Lionelo	Item Name TOP COVER DETAILS (CABINET # 3)	Sheet 13/17
Designed by B.C. Lionelo	O.C. Checked by J.N. Raja	Material 1mm THICK COLD-ROLLED STEEL SHEET	File name CABINET.DWG
Recommended by A.B. Ybalaz	Approved by B.C. La Rosa	 <b>DepED-BLR</b>	

**STIFFENER**

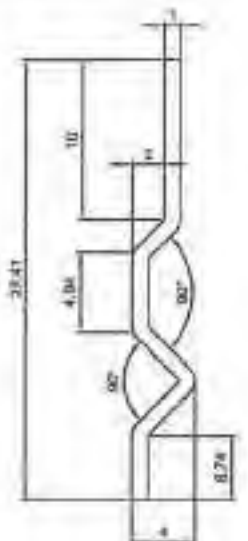


TOP VIEW

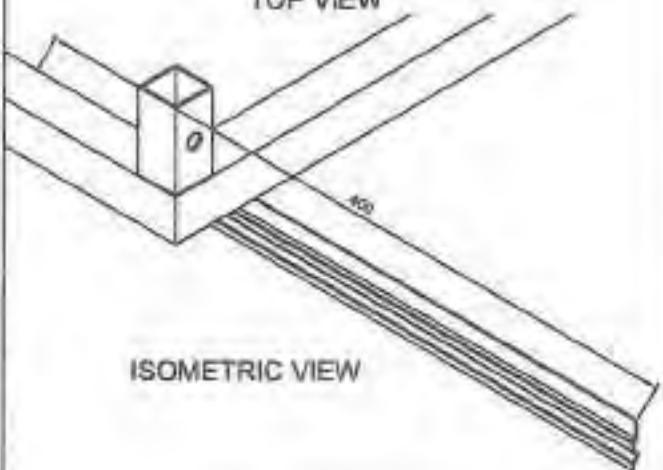


ISOMETRIC VIEW

**TONGUE**

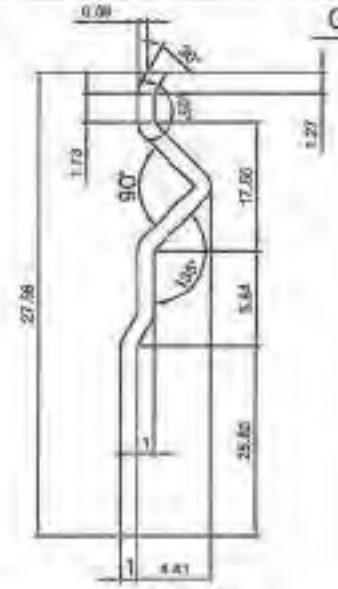


TOP VIEW

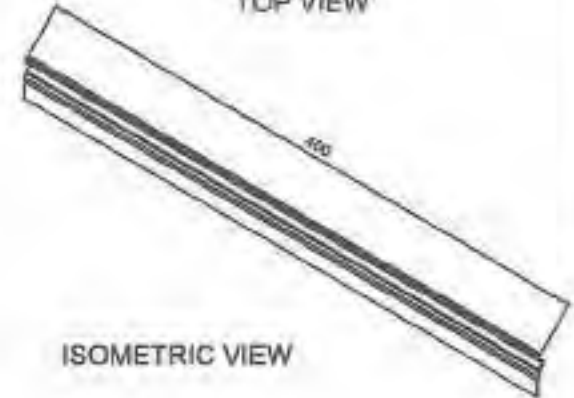


ISOMETRIC VIEW

**GROOVE**




TOP VIEW

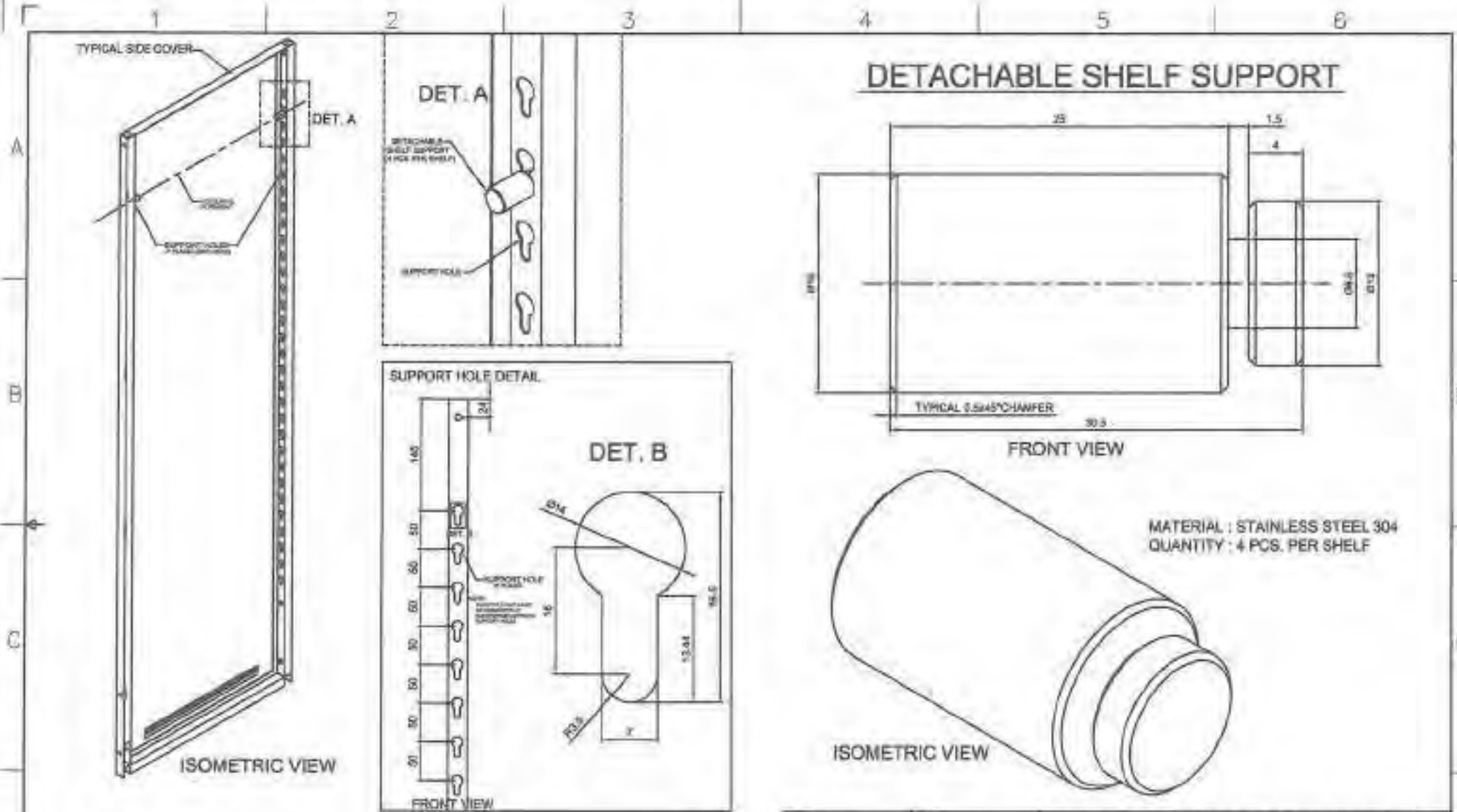


ISOMETRIC VIEW

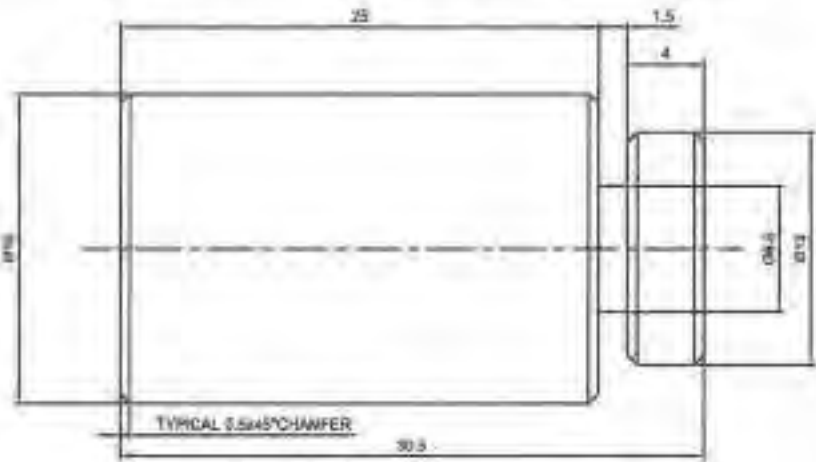
**GENERAL NOTES:**

1. All dimensions are in millimeter unless otherwise specified
2. Remove burrs and sharp edges.

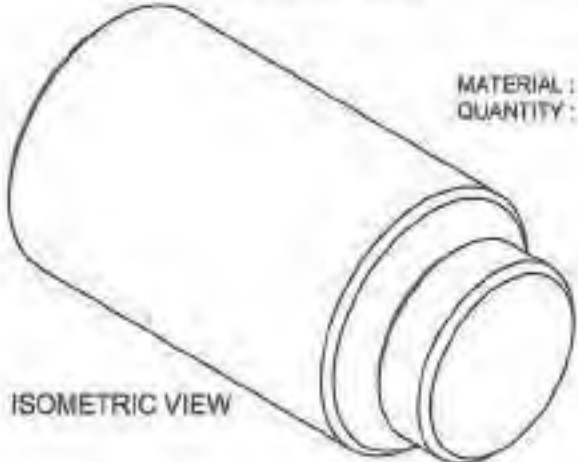
Date OCTOBER 2021	Scale NTS	<b>TVL TOOLS AND EQUIPMENT</b>	
Conceptualized by		Item Name TYPICAL LOCKING AND REINFORCEMENT DETAILS ( CABINET # 3 )	Sheet 14/17
Drawn by B.C. Usorin	Checked by D.C. Oshodi	Material 1mm THICK GOLD ROLLED STEEL SHEET	File name CABINETDESIGN3
Designed by B.C. Usorin	Recommended by A.B. Yballez	 <b>DepED-BLR</b>	
Approved by R.C. La Rosa			



**DETACHABLE SHELF SUPPORT**



**FRONT VIEW**



**MATERIAL : STAINLESS STEEL 304  
QUANTITY : 4 PCS. PER SHELF**

**ISOMETRIC VIEW**

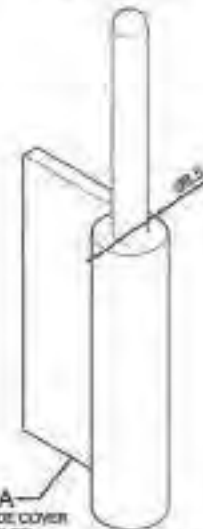
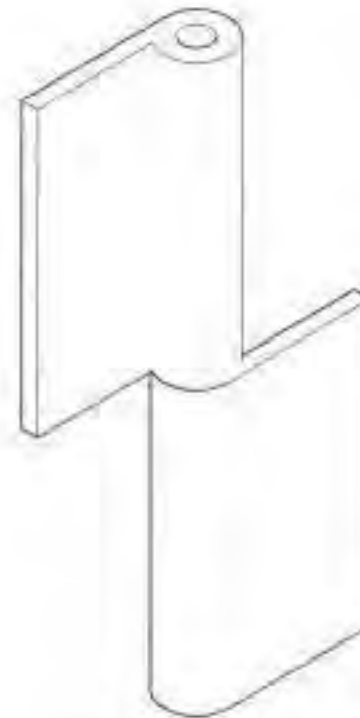
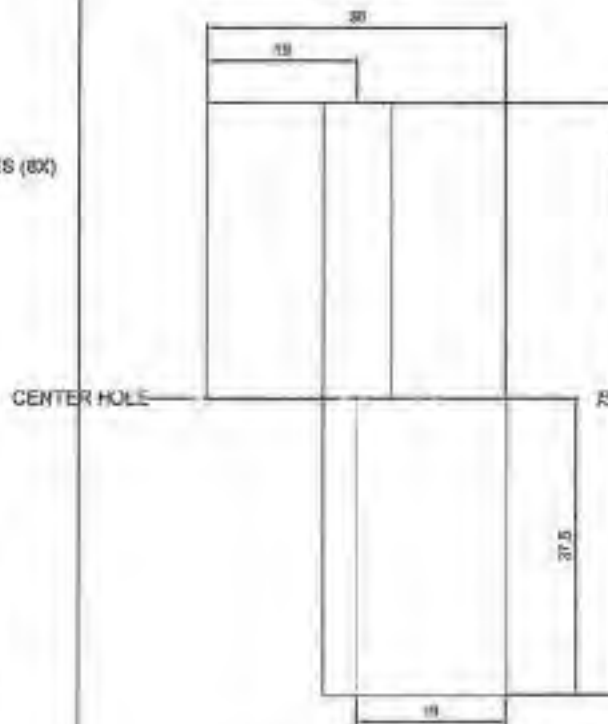
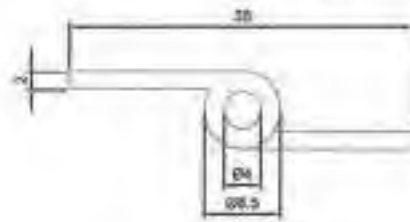
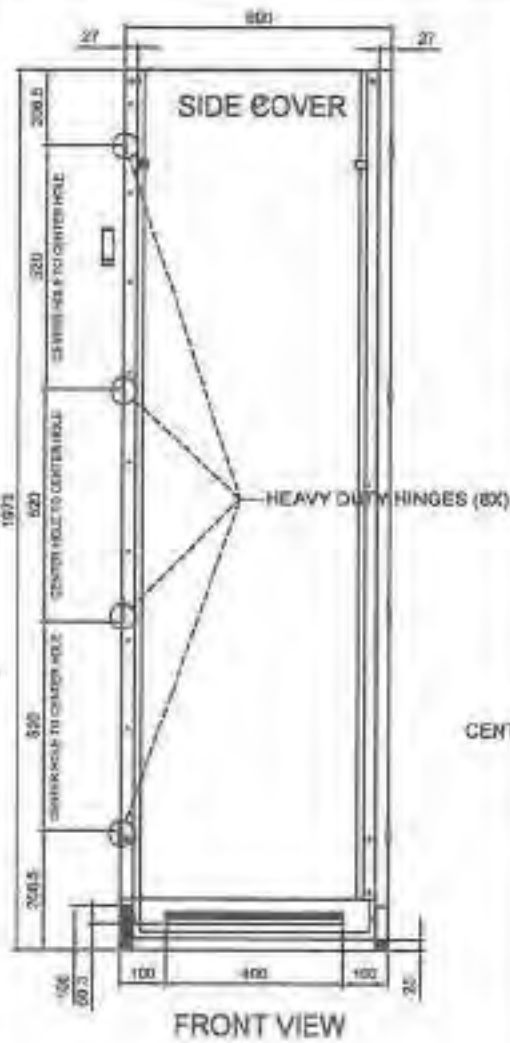
**GENERAL NOTES:**

- 1. All dimensions are in millimeter unless otherwise specified.
- 2. Remove burrs and sharp edges.

Date OCTOBER 2021	Scale NTS	<b>TVL TOOLS AND EQUIPMENT</b>	
Concepted by		Item Name DETACHABLE SHELF SUPPORT PIN ( CABINET # 3 )	Sheet 15/17
Drawn by B.C. Usordia		Material 1mm THICK GOLD-ROLLED STEEL SHEET	File name CABINETDESIGN
Designed by B.C. Usordia	Q.C. Checked by J.N. Anja	 <b>DepED-BLR</b>	
Recommended by A.B. Ydofez	Approved by R.C. La Rosa		

# HEAVY DUTY DETACHABLE HINGES DETAIL

MATERIAL : STAINLESS STEEL 304  
 QUANTITY : 4pcs. RIGHT & 4pcs. LEFT HINGE

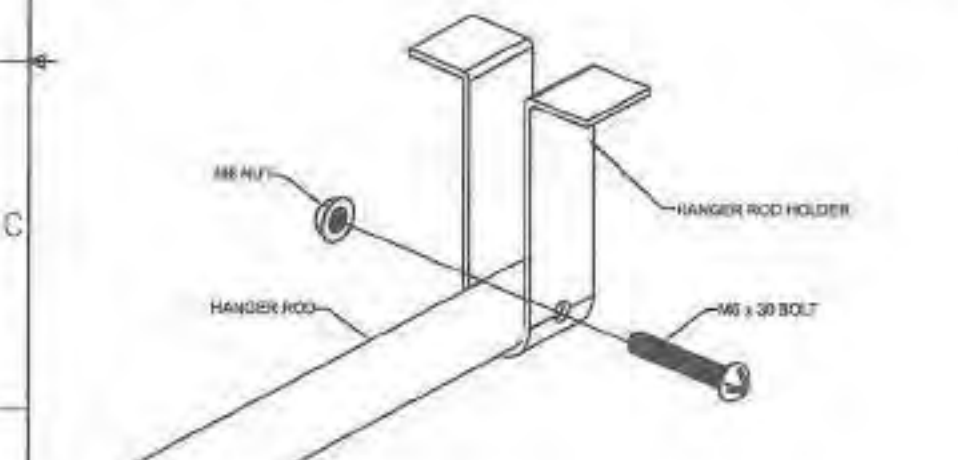
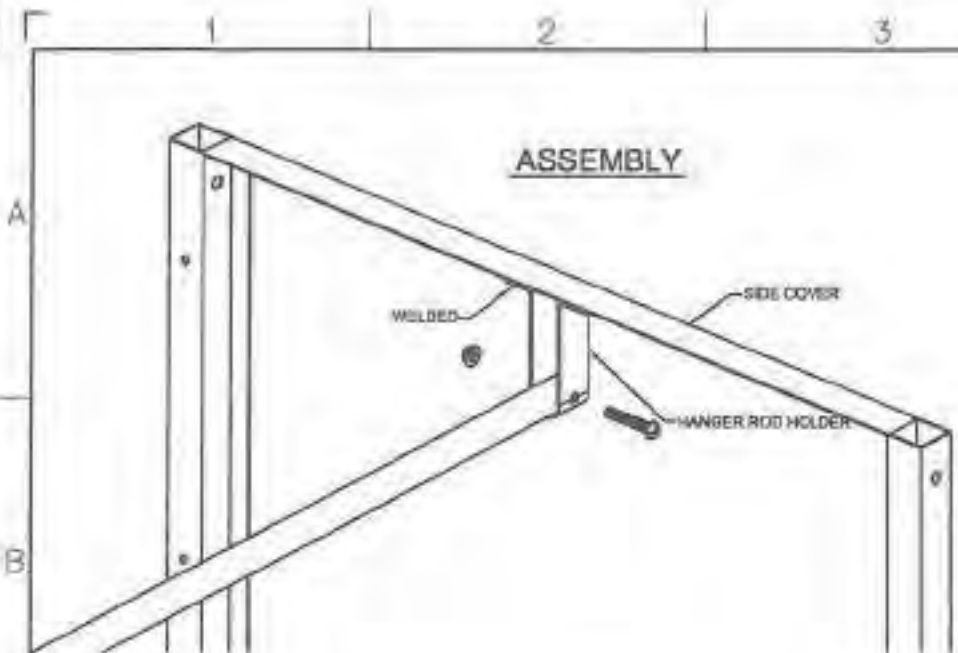


**EXPLODED VIEW**

**GENERAL NOTES:**

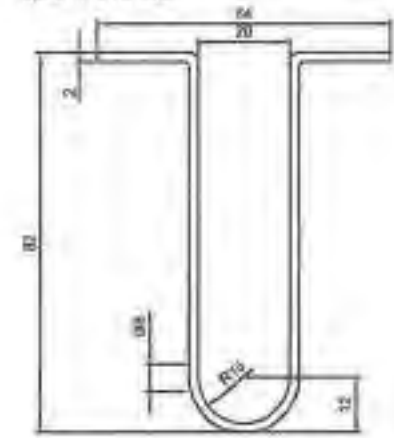
1. All dimensions are in millimeter unless otherwise specified.
2. Remove burrs and sharp edges.

Date OCTOBER 2021	Scale NTS	<b>TVL TOOLS AND EQUIPMENT</b>	
Conceptualized by		Item Name DETACHABLE HINGE DETAILS ( CABINET # 3 )	Sheet 15/17
Drawn by B.C. Leonora	G.C. Checked by J.N. Arjona	Material 1mm THICK COLD-ROLLED STEEL SHEET	
Designed by B.C. Leonora	Recommended by A.B. Ybarra	File name CABINETDESIGN	
Approved by R.C. La Rosa	 <b>DepED-BLR</b>		



**HANGER ROD HOLDER**

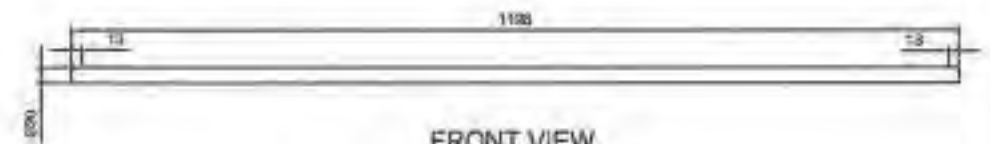
MATERIAL : CRS FLAT BAR (WELDED TO SIDE COVERS)  
 QUANTITY : 2 PCS



FRONT VIEW

**HANGER ROD**

MATERIAL : STAINLESS STEEL 304 TUBE  
 QUANTITY : 1 PC

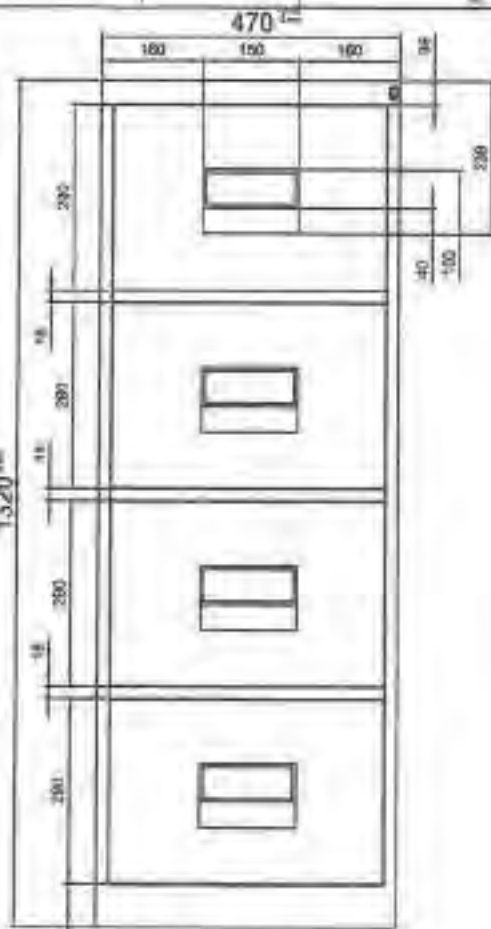


FRONT VIEW

**GENERAL NOTES:**

1. All dimensions are in millimeter unless otherwise specified.
2. Remove burrs and sharp edges.

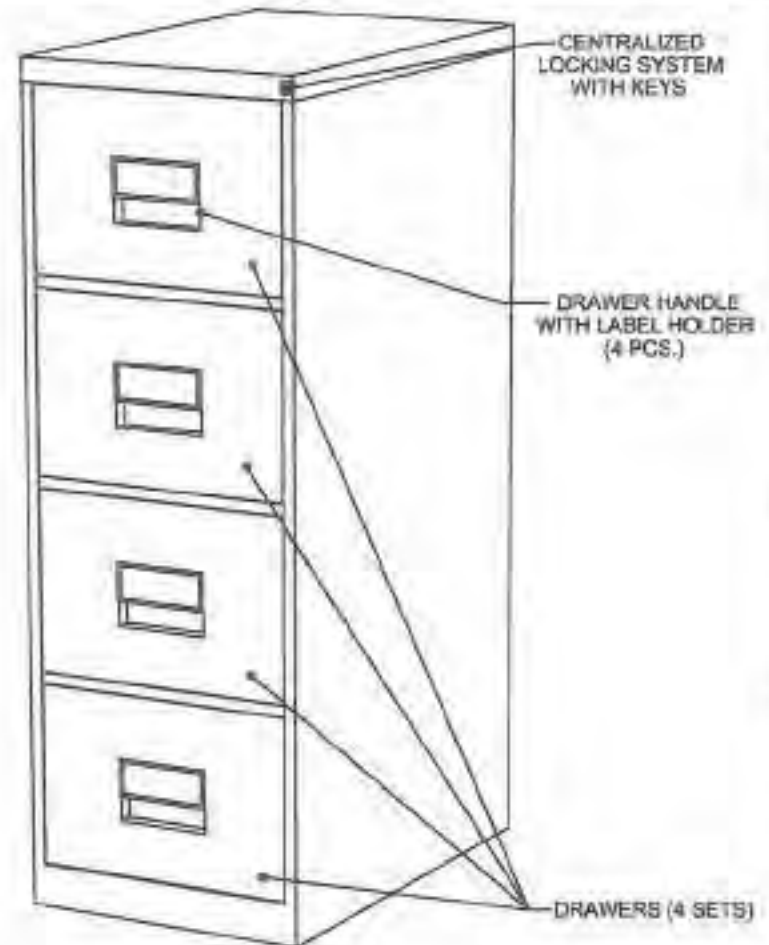
Date OCTOBER 2021	Scale NTS	<b>TVL TOOLS AND EQUIPMENT</b>	
Conceptualized by		Item Name <b>HANGER DETAILS (CABINET # 3)</b>	Sheet 17/17
Drawn by B.C. Usabina	Q.C. Checked by J.N. Lopez	Material 1mm THICK COLD-ROLLED STEEL SHEET	File name CABINET03.dwg
Recommended by A.S. Ysañez	Approved by R.C. La Cruz	 <b>DepED-BLR</b>	



FRONT VIEW



SIDE VIEW



ISOMETRIC VIEW

**Description :**

- Color : CYAN BLUE: C, M, Y, K (71,53,0,12)
- Material : 1.00mm Thick Cold-rolled Steel Sheet,
- Size : 1320mm x 480mm x 730mm
- Feature : Durable and Rigid

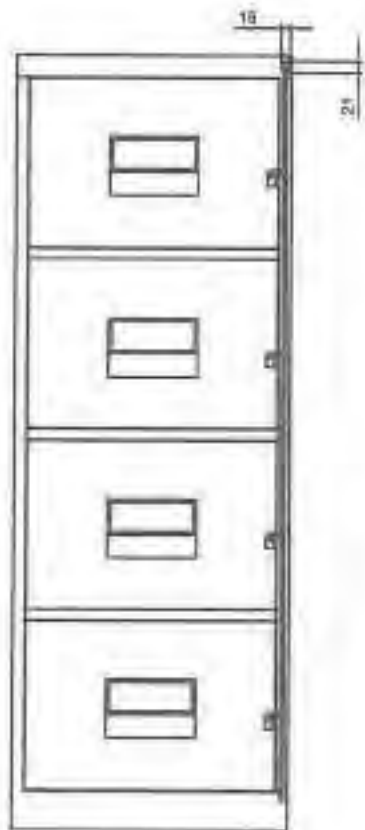
**About Cabinet :**

1. The cabinet is non-collapsible (Assembled Type).
2. It is made of bended and welded cold-rolled steel.
3. 1.00mm thickness steel sheet, then powder coat. (Welded surface must be hidden).
4. Has 4 layer drawer with label holder on each drawer above the handle.
5. The drawers shall operate smoothly, noise-free and easy for the push and pull operation.
6. Has 1 centralized locking system with keys.
7. The locking system shall lock and unlock smoothly.

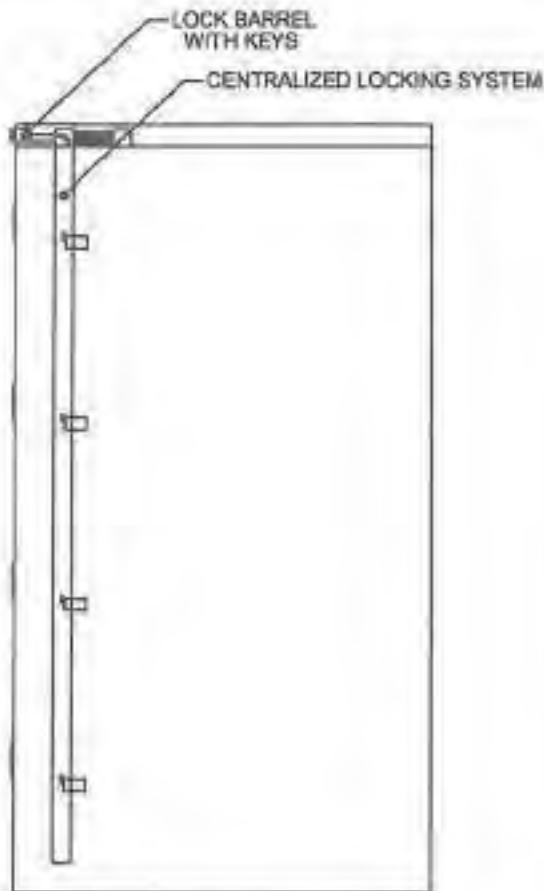
**GENERAL NOTES:**

1. All dimensions are in millimeter unless otherwise specified.
2. Remove burrs and sharp edges.

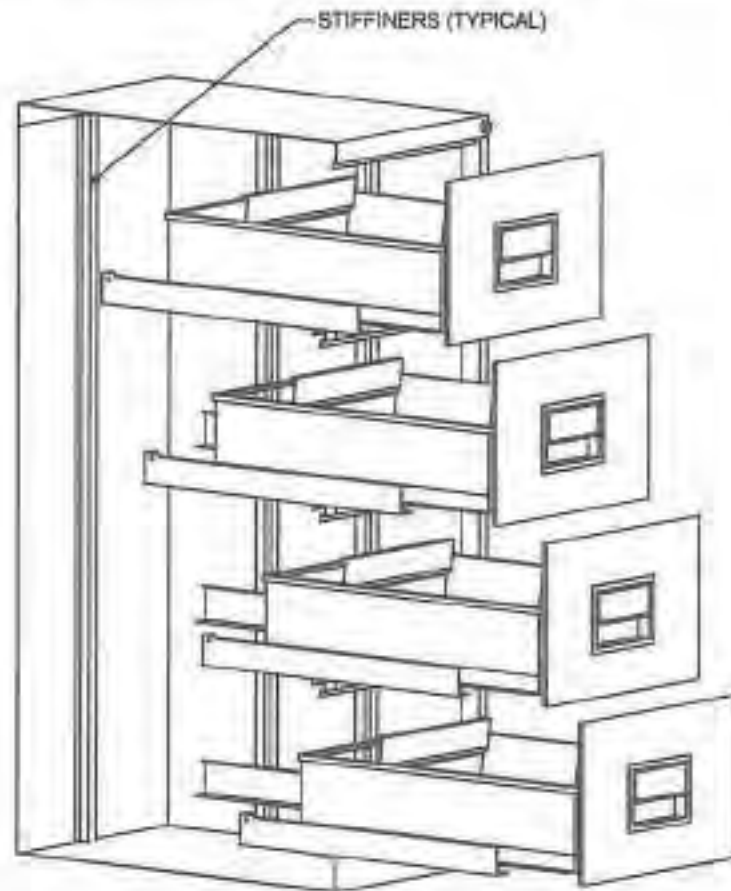
Date OCTOBER 2021	Scale NTS	<b>TVL TOOLS AND EQUIPMENT</b>	
Conceptualized by		Item Name <b>NON-COLLAPSIBLE FILING CABINET (CABINET # 4)</b>	Sheet 01/01
Drawn by B.C. Leonora	D.C. Checked by J.N. Villegas	Material COLD ROLLED STEEL PLATE	File name CABINETDESIGNA
Recommended by A.B. Yohan	Approved by R.C. Le Rios	 <b>DepED-BLR</b>	



FRONT VIEW



SIDE VIEW



ISOMETRIC VIEW

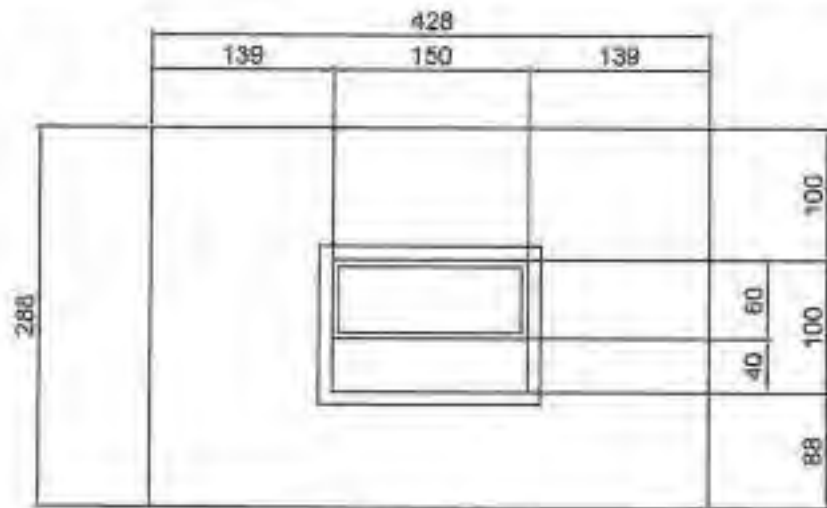
**CENTRALIZED LOCKING SYSTEM :**

1. Has 1 centralized locking system with keys.
2. The locking system shall lock and unlock smoothly.
3. The locking system shall lock and unlock the 4 drawers simultaneously.
4. Push lock barrel to lock all drawers the use the key to unlock.
5. The locking system should be strong and will not easily break.

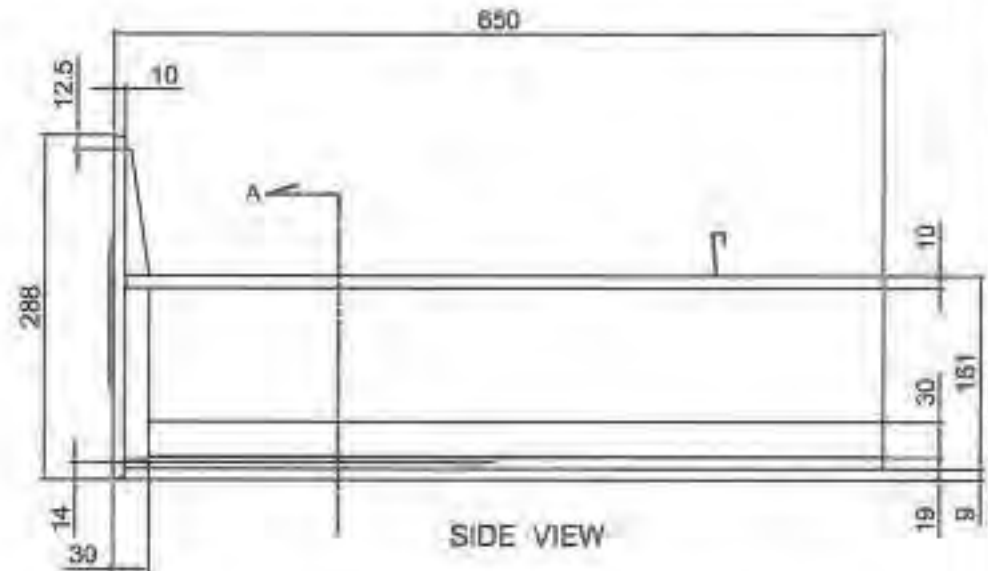
**GENERAL NOTES:**

1. All dimensions are in millimeter unless otherwise specified.
2. Remove burrs and sharp edges.

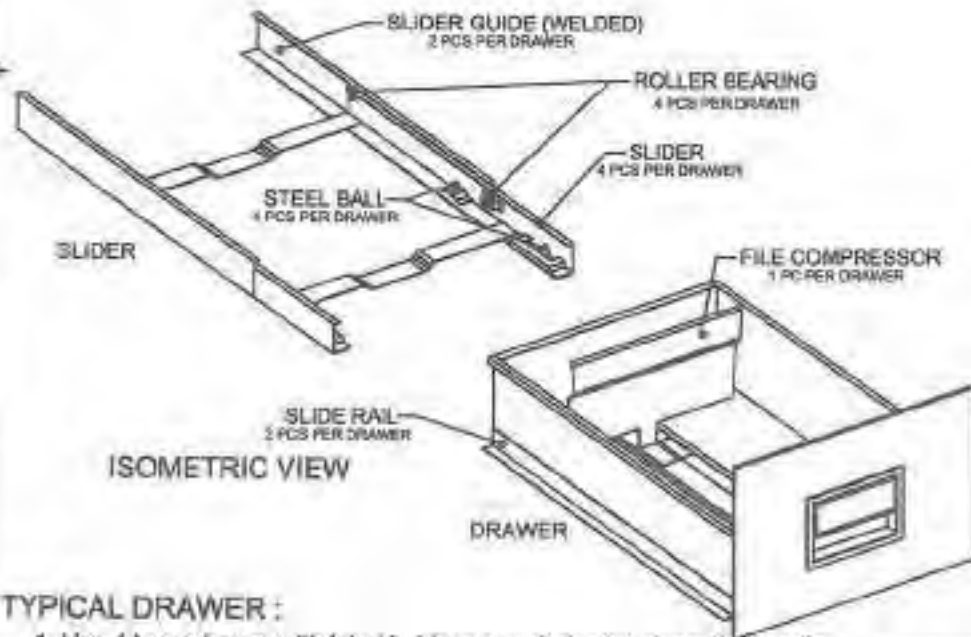
Date OCTOBER 2021	Scale NTS	<b>TVL TOOLS AND EQUIPMENT</b>	
Conceptualized by		Item Name NON-COLLAPSIBLE FILING CABINET ( CABINET # 4 )	Sheet 02/04
Drawn by R.C. Usondo	D.C. Checked by J.N. Arkipa	Material COLD-ROLLED STEEL PLATE	File name CABINET04.DWG
Recommended by A.B. Yhafer	Approved by R.C. Le Ruer	 <b>DepED-BLR</b>	



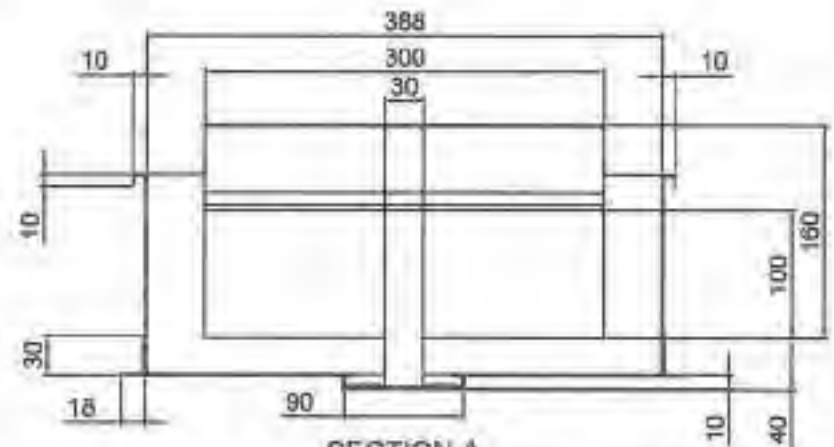
FRONT VIEW



SIDE VIEW



ISOMETRIC VIEW



SECTION A

**TYPICAL DRAWER :**

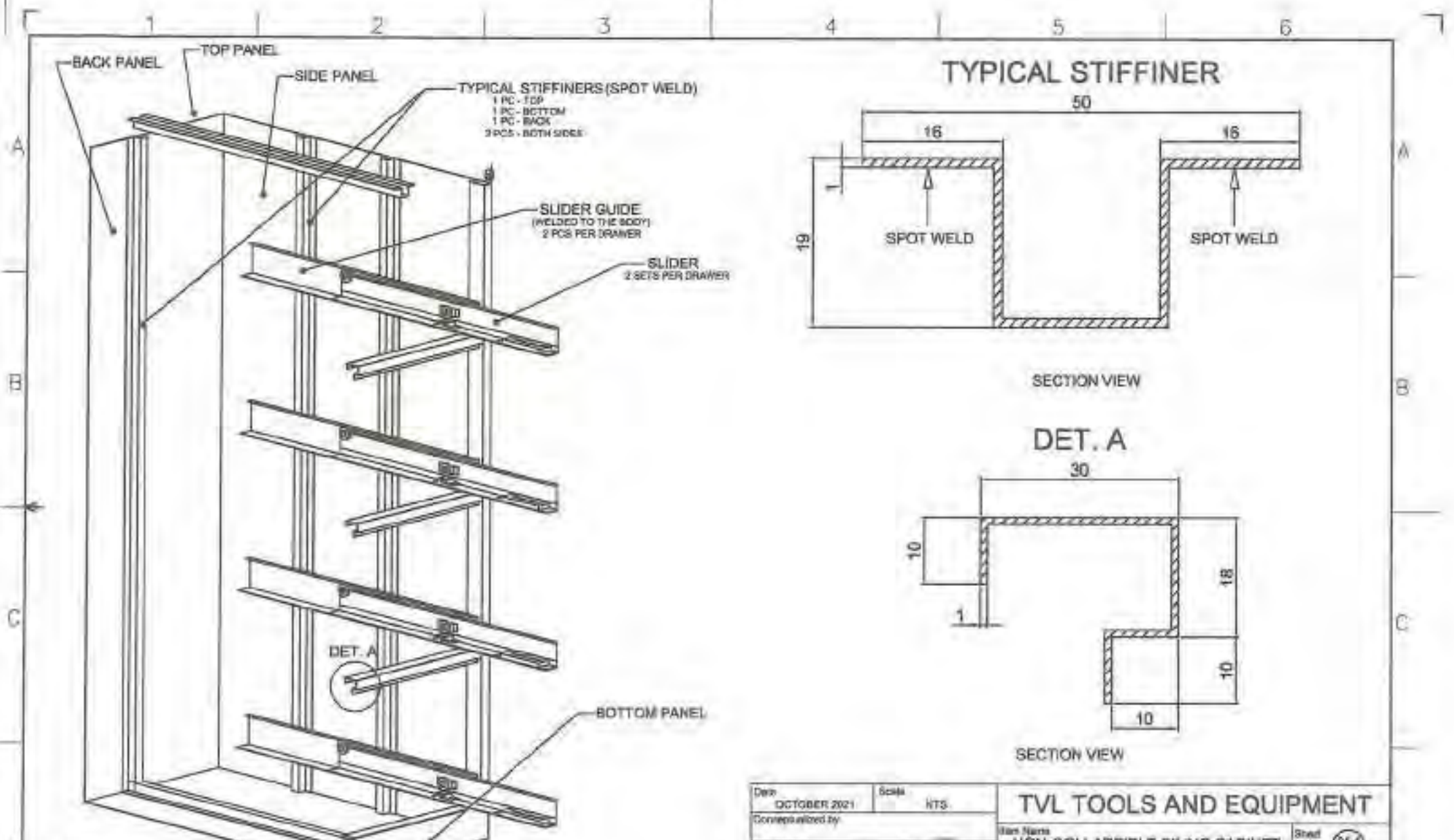
1. Has 4 layer drawer with label holder on each drawer above the handle.
2. The drawers shall operate smoothly, noise-free and easy for the push and pull operation.

**GENERAL NOTES:**

1. All dimensions are in millimeter unless otherwise specified.
2. Remove burrs and sharp edges.

Date OCTOBER 2021	Scale N/A	<b>TVL TOOLS AND EQUIPMENT</b>	
Conceptualized by		Item Name <b>NON-COLLAPSIBLE FILING CABINET ( CABINET # 4 )</b>	Sheet 13/04
Drawn by S.C. Lakshmi	G.C. Checked by J.N. Prasad	Material COLD-ROLLED STEEL PLATE	File name CABINETDESIGN
Recommended by A.B. Yeluri	Approved by R.C. Lakshmi	 <b>DepED-BLR</b>	

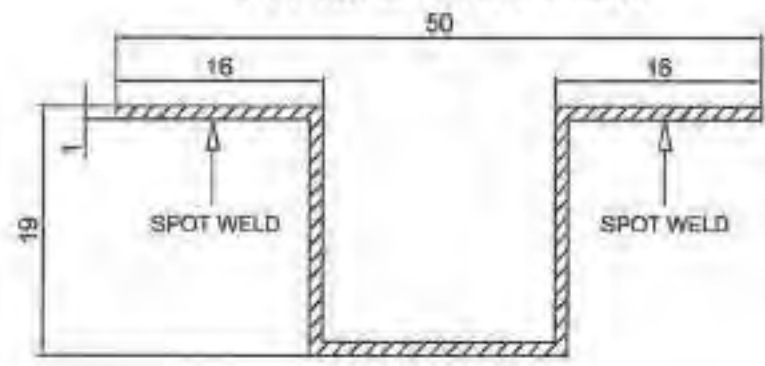




- STIFFENERS :**
1. 1.00mm thickness steel sheet, then powder coat.
  2. Quantity : 1 pc. at the back, bottom and top surface, 2 pcs. on both sides (see picture above)
  3. Spot weld distance is 100mm.

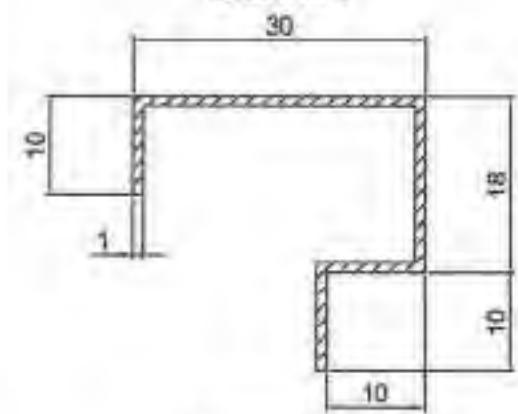
- GENERAL NOTES:**
1. All dimensions are in millimeter unless otherwise specified.
  2. Remove burrs and sharp edges.

**TYPICAL STIFFENER**




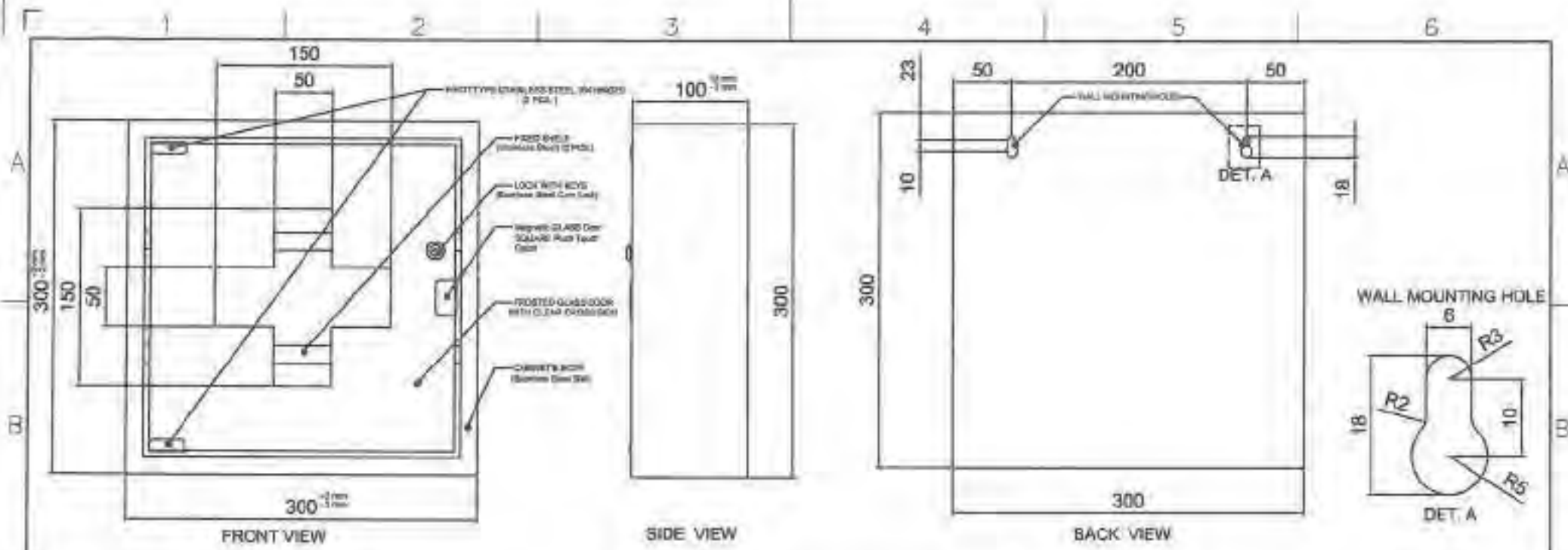
SECTION VIEW

**DET. A**



SECTION VIEW

Date OCTOBER 2021	Scale 1/15	<b>TVL TOOLS AND EQUIPMENT</b>	
Conceptualized by		Item Name <b>NON-COLLAPSIBLE FILING CABINET ( CABINET # 4 )</b>	Sheet 04 / 04
Drawn by B.C. Lisonko		Material COLD-ROLLED STEEL PLATE	File name CABINET04.DWG
Designed by B.C. Lisonko	D.C. Checked by J.N. Alegre	 <b>DepED-BLR</b>	
Recommended by A.B. Yusarez	Approved by R.C. La Rosa		



**Description :**

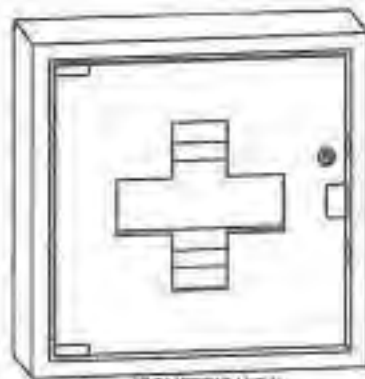
- Finish : Polished
- Material : 1.00mm Thick Stainless Steel 304 Sheet
- Size : 300mm x 300mm x 100mm
- Feature : Durable and Rigid

**About Cabinet :**

1. The cabinet body's material is 1.00mm thickness stainless steel 304 sheet then polished.
2. The cabinet is wall mounted.  
(includes 2pcs. 5mm diameter screws for mounting).
3. There are 2 fixed shelves.(Stainless Steel 304)
4. 1 set lock with keys.(Stainless steel cam lock)
5. With hinge.(Pivot Type Press-Fit Glass Door Hinge 2 pcs.)
6. With magnetic glass door SQUARE Push Touch Catch
7. 6mm thick frosted glass door with clear cross sign at the center.
8. Assembled type cabinet.

**GENERAL NOTES:**

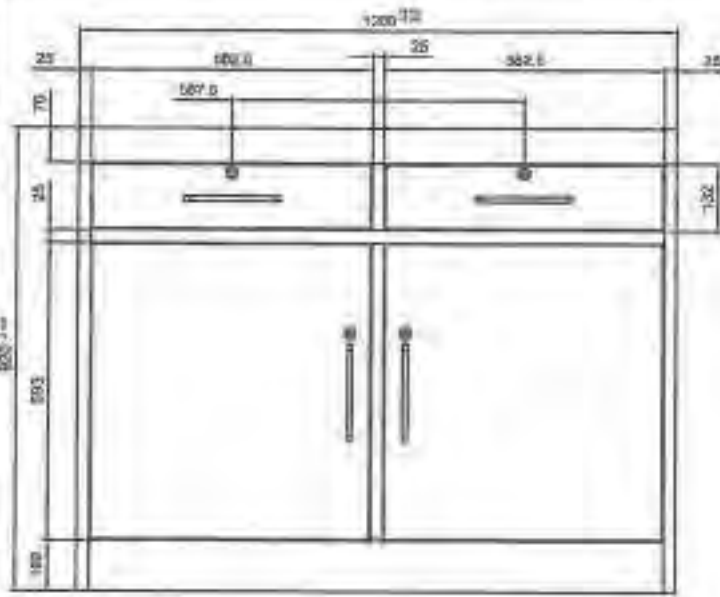
1. All dimensions are in millimeter unless otherwise specified.
2. Remove burrs and sharp edges.



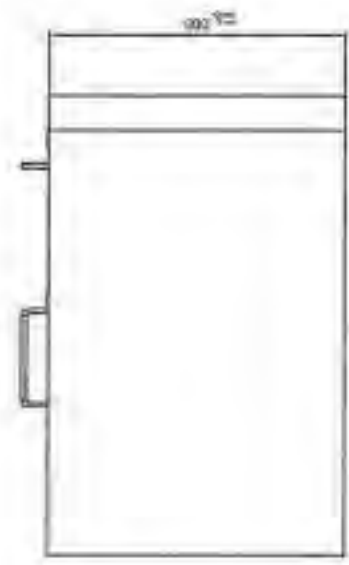
ISOMETRIC VIEW



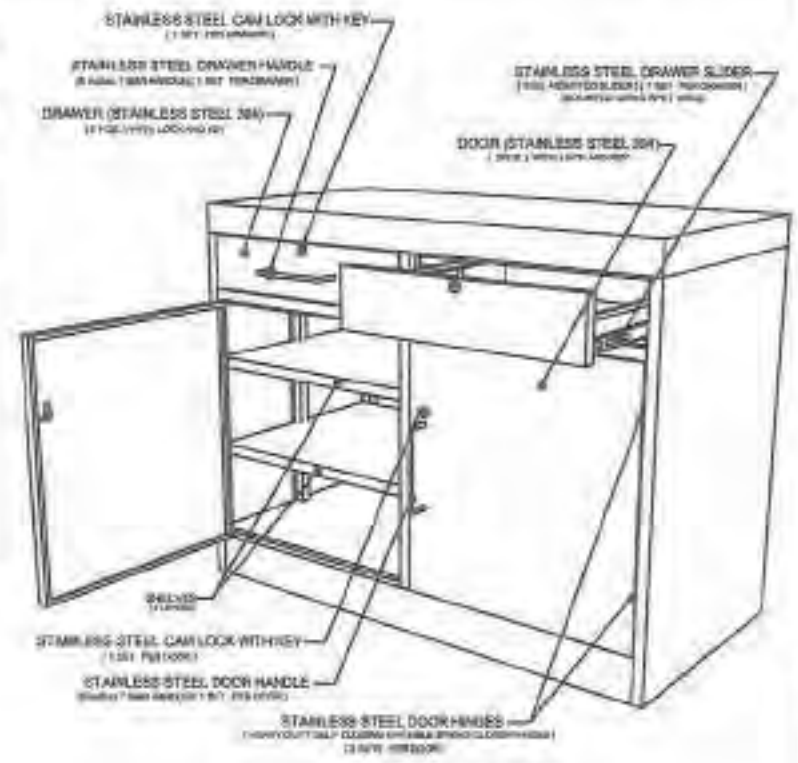
Date: OCT/DECEMBER 2021		Scale: NTS		<b>TVL TOOLS AND EQUIPMENT</b>	
Conceptualized by:		Item Name: NON-COLLAPSIBLE FIRST AID CABINET (CABINET # 5)			
Drawn by: S.D. Leander		Q.C. Checked by: J.N. [Signature]		Material: STAINLESS STEEL 304 SHEET	
Designed by: S.C. Leander		Recommended by: A.B. Yballez		File name: CABINET.DWG	
Approved by: A.C. Leander		[Signature]		 <b>DepED-BLR</b>	



FRONT VIEW



SIDE VIEW



ISOMETRIC VIEW

**Description :**


- Finish : Polished
- Material : 1.00mm Thick Stainless Steel 304 Sheet
- Size : 1,200mm x 920mm x 600mm
- Feature : Durable and Rigid

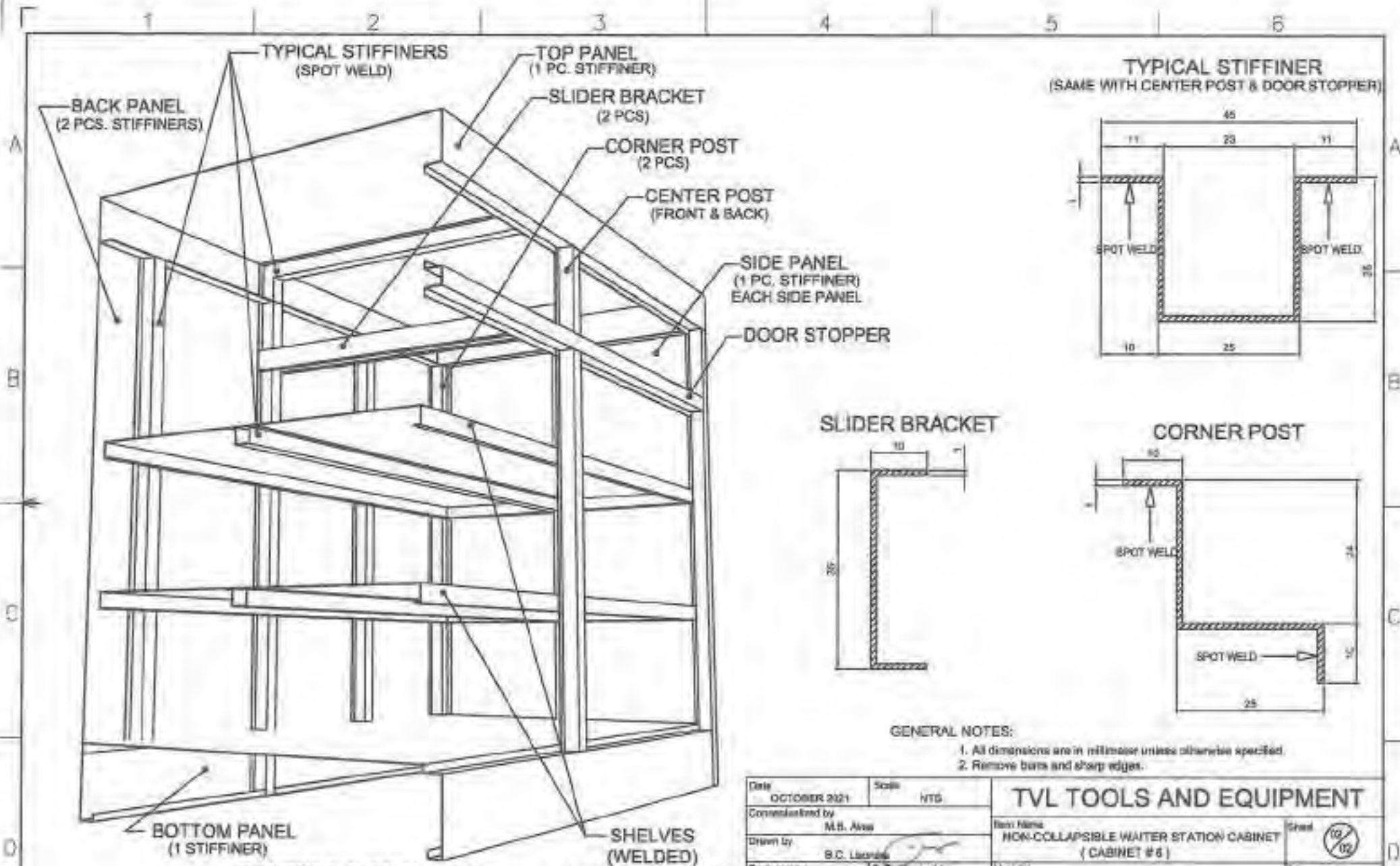
**About Cabinet :**

1. The cabinet is non-collapsible (Assembled Type).
2. It is made of bended and welded stainless steel 304 sheet.
3. 1.00mm thickness stainless steel 304 sheet, then polished.
4. Has 2 stainless steel drawer with stainless steel handle and lock with key.
5. The drawers shall operate smoothly, noise-free and easy for the push and pull operation. (Mounted using spot weld)
6. Has 2 stainless steel doors below the 2 drawers.
7. Each door has stainless steel handles and lock with key.
8. Each door has 2 stainless steel heavy duty self closing invisible spring closer hinges.
9. Has 2 layer permanent shelves.

**GENERAL NOTES:**

1. All dimensions are in millimeter unless otherwise specified.
2. Remove burrs and sharp edges.

Date	OCTOBER 2021	Scale	WTS	<b>TVL TOOLS AND EQUIPMENT</b>	
Conceptualized by	M.B. Ayat				
Drawn by	B.C. Usorera			Non-Collapsible Water Station Cabinet (CABINET # 6)	
Designed by	B.C. Usorera	QC Checked by	J.N. Njage	Material	STAINLESS STEEL 304 SHEET
Recommended by	A.B. Yhafof			File name	CABINET (001) 010
Approved by	R.C. La Ford			 <b>DepED-BLR</b>	



ISOMETRIC SECTION VIEW (WITHOUT DRAWERS & DOORS)

(1 STIFFINER PER SHELF)

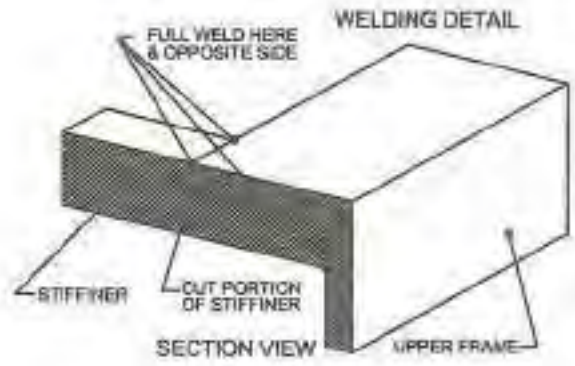
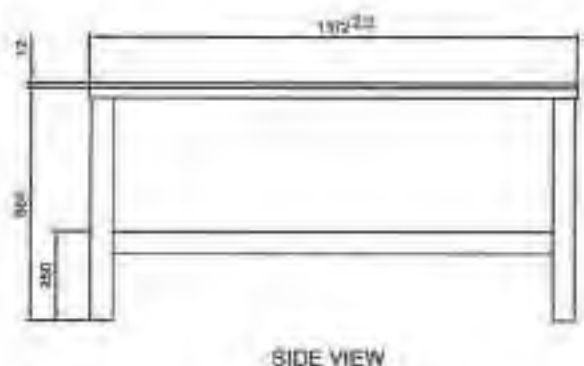
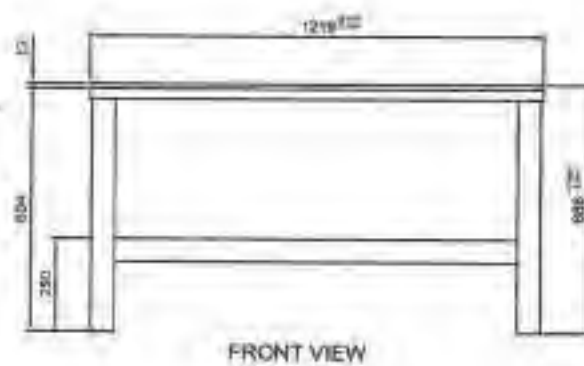
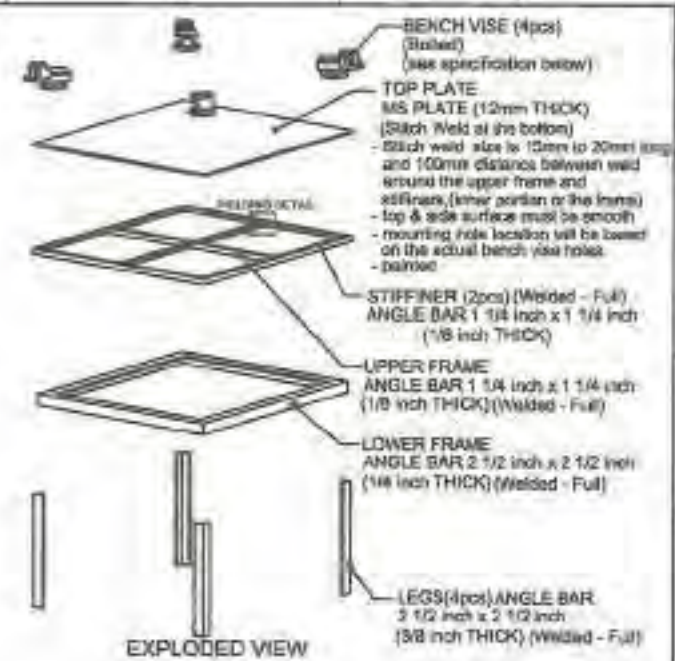
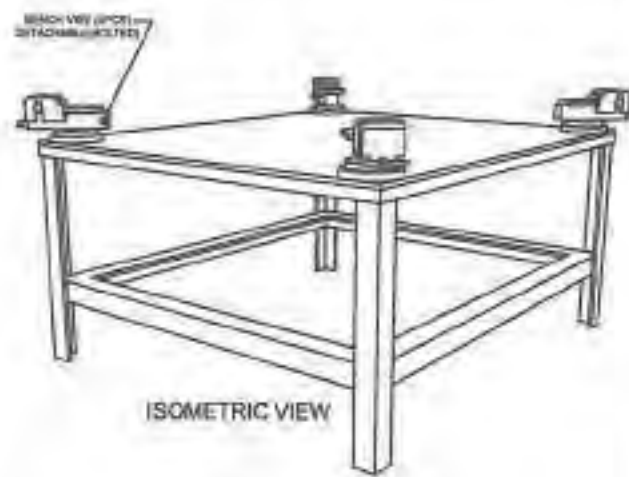
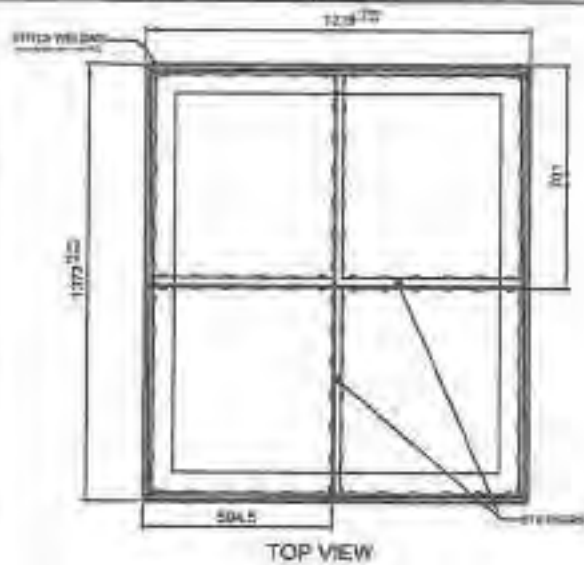
**STIFFINERS :**

1. 1.00mm thickness stainless steel 304 sheet, then polish.
2. Spot weld distance is 100mm.

**GENERAL NOTES:**

1. All dimensions are in millimeter unless otherwise specified.
2. Remove burrs and sharp edges.

Date	OCTOBER 2021	Scale	HTS	<b>TVL TOOLS AND EQUIPMENT</b>	
Consolidated by	M.B. Alon				
Drawn by	B.C. Liranda			Sheet	10/02
Designed by	B.C. Liranda			Material	STAINLESS STEEL 304 SHEET
Q.C. Checked by	J.N. Alon			File name	CABINET020201
Recommended by	A.B. Ybaldo			 <b>DepED-BLR</b>	
Approved by	R.C. La Rosa				



**Description :**

- Color : Gray
- Material : 12mm Thick MS Plate and Angle Bars
- Size : 1,218mm x 1,372mm x 688mm


**Bench Vise Specs :**

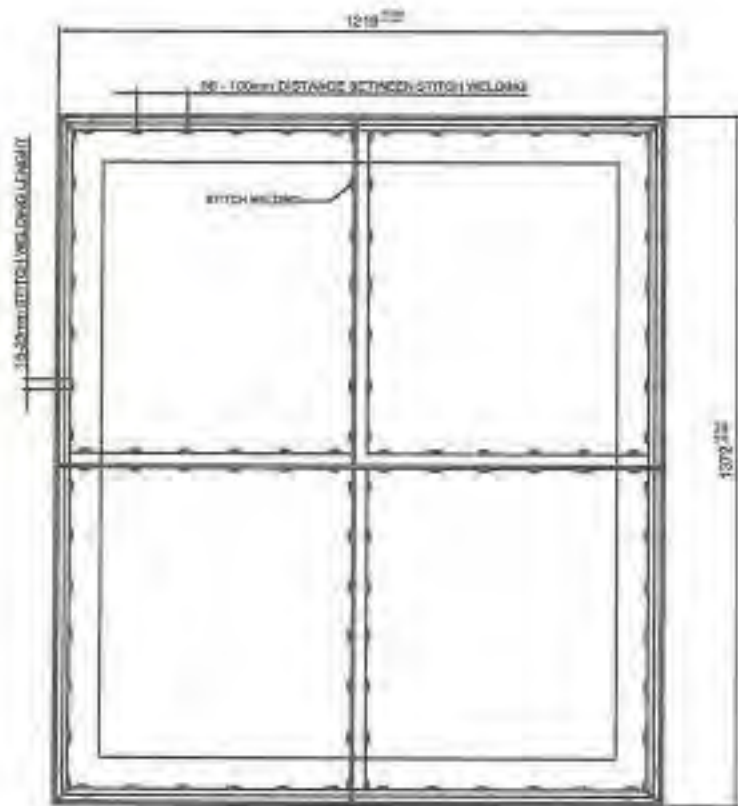
- \* Material : Steel with cast pipe jaws
- \* Max. Jaw Opening : 4 inches (minimum)
- \* Jaw Pad Size : 4in. x 1 1/4in. x 3/4in. (minimum)
- \* Anvil Size : 1 5/8in. x 1 5/8in. (minimum) with Swivel Lock Lever
- \* With Forming Horn
- \* Max. Base Swivel : 270 degree (minimum)
- \* Mounting Holes : at least 3 holes with 3/8 in. mounting bolts & nuts.
- \* Bench vise should be bolted to the Work Bench using 3 sets of bolts & nuts.

- About Work Bench :**
- All metal parts must be welded and ground to smoother surface.
  - All components of the frame must welded in full except the top plate.
  - The entire work bench must painted with acrylic primer paint then coated with color gray acrylic paint (including the top surface).
  - Bench vise will be mounted using bolts and nuts. (Refer to actual bench vise for mounting hole dimensions)
  - Bench vise mounting hole will vary according to the actual holes of the bench vise.

**GENERAL NOTES:**

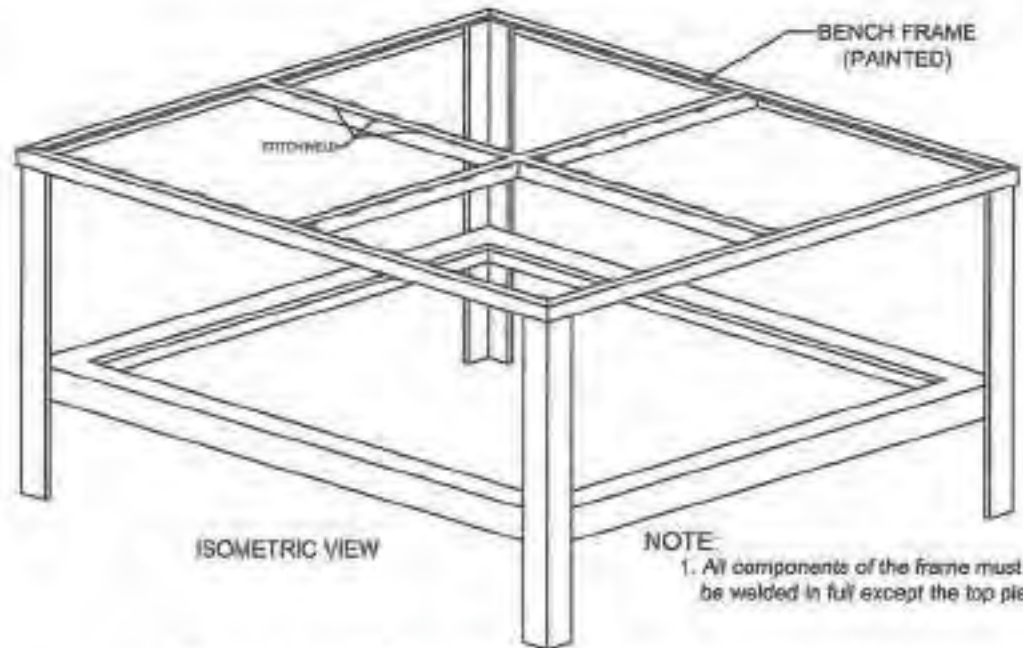
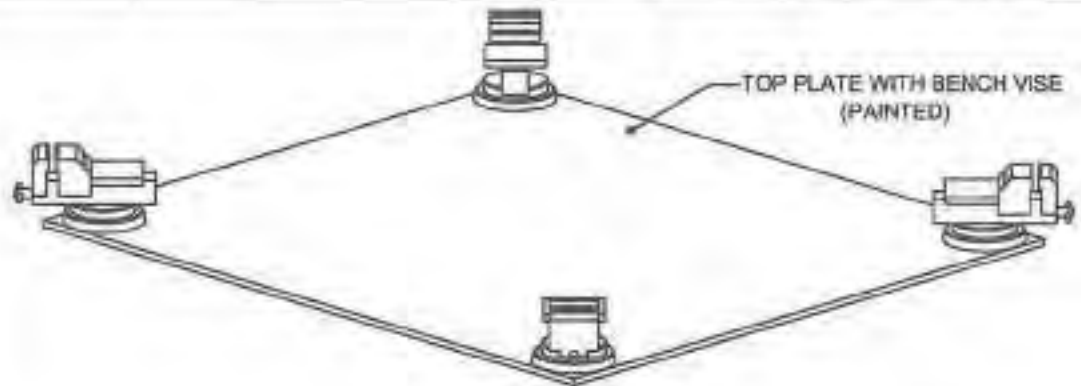
- All dimensions are in millimeter unless otherwise specified.
- Remove burrs and sharp edges.

Date	OCTOBER 2021	Scale	NTS	<b>TVL TOOLS AND EQUIPMENT</b>	
Conceptualized by	D.R. Lianha	Drawn by			
Designed by	B.C. Leonor	Checked by		Material	MS PLATE & ANGLE BARS
Recommended by	A.B. Ybalzo	Approved by		Part Name	WORK BENCH
				 <b>DepED-BLR</b>	



NOTE:  
1. Do not grind stitch weld.

TOP VIEW





ISOMETRIC VIEW

NOTE:  
1. All components of the frame must be welded in full except the top plate.

GENERAL NOTES:

1. All dimensions are in millimeter unless otherwise specified.
2. Remove burrs and sharp edges.

Date	OCTOBER 2021	Scale	NTS	TVL TOOLS AND EQUIPMENT	
Conceptualized by	D.R. Licoria				
Drawn by	B.C. Licoria			WORK BENCH WITH BENCH VISE ON 4 CORNERS	12/02
Designed by	G.C. Theclod by			Material	File name
	B.C. Licoria	J.N. Agala		MS PLATE & ANGLE BARS	WORK_BENCH
Recommended by	A.B. Ybalzo				
Approved by	R.C. La Rosa				
					
				<h1>DepED-BLR</h1>	